

GV-CR1320 2MP H.264 IP Camera Reader



Introduction

GV-CR1320 is a 13.56 MHz reader with a built-in 2 MP camera designed for access control in a network environment.

GV-CR1320 receives identification cards to be transmitted to controllers for access control. With the integration of the wide-angle camera, the Card and Face Mode enables GV-CR1320 to perform face detection together with card verification before access can be granted.

Visitors requesting entry permits can use the touch pad to communicate with security personnel, via VoIP Calls, to be granted access.

VoIP Calls:

When the touch pad is activated, GV-CR1320 will place a call to the operator through the Internet using VoIP. The operator can then communicate with the visitor and enter the access code to open the door.

The all-in-one solution eliminates the need of installing and maintaining a separate camera in addition to the card reader.

For face detection by GV-CR1320, the cardholders must present their faces to the built-in camera directly, without being covered.

4 IN 1
Access controller
with an **Eye**

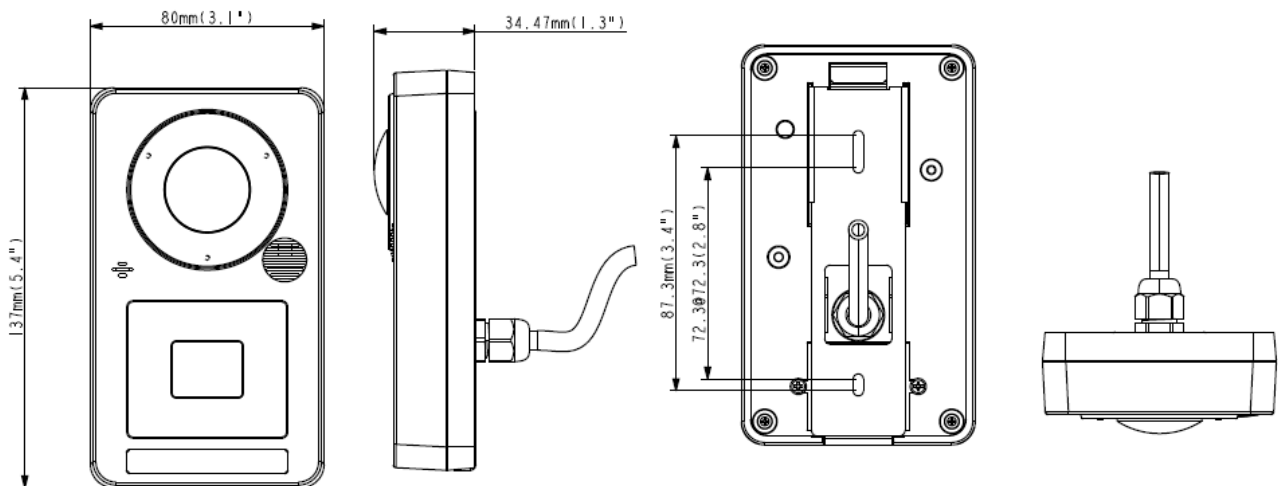
Manage Employees

No Face Wearing a hat/glasses Front Face

ACCESS DENIED **ACCESS DENIED** **ACCESS GRANTED**

No Face, No Access

Dimensions



Key Features

Camera

- 2 MP progressive scan super low lux CMOS
- Minimum illumination at 0.02 lux
- Dual streams from H.264 and MJPEG
- Up to 15 fps at 1920 x 1080
- Day and night function (with removable IR-cut filter)
- Built-in IR with effective distance up to 3 m (9.84 ft)
- Ingress protection (IP66)
- 12V DC, 2.5A / PoE+ (IEEE 802.3at)
- Built-in microphone and speaker
- Wide Dynamic Range (WDR)
- Built-in micro SD card slot
- Provides 180° panorama view

Reader

- 13.56 MHz Reader (Mifare DESFire, MIFARE Plus and MIFARE Classic)
- Support for GV-Proximity Cards with GID (GeoVision Identifier) to enhance security
- Access by card plus face detection
- Network interface for connecting to and access control by controllers
- Support for GV-WTR for connecting to and access control by 3rd-party Wiegand controllers

Access Control

- Enabling different access control modes: Card only mode (default), Card and Face Mode
- Touchpad for talk mode
- Receiving live view and capturing snapshots when card is presented
- SIP/VoIP calling support
- 2 inputs, dry contact
- 1 relay output (30V DC, 0.5A)

Specifications

Camera		
Image Sensor		1/2.8" progressive scan super low lux CMOS
Picture Elements		1920 (H) x 1080 (V)
Minimum Illumination	B/W	0.02 Lux
Shutter Speed		Automatic, Manual (1/5 ~ 1/8000 sec)
White Balance		Automatic, Manual (2800K ~ 8500K)
S/N Ratio		52 db
Lens		
Megapixel		Yes
Day / Night function		Yes (with removable IR-cut filter)
Lens Type		Fixed
Focal Length		1.7 mm
Maximum Aperture		F/2.5
Mount		M12
Image Format		1/2.8"
Horizontal FOV		180°
IR LED Quantity		2
Max. IR Distance		3 m (9.84 ft.)
Operation		
Video Compression		H.264, MJPEG
Video Streaming		Dual streams from H.264 and MJPEG
Video Resolution	Stream 1	1920 x 1080 (16:9)
	Stream 2	640 x 360 (16:9)
Frame Rate		15 fps at 1920 x 1080 * The frame rate and the performance may vary depending on the number of

	connections and data bitrates (different scenes).	
Image Setting	Brightness, Contrast, Saturation, Sharpness, Gamma, White Balance, Image Orientation, Shutter Speed	
Audio Compression	G.711, AAC (Optional)	
Network		
Interface	10/100 Ethernet	
Protocol	DHCP, DynDNS, FTP, HTTP, HTTPS, NTP, PSIA, QoS (DSCP), RTSP, SIP, SMTP, SNMP, TCP, UDP, UPnP, 3GPP/ISMA	
Mechanical		
Local Storage	Micro SD card	
Connectors	Power	2-pin terminal block
	Ethernet	Ethernet (10/100 Base-T), RJ-45 Connector
	Audio	Built-in microphone and speaker
	RS-485	RS-485 +, RS-485 -
General		
Operating Temperature	-20°C ~ 50 °C (-4 °F ~ 122 °F)	
Humidity	10% to 90% (no condensation)	
Power Source	12V DC, 2.5A / PoE+ (IEEE 802.3at)	
Maximum Power Consumption	25.5 W	
Regulatory	CE, FCC, RCM, RoHS compliant	
Dimensions	137 x 80 x 34.5 mm (5.4 x 3.15 x 1.36 in)	
Weight	315 g (0.69 lb)	
Ingress Protection	IP66	
Web Interface		
Installation Management	Web-based configuration	
Maintenance	Firmware upgrade through Web Browser or Utility	
Access from Web Browser	Camera live view, change video quality, bandwidth control, image snapshot, audio, picture in picture, picture and picture	
Language	English / French / Portuguese / Russian / Spanish / Traditional Chinese	
Applications		
Network Storage	GV-DVR / NVR / VMS	
Mobile Phone support	embedded 3GPP/ISMA browser	
Live Viewing	Browser (IE, Edge, Chrome, Firefox)	
Access Control / LPR Management	GV-ASManager	
Reader		
CPU	32-bit RISC microprocessor	
Frequency	13.56 MHz for ISO14443A (Mifare DESFire, Mifare Plus and Mifare Classic)	
RS-485 Interface	1 RS-485 interface for GV-WTR	
TCP/IP Interface	1 TCP/IP interface for GV-AS controller	
Communication Protocol	TCP/IP	
Digital I/O	2 inputs, dry contact NO/NC	
	1 relay output (30V DC, 0.5A)	
Supported ID Formats	GID and UID	

Note:

1. To support face detection function, avoid placing the camera reader where the light source is directly behind the subject.
2. All specifications are subject to change without notice.

Compatible GV-ASManager and GV-AS Controller

- **GV-ASManager:** V5.1.1
- **GV-AS210 / 2110 / 2111:** Firmware version V2.21 or later
- **GV-AS410 / 4110 / 4111:** Firmware version V2.21 or later
- **GV-AS810 / 8110 / 8111:** Firmware version V2.21 or later
- **GV-AS1520:** Firmware version V2.02 or later
- **GV-CS1320:** Firmware version V3.00 or later

Packing List

- GV-CR1320
- Mounting Plate
- Standard Screw x 2
- Plastic Screw Anchor x 2
- Security Screw
- Torx Wrench
- Silica Gel Bag
- Micro SD Card 2 GB (inserted and formatted)
- Download Guide
- Warranty Card

Options

Optional devices can expand the capabilities and versatilities of your GV-AS Controllers. Consult our sales representative for more information.

GV-CS1320	GV-CS1320 is an access controller with a built-in 2 MP camera and 13.56 MHz reader that can manage up to 40,000 access cards and be connected up to 2 extended readers.
GV-AS1520	GV-AS1520 is a controller with built-in Radio Frequency Identification (RFID) reader designed for parking lot management and stores up to 100,000 cards.
GV-AS2120 / 4110 / 4111 / 8110 / 8111	GV-AS series are controllers used to manage up to 4/8 doors via connected readers and have the capability of storing and granting / restricting access for up to 100,000 cards.
Push Button Switch	The push button switch can be integrated with access control system, allowing door exit by momentarily activating or deactivating the electric locking device. Both American standard and European standard push buttons are available.
GV-IB25 / 65 / 85 Infrared Button	The GV-IB25 / 65 / 85 Infrared Button detects infrared movement within 3 to 12 cm and allows you to open the door with a wave of hand.
Electric Lock	Three types of electric locks are available: electromagnetic lock, electric bolt and electric strike.
GV-AS ID Card & GV-AS ID Key Fob	GV-AS ID Cards and GV-AS ID Key Fobs are ideal for business and residential environment, where access control is important for security reasons. 13.56 MHz cards and key fobs are available.
GV-WTR	GV-WTR allows the RS-485 interface of GV-CR1320 to support Wiegand, thereby enabling the camera reader to be connected to GeoVision and/or 3rd party Wiegand-interface controllers.
Power Adapter	Contact our sales representatives for the countries and areas supported.