


BOSCH

Invented for life

VDC-485 & VDN-495 Series Dome Cameras FlexiDome XF & DN



The FlexiDome^{XF} and FlexiDome^{DN} series are the ultimate solutions for virtually any indoor or outdoor surveillance application. These color dome cameras are high-performance, vandal-resistant units with Day/Night capability.

The cast-aluminum housing, polycarbonate dome, and hardened inner liner can withstand the equivalent of 55 kg (120 lbs) of force. The enclosure contains full-featured Day/Night and color cameras with 1/3-inch CCD and integral varifocal lenses. Ideal for outdoor use, the cameras are protected against water and dust to IP 66 (NEMA-4X) standards.

Installation is quick and easy, since the cameras come completely assembled and ready to use. Using the proprietary pan/tilt/rotation mechanism, installers can select the exact field of view. Mounting options are numerous, including surface, 4S (USA), wall, corner and suspended ceiling.

The FlexiDome^{XF} and FlexiDome^{DN} cameras are an ideal solution for many surveillance applications, even under the most challenging lighting conditions. Their compact, sleek design and virtually flush-mount appearance will complement any decor. The camera enclosure provides the extra protection necessary for applications such as in schools, banks, prisons, parking garages, retail and industrial buildings.

- ▶ High impact, vandal-resistant, weatherproof housing
- ▶ True Day/Night and NightSense versions
- ▶ 15-bit DSP technology
- ▶ XF-Dynamic for wide dynamic range
- ▶ 540 TVL color resolution
- ▶ SensUp 10 x extended sensitivity
- ▶ Bilinx bi-directional communication
- ▶ Patented dome shape for 90° vertical view

Functions

Technology

The FlexiDome^{XF} and FlexiDome^{DN} series incorporate the latest technology adopted from the high-performance Dinion^{XF} Color and true Day/Night cameras. This technology ensures the highest possible image quality at all times and under all conditions. Based on a unique combination of 15-bit digital video processing and XF-dynamic, these cameras provide excellent sensitivity, with up to 32 x extended dynamic range. This delivers a sharper, more detailed image with outstanding accuracy in color reproduction.

Operation

The Day/Night model switches automatically from color to monochrome to provide enhanced IR-sensitive night viewing. All cameras feature video motion detection, auto black, default shutter and back light compensation for optimum performance in all lighting conditions. The lens wizard and focus aid make lens adjustment easy and straightforward, and ensure proper focus throughout the 24-hour cycle. All cameras incorporate Bilinx, a technology that allows technicians to set up, control the camera settings, and even update firmware remotely over the video cable.

Controls and Indicators

- OSD
- 5-key operation

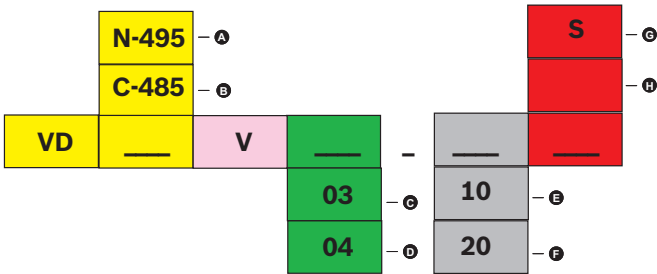
Interconnections

- Video connection BNC on flying lead
- Power connection on flying leads

Certifications and Approvals

Safety	UL 1950; CSA 22.2 No. 950; CE (EN 60950)
Immunity	CE (EN 50130-4)
Emission	CE (EN 50022 class B); FCC, class B part 15
Water/dust protection	IP 66 and NEMA-4X

Installation/Configuration Notes



- | | |
|--|--------------------------|
| A Day/Night | E PAL color or CCIR mono |
| B Color (with NightSense) | F NTSC color or EIA mono |
| C 3–9 mm F1.4
(Day/Night version)
3–9.5 mm F1.0
(Color version) | G Surface mount |
| D 3.7–12 mm F1.6 | H Flush mount |

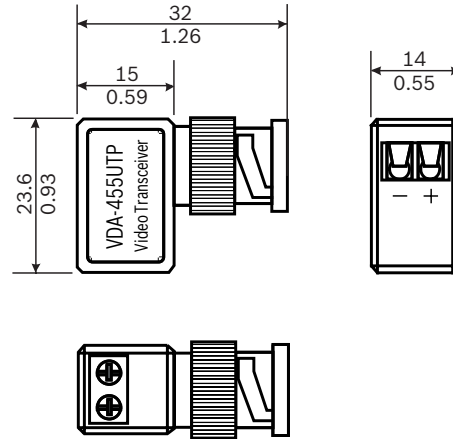
FlexiDomeXF model overview

Model	Standard	Lens
VDC-485V03-10	PAL	3 to 9.5 mm F1.0
VDC-485V03-20	NTSC	3 to 9.5 mm F1.0
VDC-485V04-10	PAL	3.7 to 12 mm F1.6
VDC-485V04-20	NTSC	3.7 to 12 mm F1.6

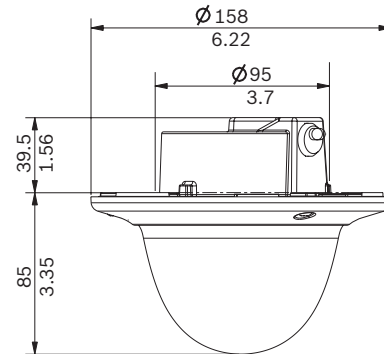
FlexiDomeDN model overview

Model	Standard	Lens
VDN-495V03-10	PAL	3 to 9 mm F1.4
VDN-495V03-20	NTSC	3 to 9 mm F1.4

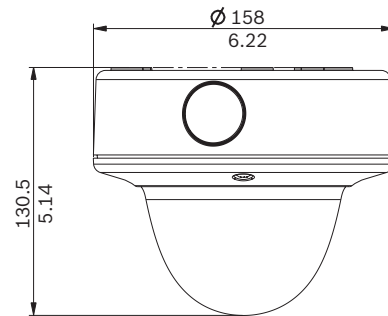
Dimensions in mm (in.) for BNC to UTP transceiver



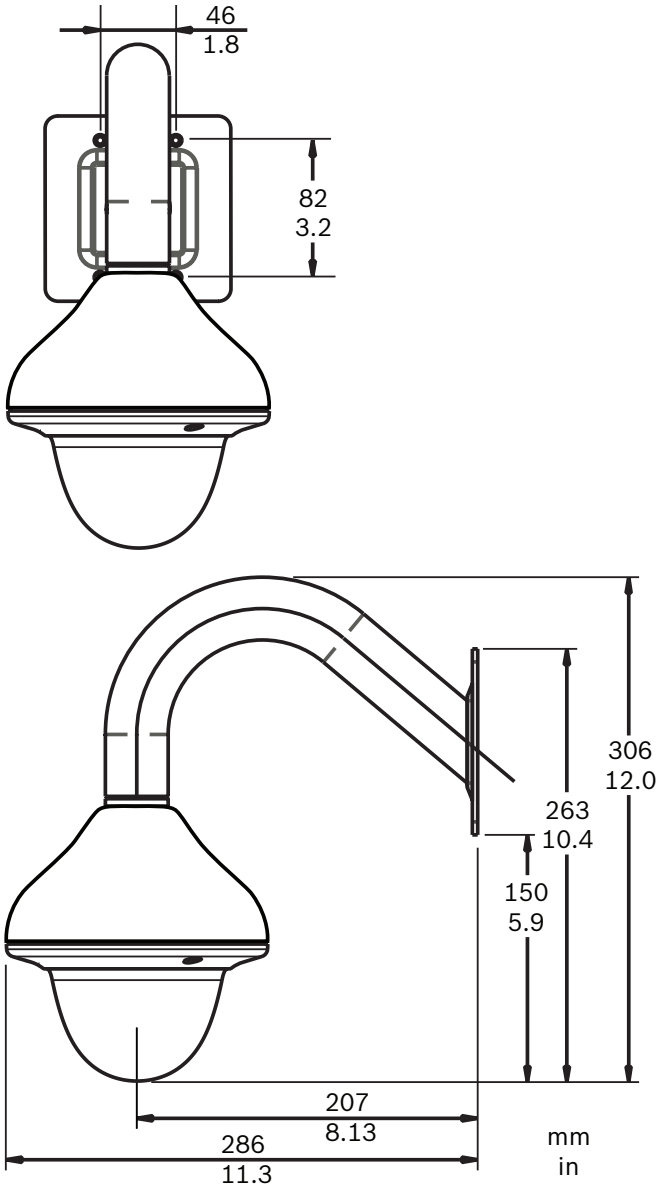
Dimensions in mm (in.) for flush mounting



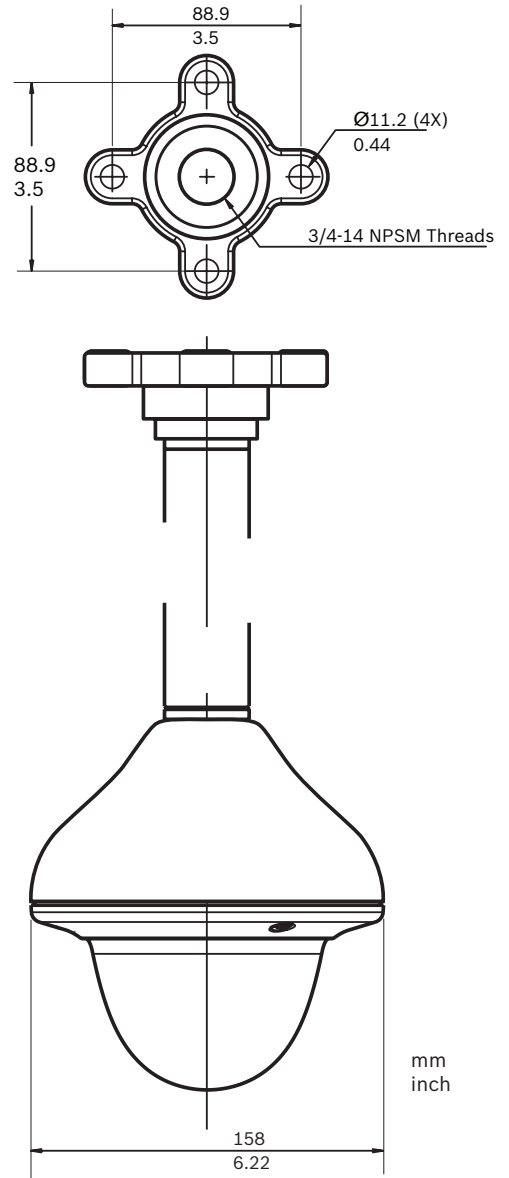
Dimensions in mm (in.) for surface mounting



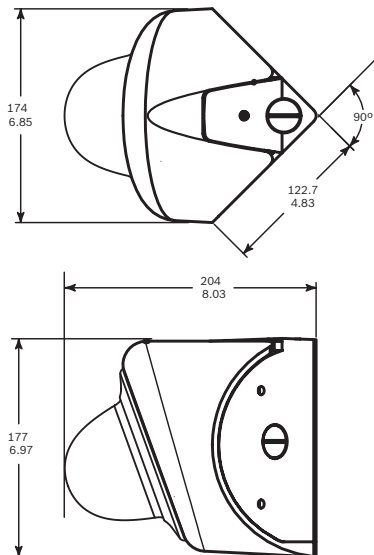
VDA-445WMT dimensions in mm (in.) for wall mounting



VDA-455PMT dimensions in mm (in.) for pendant or pipe mounting



VDA-455CMT dimensions in mm (in.) for corner mounting



Technical Specifications

Electrical

Power supply	
Rated voltage	12 VDC or 24 VAC, 50/60 Hz
Voltage range	10.8 to 39 VDC or 12 to 28 VAC, 45 to 65 Hz
Power consumption	4 W (6 W with heater operating)
Imager	Interline transfer CCD, 1/3-inch image format
Active picture elements	
PAL models	752 H x 582 V
NTSC models	768 H x 494 V

Sensitivity (3200 K)

Model		Usable picture (30 IRE)	Usable picture (50 IRE)	Full video (100 IRE)
Color				
VDC-485V03	Color	0.16 lx (0.015 fc)	0.35 (0.033 fc)	1.4 (0.13)
	Color + 10 x SensUp	0.016 lx (0.0015 fc)	0.035 (0.0033)	0.14 (0.013)
	NightSense	0.056 lx (0.0052 fc)	0.13 (0.012)	0.5 (0.046)
	NightSense+ 10 x SensUp	0.0056 lx (0.00052 fc)	0.013 (0.0012)	0.05 (0.0046)
VDC-485V04	Color	0.4 lx (0.037 fc)	0.9 (0.083)	3.6 (0.33)
	Color + 10 x SensUp	0.04 lx (0.0037 fc)	0.09 (0.0083)	0.36 (0.033)
	NightSense	0.14 lx (0.013 fc)	0.32 (0.03)	1.3 (0.12)
	NightSense+ 10x SensUp	0.014 lx (0.0013 fc)	0.032 (0.003)	0.13 (0.012)
Day/Night				
VDN-495V03	Color	0.32 lx (0.03 fc)	0.69 (0.064)	2.7 (0.26)
	Color + 10 x SensUp	0.032 lx (0.003 fc)	0.069 (0.0064)	0.27 (0.026)
	Mono	0.11 lx (0.01 fc)	0.27 (0.026)	1.1 (0.1)
	Mono + 10 x SensUP	0.011 lx (0.001 fc)	0.027 (0.0026)	0.11 (0.01)

SensUp	Automatic continuous up to 10 x, off selectable
Horizontal resolution	540 TVL
Signal-to-noise ratio	>50 dB
AGC	Auto, maximum level selectable 28 dB
Auto black	On/off selectable
Electronic shutter	Flickerless, on/off, default shutter
NightSense (XF only)	Auto, forced, off selectable
Day/Night (DN only)	Auto, monochrome, color selectable
Dynamic range	32 x dynamic range enhancement
Dynamic noise reduction	Automatic, off, selectable
Sharpness correction	Horizontal and vertical, symmetrical
Backlight compensation	Off, programmable window and level selectable
White balance	Automatic sensing (2500 to 9000 K), AWB hold and manual
Video motion detector	Four (4) areas, sensitivity selectable
Camera ID	16-character editable string, position selectable
Video output	Composite video 1.0 Vpp, 75 ohm
Remote control	Bi-directional coaxial communication
Synchronization	Internal or LineLock*
Connector	Flying leads (through the back)

* LineLock (only when AC-powered) synchronizes the camera to the power line zero crossing for roll-free vertical interval switching. Vertical phase delay can be adjusted (from 0° to 358°) to allow vertical synchronization in multi-phase power installations.

Optical

Varifocal	Manual zoom and focus adjustment
Iris control	Automatic iris control
Viewing angle	
3 to 9 mm	Wide 90.3° x 66.4° (H x V) Tele 31.9° x 23.9° (H x V)
3 to 9.5 mm	Wide 95° x 69° (H x V) Tele 30.2° x 22.6° (H x V)
3.7 to 12 mm	Wide 76.1° x 55.8° (H x V) Tele 23.8° x 17.9° (H x V)

Mechanical

Dimensions	See drawing
Weight	740 g (1.63 lb)
Mounting	Flush on hollow surface with three (3) screws in a 4S electrical box
Color	White (RAL9010) trim ring with black inner liner
Adjustment range	360° pan, 90° tilt, ±90° azimuth
Dome bubble	Polycarbonate, clear with UV blocking anti-scratch coating
Trim ring	Aluminum

Environmental

Operating temperature	-50 °C to +50 °C (-58 °F to +122 °F) (with heater 'ON')
Storage temperature	-40 °C to +70 °C (-40 °F to +158 °F)
Humidity	5% to 93% relative humidity
Impact protection	IEC 60068-2-75 test Eh, 50 J EN 50102, exceeding IK 10

Ordering Information

Model & Description	
VDC-485V03-10 Vandal Resistant Color Model	1/3-inch, PAL color, 540 TVL, 12 VDC/24 VAC, 50 Hz, w/3-9.5 mm F1.0 Varifocal lens, white
VDC-485V03-20 Vandal Resistant Color Model	1/3-inch, NTSC color, 540 TVL, 12 VDC/24 VAC, 60 Hz, w/3-9.5 mm F1.0 Varifocal lens, white
VDC-485V04-10 Vandal Resistant Color Model	1/3-inch, PAL color, 540 TVL, 12 VDC/24 VAC, 50 Hz, w/3.7-12 mm F1.4 Varifocal lens, white
VDC-485V04-20 Vandal Resistant Color Model	1/3-inch, NTSC color, 540 TVL, 12 VDC/24 VAC, 60 Hz, w/3.7-12 mm F1.4 Varifocal lens, white
VDN-495V03-10 Vandal Resistant Day/Night Model	1/3-inch, PAL D/N, 540 TVL, 12 VDC/24 VAC, 50 Hz, w/3-9 mm F1.4 Varifocal lens, white
VDN-495V03-20 Vandal Resistant Day/Night Model	1/3-inch, NTSC D/N, 540 TVL, 12 VDC/24 VAC, 60 Hz, w/3-9 mm F1.4 Varifocal lens, white
Accessories	
VDA-455SMB	Surface mount box, high impact
VDA-455UTP	Adaptor for UTP twisted pair output
VDA-445WMT	Wall mounting bracket
VDA-455PMT	Pendant pipe mount
VDA-455CMT	Corner mounting bracket for interior corner
VP-CFGSFT	Configuration software, including VP-USB adaptor for Bilinx
S1460	Service/Monitor cable (2.5 mm connector to BNC), 1 m
TC220PSX-24 Power Supply Unit	230 VAC/20 VAC, 50 Hz, 20 VA
TC220PS Power Supply Unit	230 VAC/15 VDC, 50 Hz, 10 VA
TC1334 Power Supply Unit	120 VAC/24 VAC, 60 Hz, 30 VA
TC24PS Power Supply Unit	24 VAC/15 VDC, 50/60 Hz, 9 VA

Europe, Middle East, Africa:

Bosch Security Systems B.V.
P.O. Box 80002
5600 JB Eindhoven, The
Netherlands
Phone:+31 (0) 40 27 83955
Fax:+31 (0) 40 27 86668
emea.securitysystems@bosch.com
<http://www.boschsecurity.com>

Americas:

Bosch Security Systems
130 Perinton Parkway
Fairport, New York, 14450, USA
Phone:+1 800 289 0096
Fax:+1 585 223 9180
security.sales@us.bosch.com
<http://www.boschsecurity.us>

Asia-Pacific:

Bosch Security Systems Pte Ltd
38C Jalan Pemimpin
Singapore 577180
Phone:+65 6319 3450
Fax:+65 6319 3499
apr.securitysystems@bosch.com
<http://www.boschsecurity.com>

Represented by