

EH3512/EH3515 Series Enclosure

OUTDOOR, SMALL

Product Features

- Low Cost
- Small, Contemporary Design
- Die-Cast and Extruded Aluminum Construction
- Forward-Opening Hinged Lid
- Rear Link-Lock Latch
- Cable Entry Glands and Mounting Holes on Bottom of Enclosure
- Designed for Indoor/Outdoor Applications
- Easy Access for Servicing and Installation
- Models Available with Factory-Installed Low Power Heater, Blower and Defroster, or with Heater and Defroster



EH3512 ENCLOSURE WITH SUN SHROUD AND EM3512 MOUNT

The **EH3512/EH3515 Series** are indoor/outdoor, low cost camera enclosures constructed from die cast and extruded aluminum. The **EH3512** has a lower body length of 12.75 inches (32.38 cm) and the **EH3515** has a lower body length of 15.75 inches (40.00 cm).

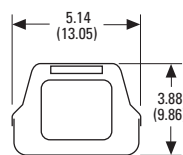
These enclosures are for use with cameras having fixed focal length lenses or motorized zoom lenses (with or without auto iris operation).

The front hinged lid provides easy access to the removable camera sled. Two adjustable (PG13.5) glands on the bottom of the enclosure allow for easy installation of the power and video cables. The rear link-lock latch can be used with a padlock of suitable size to secure the enclosure.

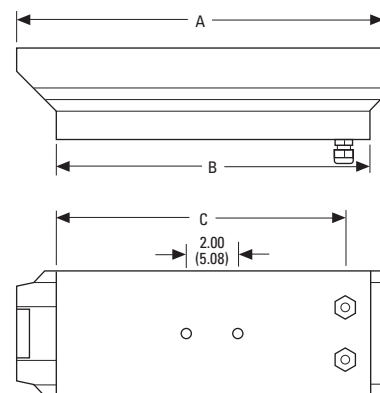
Field-installed options include heater-defroster, blower, and sun shroud. The enclosures can also be factory-ordered with a low power 24V, 120V, or 230V heater-defroster and blower or heater-defroster only.

The **EH3512** and **EH3515** are ideal for small-to-medium cameras and can be mounted to either our PT270/PT280 Series (indoor) or PT570/PT680 Series (outdoor) pan/tilts, or any compatible mount.

An EH-MKIT marine kit is available for EM1512 and EM1450 wall mounts. The marine kit protects enclosures and wall mounts from galvanic corrosion.



	EH3512	EH3515
A	14.75 (37.47)	17.75 (45.09)
B	12.75 (32.38)	15.75 (40.00)
C	11.25 (28.57)	14.25 (36.20)



NOTE: VALUES IN PARENTHESES ARE CENTIMETERS; ALL OTHERS ARE INCHES.



TECHNICAL SPECIFICATIONS

MODELS

Model Number	Basic Enclosure	120 VAC	24 VAC	230 VAC	Heater	Defroster	Blower	Max. Power Consumption*
EH3512	•							
EH3512-1		•			•	•	•	25 W
EH3512-2			•		•	•	•	20 W
EH3512-3				•	•	•	•	43 W
EH3512-1HD		•			•	•		25 W
EH3512-2HD			•		•	•		20 W
EH3512-3HD				•	•	•		43 W
EH3515	•							
EH3515-1		•			•	•	•	25 W
EH3515-2			•		•	•	•	20 W
EH3515-3				•	•	•	•	43 W
EH3515-1HD		•			•	•		25 W
EH3515-2HD			•		•	•		20 W
EH3515-3HD				•	•	•		43 W

*Maximum power consumption does not include camera wattage.

MECHANICAL

Camera Mounting	Multiple holes on adjustable camera sled; camera sled can be inverted for additional camera elevation
Maximum Camera Size	Accepts camera and lens combinations* (including BNC connector) up to 3.12" W x 3.00" H (7.92 x 7.62 cm) and the following length: EH3512 10.25" (26.03 cm) EH3512-1/-2/-3 9.00" (22.86 cm) EH3512-1HD/-2HD/-3HD 10.00" (25.40 cm) EH3515 13.25" (33.66 cm) EH3515-1/-2/-3 12.00" (30.48 cm) EH3515-1HD/-2HD/-3HD 13.00" (33.02 cm)
Viewing Window	0.187-inch (4.76 mm) thick, Lexan®
Viewing Window Area	EH3512/EH3515 2.25" H x 2.63" W (5.71 x 6.68 cm) All Other Models 2-inch (5.08 cm) diameter circle
Cable Entry	Two PG13.5 compression glands on bottom; 0.47-inch (1.19 cm) maximum cable diameter
Cable Entry Holes	0.875-inch (2.22 cm) diameter; will accept 0.5-inch (1.27 cm) conduit fitting when compression gland is removed
Latch	Link-lock No. 3, stainless steel; can be secured with padlock (not supplied)

*Assumes lens is fully extended.

GENERAL

Construction	Extruded and die-cast aluminum
Finish	Gray polyester powder coat
Environment	Indoor/outdoor -10° to 120°F (-23° to 49°C)

Unit Weight	Basic Model	All Others
EH3512	3.49 lb (1.58 kg)	3.85 lb (1.75 kg)
EH3515	4.10 lb (1.86 kg)	4.47 lb (2.03 kg)
Shipping Weight	Basic Model	All Others
EH3512	5 lb (2.26 kg)	5 lb (2.26 kg)
EH3515	5 lb (2.36 kg)	6 lb (2.72 kg)

CERTIFICATIONS/RATINGS/PATENTS

- CE compliant
- UL/cUL Listed
- Meets NEMA Type 4 standards
- Meets IP66 standards
- U.S. Patent 307,915

OPTIONAL ACCESSORIES

Blower Kit	BK3512-1	For EH3512/EH3515; continuous duty, 120 VAC, 4 W, 10 cfm at 60 Hz
	BK3512-2	For EH3512/EH3515; continuous duty, 24 VDC (AC rectified), 2 W, 19 cfm at 50/60 Hz
	BK3512-3	For EH3512/EH3515; continuous duty, 230 VAC, 9 W, 8 cfm at 50 Hz
Heater-Defroster†	HD35-1	For EH3512 only; 120 VAC, 25 W
	HD35-2	Same as HD35-1 except 24 VAC, 20 W
	HD35-3	Same as HD35-1 except 230 VAC, 43 W
	HD3515-1	For EH3515 only; 120 VAC, 25 W
	HD3515-2	Same as HD3515-1 except 24 VAC, 20 W
	HD3515-3	Same as HD3515-1 except 230 VAC, 43 W
Marine Kit	EH-MKIT	Requires EM1450 wall mount
Sun Shroud	SS3512	For EH3512 Series enclosure
	SS3515	For EH3515 Series enclosure

†Thermostatically controlled heater activates on at 50°F (10°C); off at 80°F (27°C). Defroster operates continuously.

RECOMMENDED MOUNTS

Pedestal	EM1009U,	Medium duty pedestal mount; maximum load 40 lb (18.14 kg)
	EM1015U	
	MM22	
Wall	EM1450	Light duty wall mount; maximum load 20 lb (9.07 kg)
	EM2400	
	EM3512	
Pipe/Pole	EM1900U	Medium duty wall mount; maximum load 40 lb (18.14 kg)
	EM22	
	EM1109, EM2000, EM2200	

RECOMMENDED PAN AND TILTS

PT270-24P	Light duty, indoor pan/tilt
PT280-24P	Light duty, indoor pan/tilt with prewired feedthrough
PT570 Series	Medium duty, indoor/outdoor pan/tilt
PS20 Series	Medium duty, indoor/outdoor scanner

Pelco, Inc. Worldwide Headquarters:

3500 Pelco Way, Clovis, California 93612-5699 USA

USA & Canada Tel: (800) 289-9100 • FAX: (800) 289-9150

International Tel: +1 (559) 292-1981 • FAX: +1 (559) 348-1120

www.pelco.com

Pelco and the Pelco logo are registered trademarks of Pelco, Inc., All product names and services identified throughout this document are trademarks or registered trademarks of their respective companies. The absence of a trademark or registered trademark from this document does not constitute a waiver of intellectual property rights. Product specifications and availability subject to change without notice.

©Copyright 2009, Pelco, Inc. All rights reserved.