

For Security

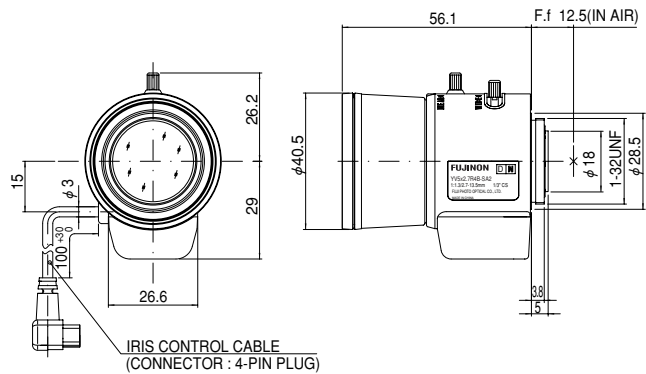
1/3" VARI-FOCAL

Day and Night
Vari-Focal
Auto Iris
DC Type

FUJINON CCTV LENS

YV5×2.7R4B-SA2

Using
Aspherical Lens



Unit : mm

Model		YV5 × 2.7R4B-SA2	
Focal Length		2.7mm ~ 13.5mm (5×)	
Iris Range		F1.3 ~ T360 (Equivalent to F360)	
Operation	Iris	Auto (DC Type) (*1)	
	Focus	Manual	
	Zoom	Manual	
Angle Of View (H × V)	1/3"	Wide	99°42' × 74°17'
		Tele	20°37' × 15°30'
	1/4"	Wide	74°17' × 55°26'
		Tele	15°30' × 11°38'
Focusing Range (From Front Of The Lens)		∞ ~ 0.3m	
Object Dimensions at M.O.D. (H × V)	1/3"	Wide	741mm × 473mm
		Tele	115mm × 86mm
	1/4"	Wide	473mm × 328mm
		Tele	86mm × 64mm
Back Focal Distance (in air)		8.91mm	
Exit Pupil Position (From Image Plane)		96mm	
Filter Thread		—	
Mount		CS Mount	
Mass		70g	
Coil Resistance		Drive Coil	200 Ω
		Damping Coil	720 Ω
Current Consumption		22mA (Max.) at 4V DC	
Remarks		<ul style="list-style-type: none"> • With Metal Mount (*1) When power is turned off, iris will automatically be closed. ⟨Available⟩ Long Cable Type (ℓ =230mm) YV5 × 2.7R4B-SA2L 	

