

Surveillance System

Installation Guide V8.5



Before attempting to connect or operate this product,
please read these instructions carefully and save this manual for future use.



© 2010 GeoVision, Inc. All rights reserved.

Under the copyright laws, this manual may not be copied, in whole or in part, without the written consent of GeoVision.

Every effort has been made to ensure that the information in this manual is accurate. GeoVision, Inc. makes no expressed or implied warranty of any kind and assumes no responsibility for errors or omissions. No liability is assumed for incidental or consequential damages arising from the use of the information or products contained herein. Features and specifications are subject to change without notice.

GeoVision, Inc.
9F, No. 246, Sec. 1, Neihu Rd.,
Neihu District, Taipei, Taiwan
Tel: +886-2-8797-8377
Fax: +886-2-8797-8335
<http://www.geovision.com.tw>

Trademarks used in this manual: *GeoVision*, the *GeoVision* logo and *GV* series products are trademarks of GeoVision, Inc. *Windows* and *Windows XP* are registered trademarks of Microsoft Corporation.

July 2011

Contents

Important Notice for V8.5.....	1
---------------------------------------	----------

Important Notice before Using GV-Video Capture Card	2
------------------------------------------------------------------	----------

Chapter 1 Video Capture Cards	5
--------------------------------------------	----------

1.1 GV-4008	6
1.2 GV-4008A.....	15
1.3 GV-3008	21
1.4 GV-1120A, 1240A, 1480A	28
1.5 GV-1008	38
1.6 GV-900A.....	45
1.7 GV-650A, GV-800A.....	51
1.8 GV-600A.....	59
1.9 GV-600B, GV-650B, GV-800B	66
1.10 Installing Two Cards.....	73
1.11 Installing Drivers.....	75
1.12 Comparison Chart (H/W Compression).....	76
1.13 Comparison Chart (S/W Compression: Single Card)	79
1.14 Comparison Chart (S/W Compression: Two Cards).....	82

Chapter 2 Hardware Accessories	85
---------------------------------------------	-----------

2.1 GV-Multi Quad Card.....	86
2.2 GV-Loop Through Card	90
2.3 GV-NET Card V3.1.....	93
2.4 GV-NET/IO Card V3.1	96
2.5 GV-Hub V2	106
2.6 GV-COM V2	110
2.7 GV-I/O 12-In Card V3.....	113
2.8 GV-I/O 12-Out Card V3	116
2.9 GV-I/O Box (16 Ports)	119
2.10 GV-I/O Box (8 Ports)	126
2.11 GV-I/O Box (4 Ports)	133
2.12 Accessing GV-I/O Box over Networks.....	139

2.13	Installing USB Driver	150
Chapter 3	Software Installation	151
3.1	Before You Start	152
3.2	Installing the System.....	153
3.3	Program List	155
Chapter 4	Screen Overview.....	157
4.1	Main System.....	158
4.2	ViewLog.....	160
4.3	SingleView Viewer.....	163
4.4	MultiView Viewer	164
4.5	Center V2	166
4.6	Control Center Toolbar.....	168
	Troubleshooting	169

Important Notice for V8.5

GPU Decoding Specifications

In V8.5, support for GPU (Graphics Processing Unit) decoding is added to lower the CPU loading and to increase the total frame rate supported by a GV-System. GPU decoding only supports the following software and hardware specifications:

Software Specifications

	Supported	Not Supported
Operating System	Windows Vista (32-bit) / 7 (32 / 64-bit) / Server 2008 R2 (64-bit)	Windows 2000 / XP / Server 2008 (32 / 64-bit)
Resolution	1 M / 2 M	CIF / VGA / D1 / 3M / 4M / 5M
Codec	H.264	MPEG4 / MJPEG
Stream	Single Stream	Dual Stream

Note: To apply GPU decoding, the recommended memory (RAM) requirements is 8 GB or more for 64-bit OS and 3 GB for 32-bit OS.

Hardware Specifications

Motherboard	Sandy Bridge chipset with onboard VGA (external VGA cannot be installed) Ex: Intel® Q67, H67, H61, Q65, B65, Z68 Express Chipset.
--------------------	--------------------------------------------------------------------------------------------------------------------------------------

Multi-Channel Playback Specifications

In V8.5, multi-channel playback in ViewLog has been enhanced to improve the smoothness of the video by producing higher frame rate. However, playing back multiple channels at high resolution can increase the CPU loading especially if the GV-System is processing other tasks simultaneously. As a result of the high CPU loading, dropped frames may sometimes occur in recorded video when playing back multiple megapixel channels.

To avoid the problem, **it is recommended to play back megapixel video in single view.**

Important Notice before Using GV-Video Capture Card

1. Exclusions:

- Currently GV-Video Capture Cards are not compatible with **VIA-series**, **ATI-series** chipset motherboards.

If your GV-Video Capture Card or GV-System works in conjunction with the following GV accessories, note the limitation that **these accessories do not support 64-bit Windows versions currently: GV-Multi Quad Card, GV-Keyboard V1 / V2.**

2. Hard Disk Requirements:

- It is strongly recommended to use two separate hard disks. One is for installing Windows operating system and GV-System software, and the other is for storing recorded files.
- The total of recording frame rates that you can assign to a single hard disk is listed as below:

Frame rate limit in a single hard disk when connecting to analog cameras

■ Software Compression

Video resolution	MPEG4	
	NTSC	PAL
CIF	480 fps	400 fps
VGA/D1	240 fps	200 fps
Turbo VGA	416 fps	400 fps
Turbo D1	352 fps	320 fps

■ Hardware Compression

Video resolution	H.264	
	NTSC	PAL
D1	240 fps	200 fps

Frame rate limit in a single hard disk when connecting to IP cameras

Video Resolution	MJPEG		H.264		MPEG4	
	Frame Rate	Bit Rate	Frame Rate	Bit Rate	Frame Rate	Bit Rate
2560x1920 (5M)	30 fps	102.26 Mbit/s	240 fps	21.24 Mbit/s		
2560x1600 (4M)	60 fps	73.49 Mbit/s	240 fps	15.28 Mbit/s		
2048x1536 (3M)	60 fps	64.73 Mbit/s	480 fps	10.52 Mbit/s		
1600x1200 (2M)	120 fps	41.16 Mbit/s	480 fps	9.16 Mbit/s		
1280x960 (1.3M)	200 fps	30.04 Mbit/s	480 fps	5.77 Mbit/s	480 fps	6.30 Mbit/s
640x480 (VGA)	480 fps	11.42 Mbit/s	640 fps	2.54 Mbit/s	640 fps	3.27 Mbit/s
320x240 (CIF)	480 fps	5.16 Mbit/s	640 fps	0.75 Mbit/s	640 fps	1.03 Mbit/s

Note: The above data was determined using the bit rate listed above and hard disks with average R/W speed above 80 MB/s.

The frame rate limit is based on the resolution of video sources. The higher video resolutions the lower frame rates you can assign to a single hard disk. In other words, the higher frame rates you wish to record the more hard disks you need to install. For the information of recording frame rates, you may consult the user's manual of the GV-System or the IP camera that you wish to connect to.

- The hard disk space required to install GV-System must be at least 1 GB.
- To use Advance Video Analysis, at least 1 GB of memory is required.
- To use two or more of the following functions simultaneously, at least 2 GB of memory is required: Advance Video Analysis, Video Analysis, IP Camera and Pre-Record by Memory.

3. CPU Requirements:

- For recording resolution of 640 x 480 or above, Pentium 4 processor with Hyper Threading is required.

4. Default Settings:

- For software recording rates, all GV Cards are set to CIF. For hardware recording rates, GV-4008A / 4008 / 3008 Card is set to D1.

5. The Card with PCI-E Interface:

- All GV-Video Capture Cards with PCI-E Interfaces have x1 interface which can be inserted into the PCI Express x1, x4, x8 or x16 slot.

6. GV-600A, GV-650A and GV-800A:

- Starting from V8.3.2, GV-600 (V4), GV-650 (V4) and GV-800 (V4) are renamed to GV-600A, GV-650A and GV-800A. These V4 Cards and A Cards are the same video capture cards.

7. End of Support:

- Starting from V8.3, GV-System will not support **GV-250 Card, GV-Hybrid DVR (MPEG2) Card and GV-DSP Card.**
- Starting from V8.3.2, GV-System will not support **GV-2004 Card.**
- Starting from V8.3.2, GV-System will not support **MPEG2** codec.
- Starting from V8.3.3, GV-System will not support **GV-2008 Card.**
- Starting from V8.4, GV-System will not support **Windows 2000.**

Chapter 1 Video Capture Cards

This chapter includes the following information:

- **Minimum system requirements**
- **Packing list**
- **Connection diagrams**
- **Specifications**
- **Driver installation**
- **Comparison chart**

1.1 GV-4008

The GV-4008 Card provides up to 8 video and 8 audio channels, recording up to 240 / 200 fps (NTSC / PAL) in total with H.264 hardware compression. The new technology of resolution is employed to enhance the live image of D1 without DSP Overlay. Even in screen divisions, the largest division can remain at the high-quality D1 resolution.

Minimum System Requirements

OS	32-bit	Windows XP / Windows Vista / Windows 7 / Windows Server 2008	
	64-bit	Windows 7 / Windows Server 2008	
CPU	GV-4008	Core 2 Duo, 2.33 GHz	
	GV-4008 x 2	Core 2 Quad, 2.4 GHz	
RAM	GV-4008	2 x 1 GB Dual Channels	
	GV-4008 x 2		
HDD	GV-4008	250 GB	
	GV-4008 x 2	500 GB	
VGA	ATI Radeon X1300 PCI-E / NVIDIA GeForce 7300 PCI-E		
DirectX	9.0c		
Power Supply	400 Watts		

Packing List

1. GV-4008 Card x 1
2. 1-8 Cam Audio BNC Cable with BNC Male to RCA Female Adaptors x 1
3. 1-8 Cam Video BNC Cable x 1
4. Hardware Watchdog Jumper Wire x1
5. SATA Power Converter Cable x 1
6. USB Dongle x 1
7. Software DVD x 1
8. Surveillance System Quick Start Guide x 1

Connecting One GV-4008 Card

- Connect the video and audio cables to the GV-4008 Card.
- Using the supplied SATA Power Converter Cable, connect the GV-4008 Card to power supply. The Power LED in the top right corner should be lit in green and the 4 status LEDs (D3, D9, D14, D18) in the left corner should be lit in green to indicate the normal functionality.

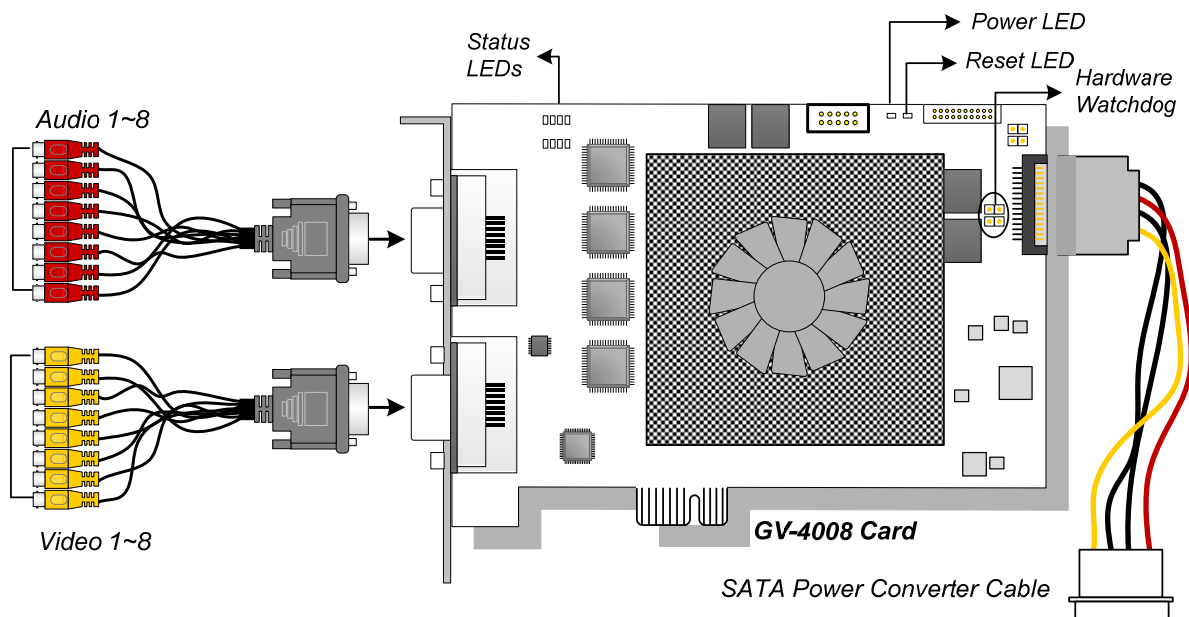
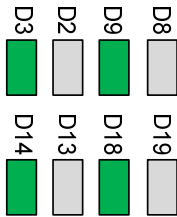


Figure 1-1

Note:

1. The GV-4008 Card only works when the supplied USB Dongle is inserted to PC.
2. The GV-4008 Card cannot work with microphones which acquire power from the PC. Use microphones which have external power supply.

Connecting Two GV-4008 Cards

You can install two GV-4008 Cards for a total of 16 channels. Master Card is the card with 1-8 channels and Slave Card is that with 9-16 channels. Normally, the card attached to the lower PCI slot number will act as Master, and the card attached to the higher PCI slot number will act as Slave.

- **Hardware Watchdog Connection:** Connect the supplied Hardware Watchdog Jump Wire to the Master Card only (Figure 1-3).
- **Accessory Card Connections:** To work together with GV-4008 Cards, GV-NET/IO Card V3.1 must be set in the I/O Box Mode and connected to the PC through USB.

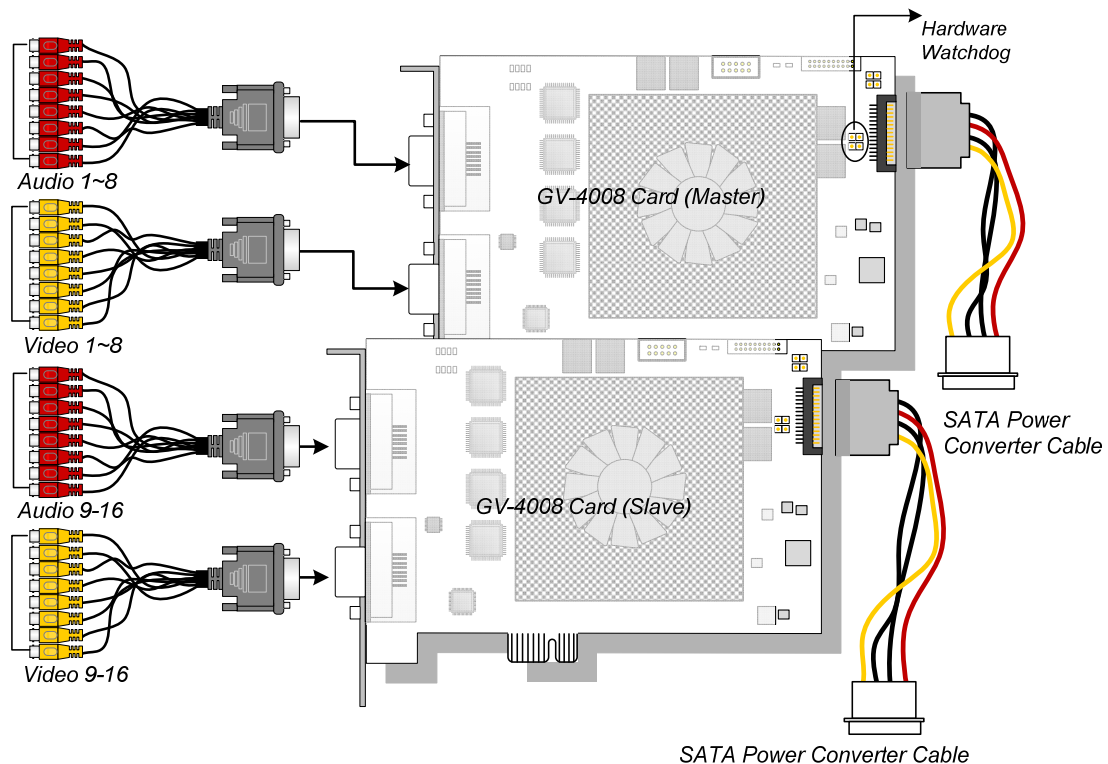


Figure 1-2

Connecting Hardware Watchdog

Insert the Hardware Watchdog Jumper Wire to the 2-pin connectors on the Card. The (+) pin on the Card must connect to the Reset (+) pin on the motherboard, and the (-) pin on the Card to the Ground (-) pin on the motherboard. Ensure the connection is correct; otherwise the hardware watchdog will be damaged.

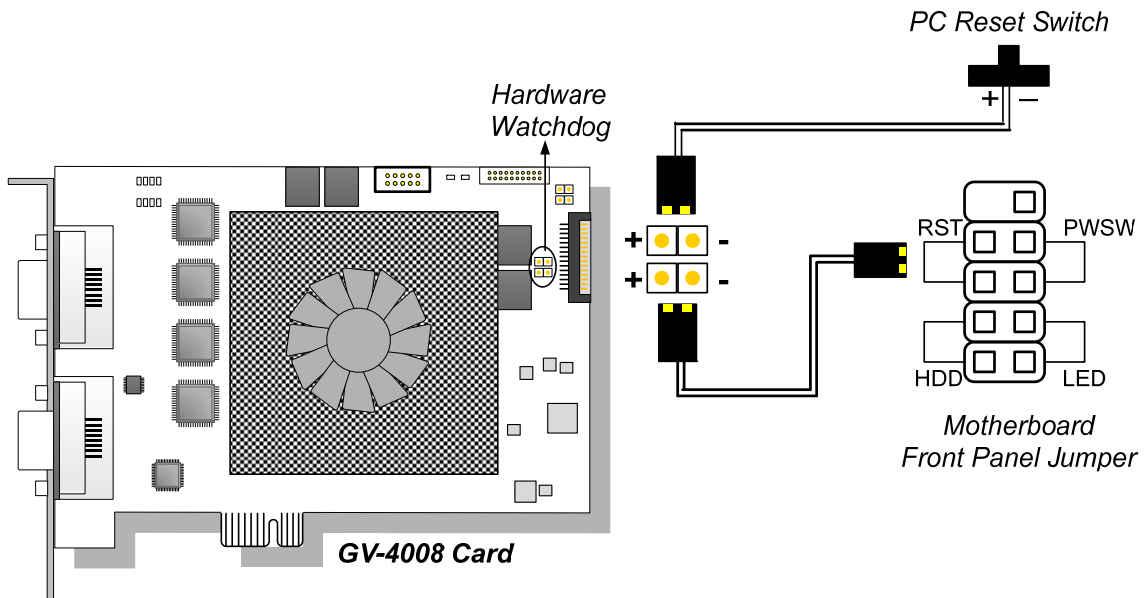


Figure 1-3

Note: To locate the motherboard's Reset (+) pin and (-) pin, please refer to the motherboard's user manual.

Installing Drivers

After installing the GV-4008 Card in the computer, insert the software DVD to install GV-Series drivers. The DVD will run automatically and an installation window will pop up. Select **Install or Remove GeoVision GV-Series Driver**, and select the following two options to install card and USB dongle drivers.

- **Install or Remove GeoVision GV-Series Card Drivers:** installs card drivers.
- **Install GeoVision USB Device Drivers:** installs USB dongle drivers.

Note: For the installation of two GV-4008 cards, it is required to restart the computer after the driver is installed.

To verify the drivers are installed correctly, go to Windows Device Manager and see if their entries are listed. The image below is an example of installing one GV-4008 card.

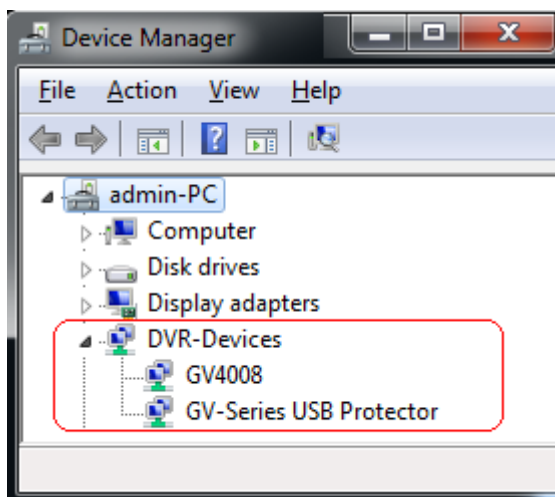


Figure 1-4

Expand the **DVR-Devices** field, you can see:

GV-4008 Card	Entry
Single-card mode	GV4008
	GV-Series USB Protector
Two-card mode	GV4008
	GV4008
	GV-Series USB Protector

Troubleshooting Power Supply Issues

When the **Reset LED** on the top of the Card is flashing red color or the four **Status LEDs** are not all on, it indicates that the GV-4008 Card is short of power supply. Make sure your power supply is of 400 watts at least. If not, replace it with the power supply of 400 or larger watts. The power supply issues should be solved.

Adjusting the Video Settings in the Main System

One distinct feature of GV-4008 Cards is their ability of hardware compression, providing you with higher system performance and DVD recording quality.

To take full advantage of GV-4008 Cards, you can adjust the video settings, including the recording quality and frame rate, before running the GV-System.

Setting up the video settings of the recorded files:

Considering computer performance or recording quality, you may adjust the settings to meet your needs.

1. On the Main System, click the **Configure** button, select **System Configure**, select **Camera Install**, and click **Hardware Compression Setup**. This dialog box appears.

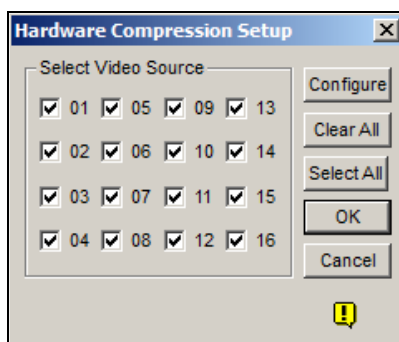


Figure 1-5

2. Select the cameras you want to set up, and click the **Configure** button. This dialog box appears.

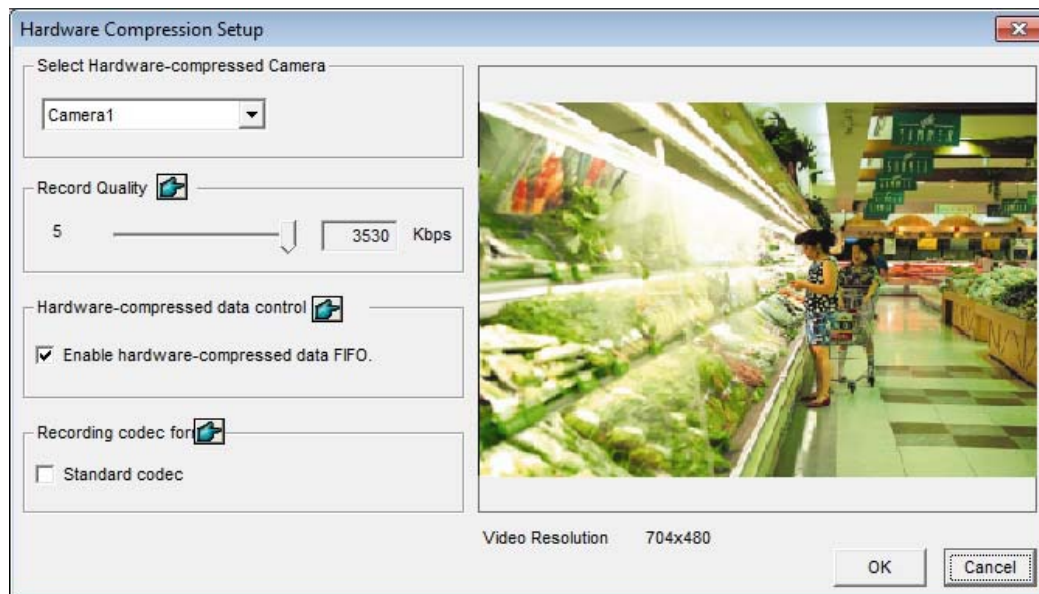


Figure 1-6

3. In the Select Hardware-compressed Camera section, select one camera to be configured.
4. Select the recording quality.
5. The **Enable hardware-compressed data FIFO** option is disabled by default. When the option is enabled, the hardware-compressed data from the video IP device, such as IP camera, video server and compact DVR, will be transmitted directly to remote servers instead of being compressed again on the DVR. The remote servers include CMS-related servers and WebCam Server. This feature can decrease the system load of DVR but increase that of remote servers.
6. To use standard H.264 codec in recording, enable **Standard codec** in the Recording codec for section.
7. If you want to apply the same setting to all cameras, click the **Finger** button in each section.

8. To access the frame rate settings, on the Main System, click the **Configure** button, select **System Configure**, and select **Camera Configure**. This dialog box appears.

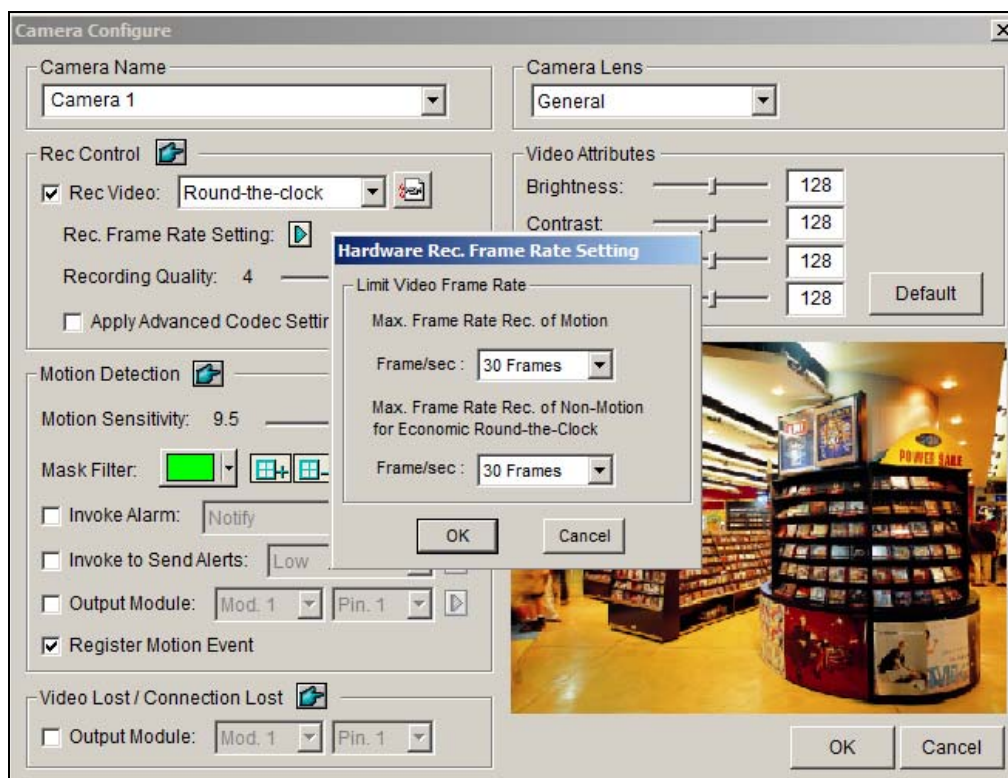


Figure 1-7

9. In the Rec Control section, click the **Arrow** button. The Hardware Rec. Frame Rate Setting dialog box appears.
10. Set the maximum frame rate for motion and non-motion periods so as to save as much disk space as possible.
11. To adjust image quality, in the Video Attributes section, move the sliders to the desired values or click **Default** to apply default values.

Note: The default settings are as follows: Recording Quality is 3, Video Resolution is 704 x 480 (NTSC) or 704 x 576 (PAL), Codec is Geo H.264 and Frame Rate is 30 (NTSC) or 25 (PAL).

Specifications

		GV-4008	GV-4008 x 2
Interface		PCI-E x1	
Input Type		DVI x 2	DVI x 4
Video Input		8 Cams	16 Cams
Audio Input		8 Channels	16 Channels
Recording Rate (D1)	NTSC	240 fps	480 fps
	PAL	200 fps	400 fps
Display Rate	NTSC	240 fps	480 fps
	PAL	200 fps	400 fps
Video Resolution	NTSC	H/W	704 x 480
		S/W	352 x 240
	PAL	H/W	704 x 576
		S/W	352 x 288
Video Compression Format	S/W	Geo MPEG4, Geo H264	
	H/W	H.264	
Audio Compression Format		AAC (16 kHz / 16 bit)	
Bit Rate Range		2.5M ~ 5M	
GV-NET/IO Card Support		Yes (Note2)	
GV-Multi Quad Card Support		No	
Dimensions (W x H)		169 x 99 mm / 6.65 x 3.9 in	
<p>Note:</p> <ol style="list-style-type: none"> GV-4008 does not support the TV-Out function. To work together with GV-4008, GV-NET/IO Card V3.1 must be set in the I/O Box Mode and connected to the PC through USB. In screen divisions, the largest division is set to D1 resolution and the other divisions to CIF resolution. 			

1.2 GV-4008A

The GV-4008A Card provides up to 8 video and 8 audio channels, recording up to 240 / 200 fps (NTSC / PAL) in total with H.264 hardware compression. The new technology of resolution is employed to enhance the live image without DSP Overlay. Even in multi views, the image on the largest division view can remain at the high-quality resolution without DSP Overlay.

Minimum System Requirements

OS	32-bit	Windows XP / Windows Vista / Windows 7 / Windows Server 2008	
	64-bit	Windows 7 / Windows Server 2008	
CPU	GV-4008A	Core 2 Duo, 2.33 GHz	
	GV-4008A x 2	Core 2 Quad, 2.4 GHz	
RAM	GV-4008A	2 x 1 GB Dual Channels	
	GV-4008A x 2		
HDD	GV-4008A	250 GB	
	GV-4008A x 2	500 GB	
VGA	ATI Radeon X1300 PCI-E / NVIDIA GeForce 7300 PCI-E		
DirectX	9.0c		
Power Supply	400 Watts		

Packing List

1. GV-4008A Card x 1
2. 1-8 DVI-Type Audio Cable x 1
3. 1-8 DVI-Type Video Cable x 1
4. Hardware Watchdog Jumper Wire x 1
5. Internal Power Y Cable x 1
6. USB Dongle x 1
7. Software DVD x 1
8. Surveillance System Quick Start Guide x 1

Connecting One GV-4008A Card

- Connect the video and audio cables to the GV-4008A Card.
- Connect the supplied Hardware Watchdog Jump Wire (Figure 1-10).
- Connect the computer's internal power supply to the GV-4008A Card. The LEDs (D17, D19, D21, D23) should be lit in green to indicate the card is ready for use.

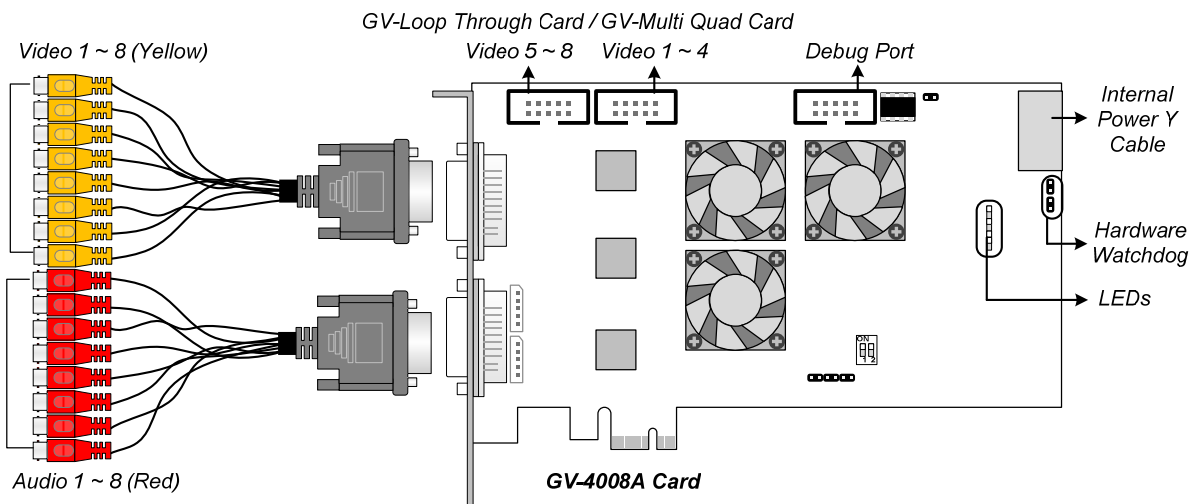


Figure 1-8

Note:

1. The GV-4008A Card only works when the supplied USB Dongle is inserted to PC.
 2. The GV-4008A Card cannot work with microphones which acquire power from the PC. Use microphones which have external power supply.
-

Connecting Two GV-4008A Cards

You can install two GV-4008A Cards for a total of 16 channels. Master Card is the card with 1-8 channels and Slave Card is that with 9-16 channels. Normally, the card attached to the lower PCI-E slot number will act as Master, and the card attached to the higher PCI-E slot number will act as Slave.

- **Hardware Watchdog Connection:** Connect the supplied Hardware Watchdog Jump Wire to the Master Card only (Figure 1-10).
- **Accessory Card Connections:**
 - ⊙ GV-Loop Through Card: Connect the card to two 10-pin connectors on each Master and Slave Card by using a supplied cable with four 10-pin headers.
 - ⊙ GV-Multi Quad Card: Connect the card to two 10-pin connectors on each Master and Slave Card by using a supplied cable with four 10-pin headers.

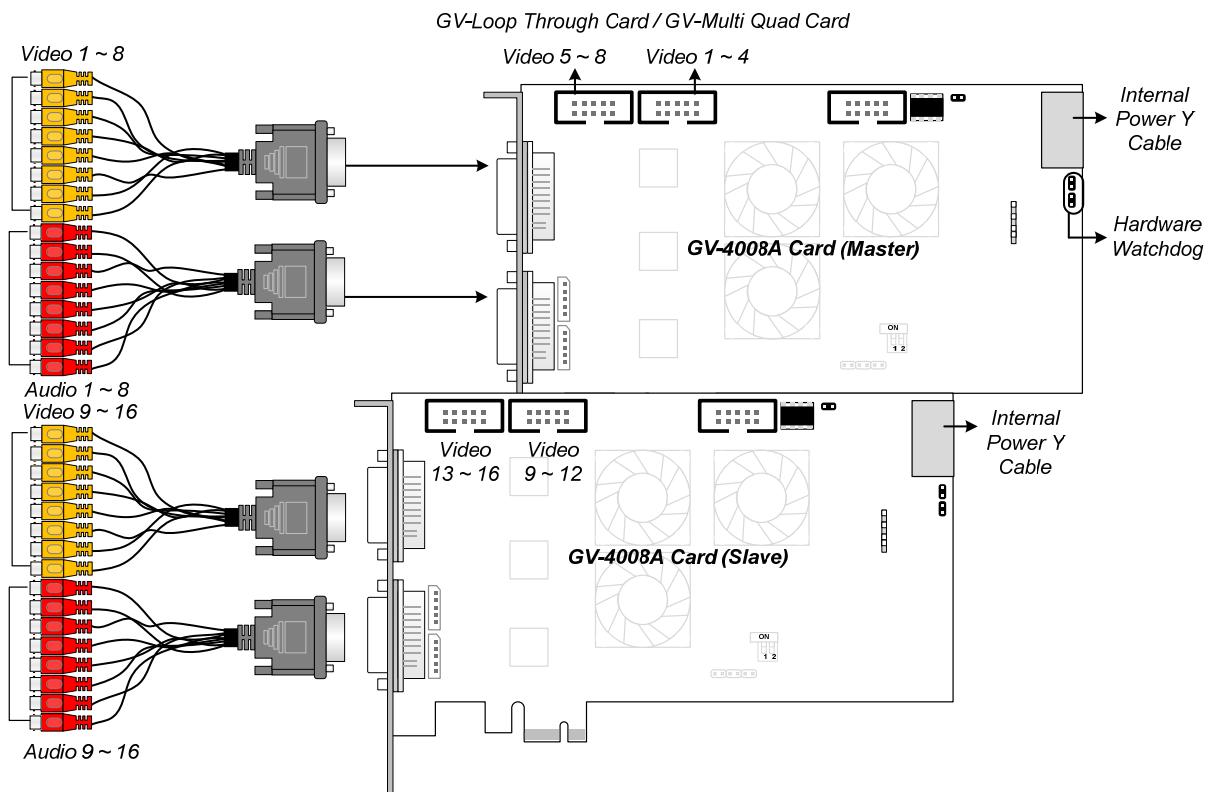


Figure 1-9

Connecting Hardware Watchdog

Insert the Hardware Watchdog Jumper Wire to the 2-pin connectors on the Card. The (+) pin on the Card must connect to the Reset (+) pin on the motherboard, and the (-) pin on the Card to the Ground (-) pin on the motherboard. Ensure the connection is correct; otherwise the hardware watchdog will not work.

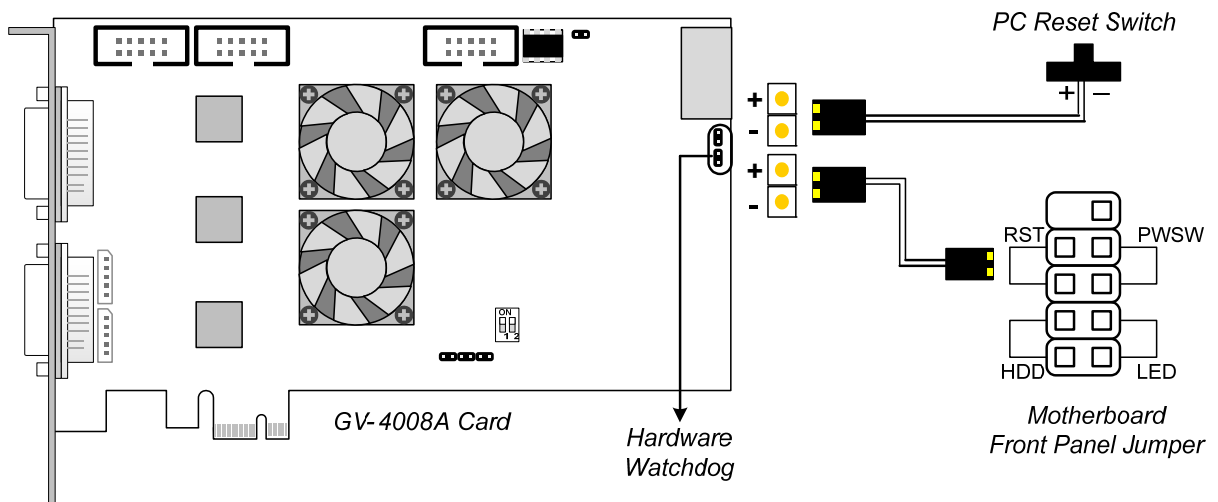


Figure 1-10

Note: To locate the motherboard's Reset (+) pin and (-) pin, please refer to the motherboard's user manual.

Installing Drivers

After installing the GV-4008A Card in the computer, insert the software DVD to install GV-Series drivers. The DVD will run automatically and an installation window will pop up. Select **Install or Remove GeoVision GV-Series Driver**, and select the following two options to install card and USB dongle drivers.

- **Install or Remove GeoVision GV-Series Card Drivers:** installs card drivers.
- **Install GeoVision USB Device Drivers:** installs USB dongle drivers.

To verify the drivers are installed correctly, go to Windows Device Manager and see if their entries are listed.

Expand the **DVR-Devices** field, you can see:

GV-4008A Card	Entry
Single-card mode	GV4008(A) GV-Series USB Protector
Two-card mode	GV4008(A) GV4008(A) GV-Series USB Protector

Adjusting the Video Settings in the Main System

One distinct feature of GV-4008A Cards is their ability of hardware compression, providing you with higher system performance and DVD recording quality.

To take full advantage of GV-4008A Cards, you can adjust the video settings, including the recording quality and frame rate, before running the GV-System.

For details on adjusting the video settings, see *Setting up the video settings of the recorded files* in *1.1 4008 Card*.

Specifications

		GV-4008A	GV-4008A x 2
Interface		PCI-E x1	
Input Type		DVI x 2	DVI x 4
Video Input		8 Cams	16 Cams
Audio Input		8 Channels	16 Channels
Recording Rate (D1)	NTSC	240 fps	480 fps
	PAL	200 fps	400 fps
Display Rate	NTSC	240 fps	480 fps
	PAL	200 fps	400 fps
Video Resolution	NTSC	H/W	704 x 480
		S/W	352 x 240
	PAL	H/W	704 x 576
		S/W	352 x 288
Video Compression Format	S/W	Geo MPEG4, Geo H264	
	H/W	H.264	
Audio Compression Format		AAC (16 kHz / 16 bit)	
Bit Rate Range		2.5M ~ 5M	
GV-NET/IO Card Support		Yes (Note 2)	
GV-Multi Quad Card Support		Yes	
GV-Loop Through Card Support		Yes	
Dimensions (W x H)		169 x 99 mm / 6.65 x 3.9 in	
<p>Note:</p> <ol style="list-style-type: none"> GV-4008A does not support the TV-Out function. To work together with GV-4008A, GV-NET/IO Card V3.1 must be set in the I/O Box Mode and connected to the PC through USB. 			

1.3 GV-3008

The GV-3008 Card provides up to 8 video and 8 audio channels, recording up to 240 / 200 fps (NTSC / PAL) in total with H.264 hardware compression. The GV-3008 Card provides the high-resolution live image with DSP Overlay. Even in multi views, the image on the largest division view can remain at the high-quality resolution.

Minimum System Requirements

OS	32-bit	Windows XP / Windows Vista / Windows 7 / Windows Server 2008	
	64-bit	Windows 7 / Windows Server 2008	
CPU	GV-3008	Core 2 Duo, 2.33 GHz	
	GV-3008 x 2	Core 2 Quad, 2.4 GHz	
RAM	GV-3008	2 x 1 GB Dual Channels	
	GV-3008 x 2		
HDD	GV-3008	250 GB	
	GV-3008 x 2	500 GB	
VGA	ATI Radeon X1300 PCI-E / NVIDIA GeForce 7300 PCI-E		
DirectX	9.0c		
Power Supply	400 Watts		

Packing List

1. GV-3008 Card x 1
2. 1-4 D-Type Video and Audio Cable x 1
3. 5-8 D-Type Video and Audio Cable x 1
4. Hardware Watchdog Jumper Wire x1
5. Software DVD x 1
6. Surveillance System Quick Start Guide x 1

Connecting One GV-3008 Card

- Connect the D-Type video and audio cables to the GV-3008 Card.
- Connect the supplied Hardware Watchdog Jump Wire (Figure 1-13).
- Connect the computer's internal power supply to the GV-3008 Card. The Power LED should be lit in green to indicate the card is ready for use.

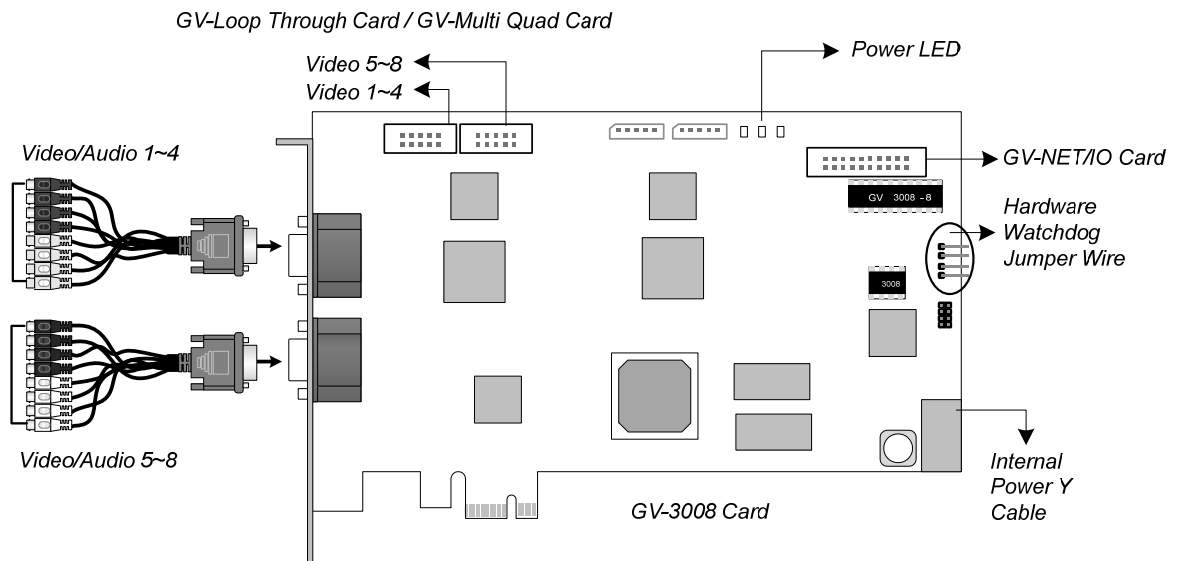


Figure 1-11

Connecting Two GV-3008 Cards

You can install two GV-3008 Cards for a total of 16 channels. Master Card is the card with 1-8 channels and Slave Card is that with 9-16 channels. The Master and Slave cards can be distinguished by the labels on cards, as shown below:

Master Card:  GV3008-8

Slave Card:  GV3016

IMPORTANT:

1. The Slave Cards cannot work alone. They need to work in conjunction with the Master Cards.
 2. If both GV-3008 Cards are Master Cards, it is required to identify which are Master and Slave by the PCI-E slot number. Normally, the card attached to the lower PCI-E slot number will act as Master, and the card attached to the higher PCI-E slot number will act as Slave.
-

- **Hardware Watchdog Connection:** Connect the supplied Hardware Watchdog Jump Wire to the Master Card only (Figure 1-13).
- **Accessory Card Connections:**
 - ⊙ GV-NET/IO Card: Connect the card only to the Master Card.
 - ⊙ GV-Loop Through Card: Connect the card to two 10-pin connectors on each Master and Slave Card by using a supplied cable with four 10-pin headers.
 - ⊙ GV-Multi Quad Card: Connect the card to two 10-pin connectors on each Master and Slave Card by using a supplied cable with four 10-pin headers.

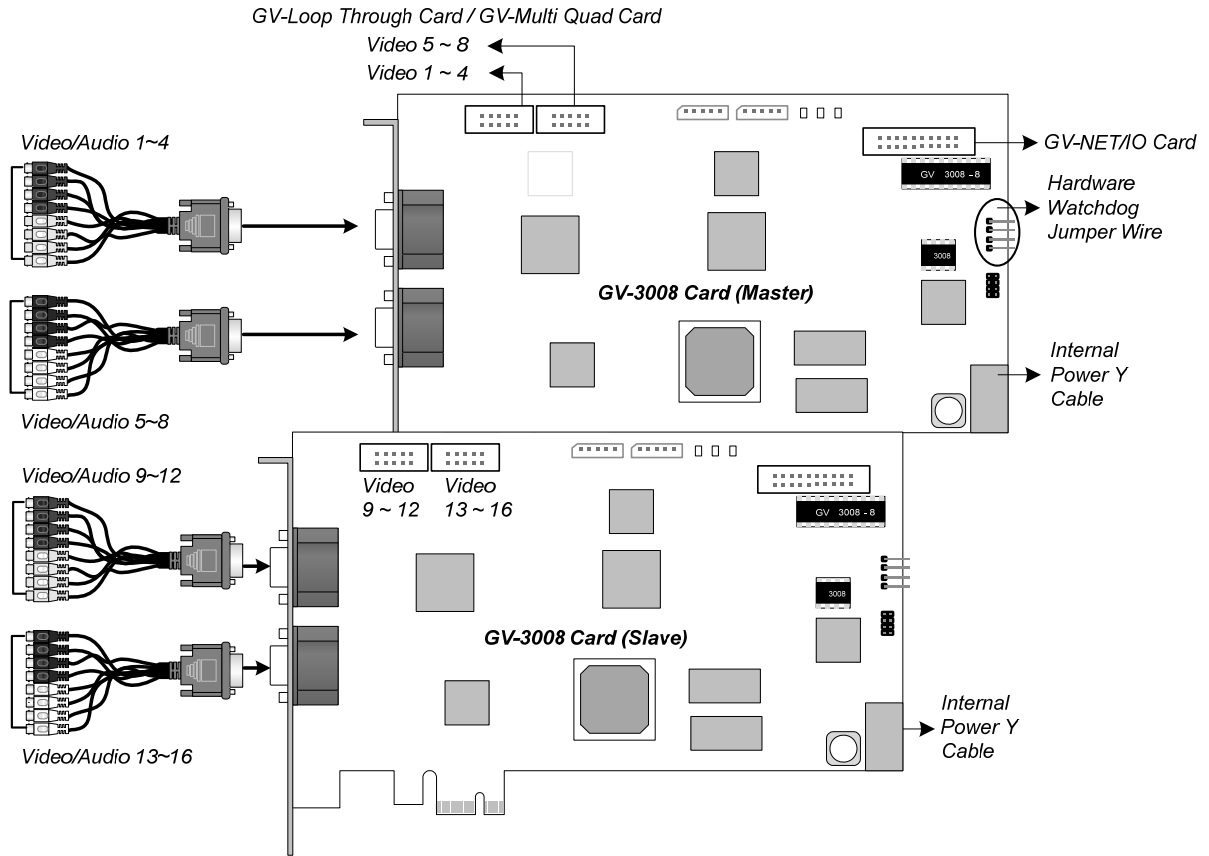


Figure 1-12

Connecting Hardware Watchdog

To restart the computer automatically by the hardware watchdog on the GV-Video Capture Card, a connection needs to be made from the card to the motherboard.

1. Using the supplied jumper wire, connect the reset jumper pins on the card and on the motherboard.

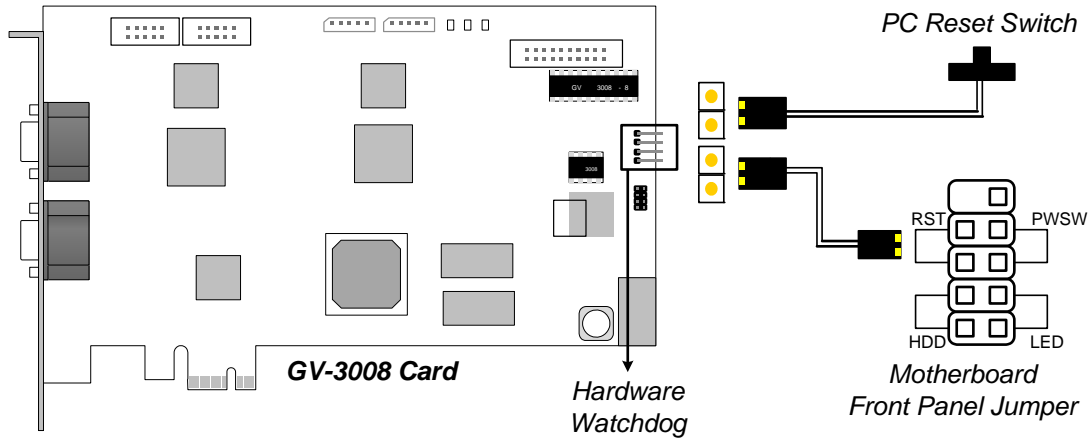


Figure 1-13

2. If the computer has a reset switch, the switch's jumper wire should already be connected to the motherboard's reset jumper pins. Remove the switch wire from the motherboard and connect it to the reset jumper pins on the card.

Installing Drivers

After installing the GV-3008 Card in the computer, insert the software DVD to install GV-Series drivers. The DVD will run automatically and an installation window will pop up. Select **Install or Remove GeoVision GV-Series Driver**, and select **Install or Remove GeoVision GV-Series Card Drivers** to install card drivers.

To verify the drivers are installed correctly, go to Windows Device Manager and see if their entries are listed.

Expand the **DVR-Devices** field, you can see:

GV-3008 Card		Entry
Single-card mode		GV3008 Capture GV3008 Encode #1 GV3008 Encode #2
Two-card mode	Two Master Cards	GV3008 Capture GV3008 Capture GV3008 Encode #1 GV3008 Encode #1 GV3008 Encode #2 GV3008 Encode #2
	One Master and Slave Card	GV3008 Capture GV3008 Capture GV3008 Encode #1 GV3008 Encode #2 GV3008 Encode #3 GV3008 Encode #4

Adjusting the Video Settings in the Main System

One distinct feature of GV-3008 Cards is their ability of hardware compression, providing you with higher system performance and DVD recording quality.

To take full advantage of GV-3008 Cards, you can adjust the video settings, including the recording quality and frame rate, before running the GV-System.

For details on adjusting the video settings, see *Setting up the video settings of the recorded files* in *1.1 4008 Card*.

Specifications

		GV-3008	GV-3008 x 2
Interface		PCI-E x1	
Input Type		D-Type x 2	D-Type x 4
Video Input		8 Cams	16 Cams
Audio Input		8 Channels	16 Channels
Recording Rate (D1)	NTSC	240 fps	480 fps
	PAL	200 fps	400 fps
Display Rate	NTSC	240 fps	480 fps
	PAL	200 fps	400 fps
Video Resolution	NTSC	H/W	704 x 480
		S/W	352 x 240
	PAL	H/W	704 x 576
		S/W	352 x 288
Video Compression Format	S/W	Geo MPEG4, Geo H264	
	H/W	H.264	
Audio Compression Format		AAC (16 kHz / 16 bit)	
Bit Rate Range		2.5M ~ 10M	
GV-NET/IO Card Support		Yes	
GV-Multi Quad Card Support		Yes	
GV-Loop Through Card Support		Yes	
Dimensions (W x H)		180 x 100 mm / 7.09 x 3.94 in	
Note: GV-3008 does not support the TV-Out function.			

1.4 GV-1120A, 1240A, 1480A

GV-Combo A Card (GV-1120A, GV-1240A and GV-1480A) are the three-in-one combo cards, providing one single card solution for 16 video / audio recording, real-time display and TV-out display.

Minimum System Requirements

OS	32-bit	Windows XP / Windows Vista / Windows 7 / Windows Server 2008	
	64-bit	Windows 7 / Windows Server 2008	
CPU	GV-1120A	Pentium 4, 3.0 GHz with Hyper-Threading	
		Turbo Mode: Pentium 4, 3.0 GHz, Dual Core	
	GV-1120A x 2	Pentium 4, 3.0 GHz, Dual Core	
		Turbo Mode: Core 2 Quad, 2.4 GHz	
	GV-1240A	Pentium 4, 3.0 GHz, Dual Core	
		Turbo Mode: Core 2 Duo, 3.0 GHz	
	GV-1240A x 2	Core 2 Duo, 2.53 GHz	
		Turbo Mode: Core 2 Quad, 2.8 GHz	
	GV-1480A	Core 2 Duo, 3.0 GHz	
		Turbo Mode: Core 2 Quad, 2.4 GHz	
	GV-1480A x 2	Core 2 Quad, 2.4 GHz	
		Turbo Mode: Core i7-920, 2.66 GHz	
RAM	GV-1120A / 1240A / 1480A	Windows XP	2 x 512 MB Dual Channels
		Windows Vista / 7 / Server 2008	2 x 1 GB Dual Channels
	GV-1120A x 2 / 1240A x 2 / 1480A x 2	2 x 1 GB Dual Channels	
HDD	GV-1120A	80 GB / Turbo Mode: 120 GB	
	GV-1120 A x 2	160 GB / Turbo Mode: 250 GB	
	GV-1240A	120 GB / Turbo Mode: 160 GB	
	GV-1240A x 2	250 GB / Turbo Mode: 320 GB	
	GV-1480A	250 GB / Turbo Mode: 320 GB	
	GV-1480A x 2	500 GB / Turbo Mode: 750 GB	
VGA	ATI Radeon X1300 PCI-E / NVIDIA GeForce 7300 PCI-E		
DirectX	9.0c		

Packing List (D-Type)

1. GV-Combo A Card x 1
2. Audio Extension Card x 1
3. 1-8 D-Type Video Cable x 1
4. 9-16 D-Type Video Cable x 1
5. 1-8 D-Type Audio Cable x 1
6. 9-16 D-Type Audio Cable x 1
7. Internal Power Y Cable x 1
8. Hardware Watchdog Jumper Wire x 1
9. Software DVD x 1
10. Surveillance System Quick Start Guide x 1

Packing List (DVI-Type)

1. GV- Combo A Card x 1
2. 1-8 DVI-Type Video plus TV Out Cable x 1
3. 9-16 DVI-Type Video Cable x 1
4. 1-8 DVI-Type Audio Cable x 1
5. 9-16 DVI-Type Audio Cable x 1
6. Internal Power Y Cable x 1
7. Hardware Watchdog Jumper Wire x 1
8. Software DVD x 1
9. Surveillance System Quick Start Guide x 1

Connecting One GV-Combo A Card (D-Type)

- Plug the Audio Extension Card in the assigned connectors on the GV-Combo A Card.
- Connect D-Type video and audio cables to the GV-Combo A Card and Audio Extension Card respectively.
- Connect the supplied Hardware Watchdog Jump Wire (Figure 1-18).
- Connect the PC's internal power supply to the GV-Combo A Card.
- Connect the TV monitor to the GV-Combo A Card if needed.

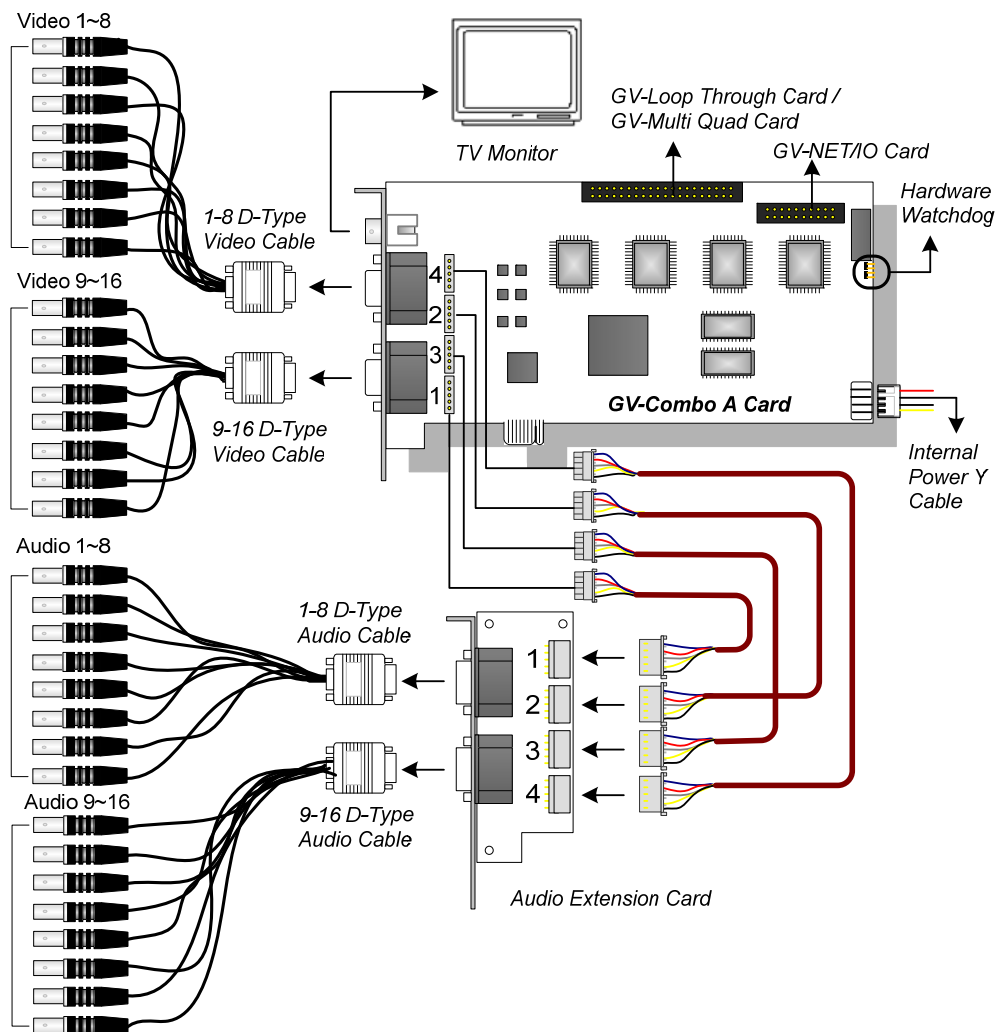


Figure 1-14

Note: The Card only works when it connects to PC's power supply using the supplied Internal Power Y Cable.

Connecting One GV-Combo A Card (DVI-Type)

- Connect the DVI video and audio cables to the GV-Combo A Card.
- Connect the supplied Hardware Watchdog Jump Wire (Figure 1-18).
- Connect the PC's internal power supply to the GV-Combo A Card.
- Connect the DVI TV Out cable to the TV monitor if needed.

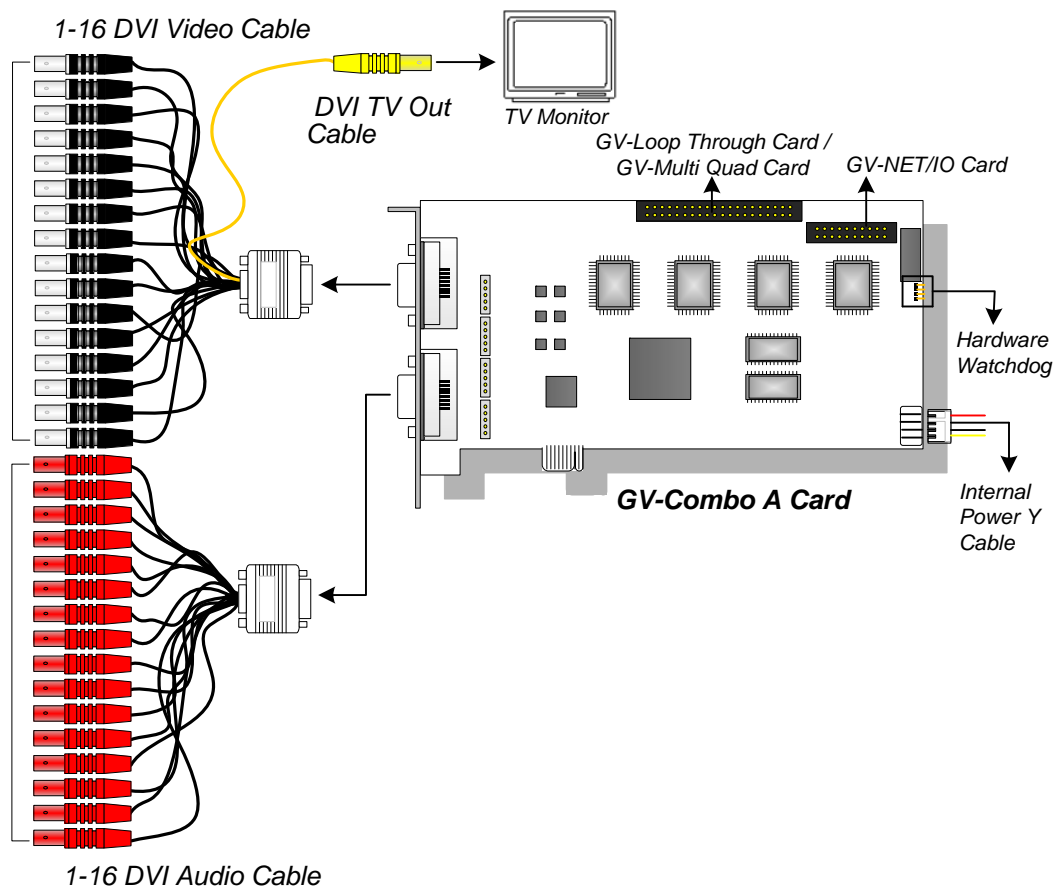


Figure 1-15

Note: The Card only works when it connects to PC's power supply using the supplied Internal Power Y Cable.

Connecting GV-NET/IO Card to GV-Combo A Card

Connect the GV-NET/IO Card to the 20-pin GV-NET/IO port on the GV-Combo A Card. Some GV-Combo A Cards are built in two 20-pin ports. Ensure to connect the GV-NET/IO Card to the correct port as illustrated below.

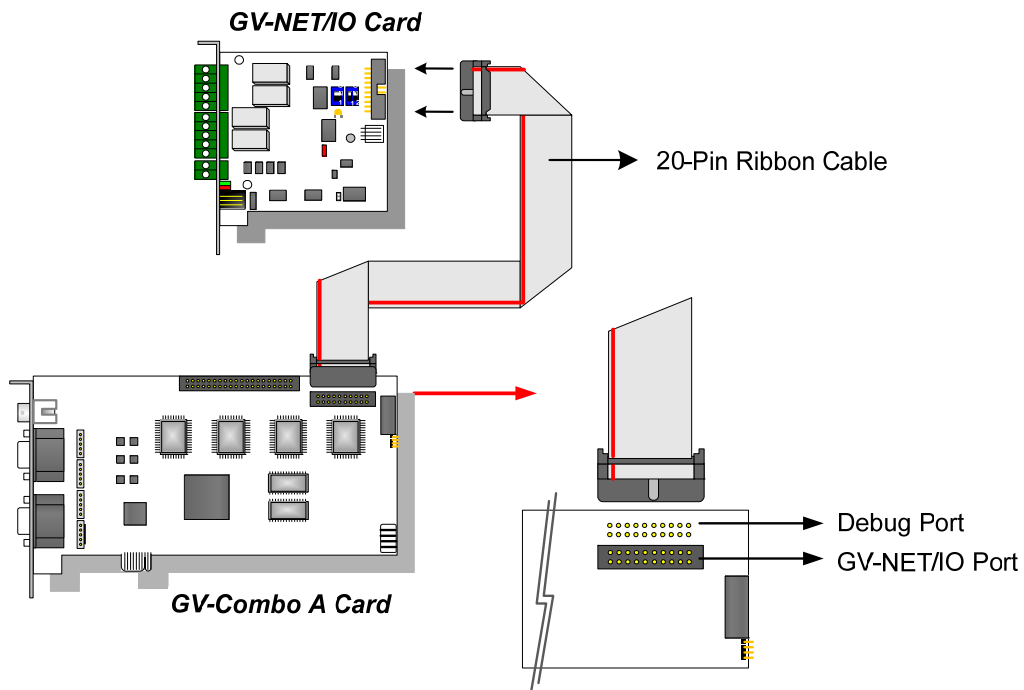


Figure 1-16

Note: If the GV-NET/IO Card is connected to the Debug port, it may lead to the GV-NET/IO Card to be damaged, or the GV-Combo A Card to burn out, causing Video Lost or an error message of “can’t find keypro” to pop up.

Connecting Two GV-Combo A Cards

You can install two GV-Combo A Cards of the same model for up to 32 channels. Master Card is the card with 1-16 channels and Slave Card is that with 17-32 channels. Normally, the card attached to the lower PCI slot number will act as Master, and the card attached to the higher PCI slot number will act as Slave.

- **TV Output Connection:** The RCA connector in the Master Card is for displaying 1-16 channels, and the one in the Slave Card is for displaying 17-32 channels.
- **Hardware Watchdog Connection:** Connect the supplied Hardware Watchdog Jump Wire to the Master Card only (Figure 1-18).
- **Accessory Card Connections:**
 - ⊙ GV-NET/IO Card: Connect the card only to the Master Card.
 - ⊙ GV-Loop Through Card: Connect the card for each video capture card.
 - ⊙ GV-Multi Quad Card: Only connect one card to any of two video capture cards.

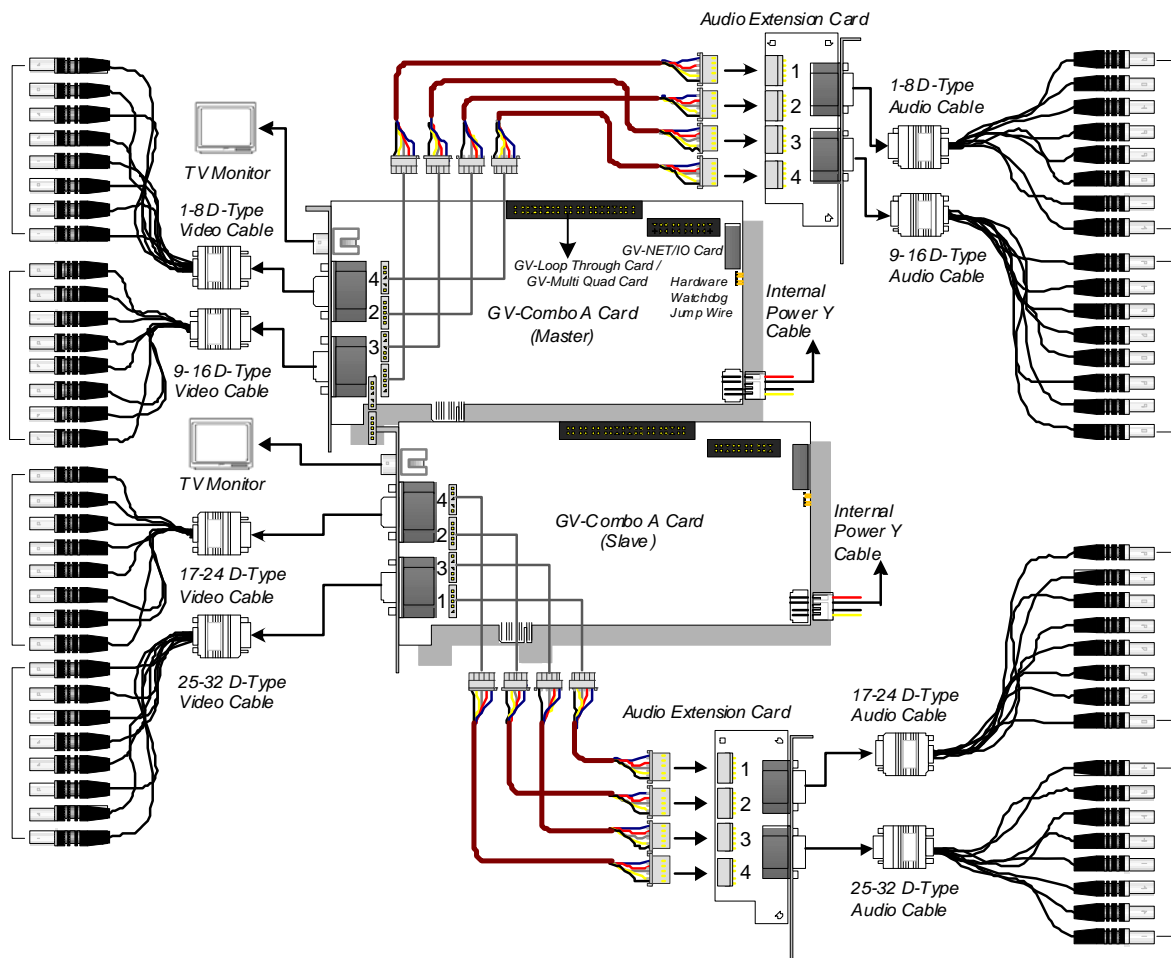


Figure1-17

Connecting Hardware Watchdog

Insert the Hardware Watchdog Jumper Wire to the 2-pin connectors on the Card and on the motherboard as illustrated below. Ensure the connection is correct; otherwise the hardware watchdog will not work.

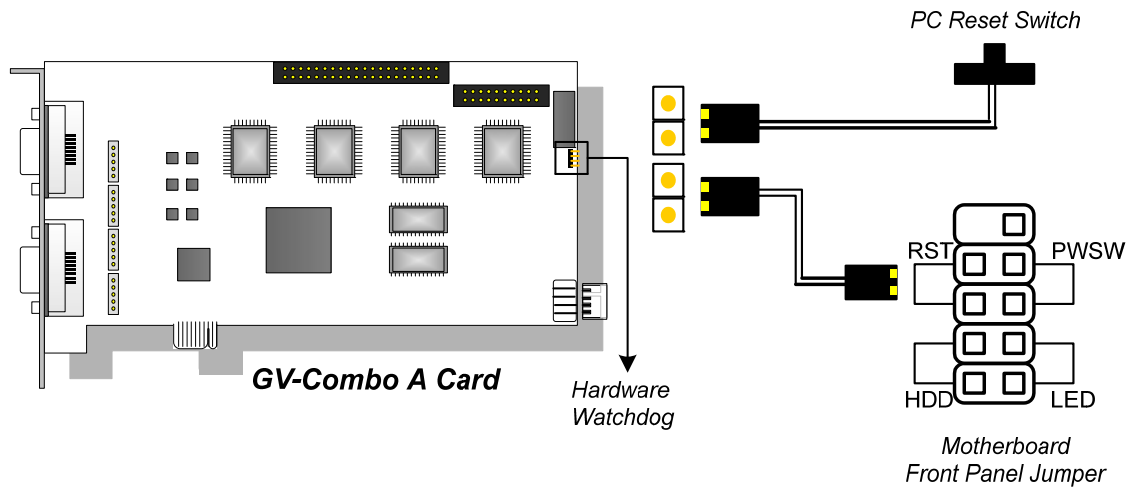


Figure 1-18

Installing Drivers

After installing the GV-Combo A Card in the computer, insert the software DVD. The DVD will run automatically and an installation window will pop up. Select **Install or Remove GeoVision GV-Series Driver**, and select **Install or Remove GeoVision GV-Series Card Drivers** to install card drivers.

To verify the drivers are installed correctly, go to Windows Device Manager and see if their entries are listed.

Expand the **DVR-Devices** field, you can see:

Card Model		Entry
GV-1120A	Single-card mode	GV1480A/GV1240A/GV1248A/GV1120A/GV1008
	Two-card mode	GV1480A/GV1240A/GV1248A/GV1120A/GV1008 GV1480A/GV1240A/GV1248A/GV1120A/GV1008
GV-1240A	Single-card mode	GV1480A/GV1240A/GV1248A/GV1120A/GV1008
	Two-card mode	GV1480A/GV1240A/GV1248A/GV1120A/GV1008 GV1480A/GV1240A/GV1248A/GV1120A/GV1008
GV-1480A	Single-card mode	GV1480A/GV1240A/GV1248A/GV1120A/GV1008
	Two-card mode	GV1480A/GV1240A/GV1248A/GV1120A/GV1008 GV1480A/GV1240A/GV1248A/GV1120A/GV1008

Specifications

			GV-1120A	GV-1240A	GV-1480A
Interface Type			PCI-E x1		
Input Type	D-Type		D-Type x 4		
	DVI		DVI x 2		
Video Input			8, 12, 16 Cams	8, 16 Cams	16 Cams
Audio Input			8, 12, 16 Channels	8, 16 Channels	16 Channels
TV Output			RCA Connector x 1		
Recording Rate	CIF	NTSC	120 fps	240 fps	480 fps
		PAL	100 fps	200 fps	400 fps
	D1	NTSC	80 fps	120 fps	240 fps
		PAL	72 fps	100 fps	200 fps
	Turbo VGA	NTSC	120 fps	240 fps	416 fps
		PAL	100 fps	200 fps	400 fps
	Turbo D1	NTSC	120 fps	240 fps	352 fps
		PAL	100 fps	200 fps	320 fps
Display Rate	CIF	NTSC	480 fps		
		PAL	400 fps		
	D1	NTSC	480 fps		
		PAL	400 fps		
Video Resolution		NTSC	704 x 480, 704 x 480 De-interlace, 640 x 480, 640 x 480 De-interlace, 352 x 240, 320 x 240		
		PAL	704 x 576, 704 x 576 De-interlace, 640 x 480, 640 x 480 De-interlace, 352 x 288, 320 x 240		
Video Compression Format			Geo MPEG4, Geo H264		
Audio Compression Format			AAC (16 kHz / 16 bit)		
GV-Multi Quad Card Support			Yes		
GV-Loop Through Card Support			Yes		
GV-NET/IO Card Support			Yes		
Dimensions	D-Type		179 x 99 mm / 7.04 x 3.89 in		
	DVI-Type				
<p>Note: Turbo Mode is only applied in VGA and D1 resolutions. To activate Turbo Mode, see <i>Activating Turbo Mode, Chapter 1, DVR User's Manual on the Software DVD.</i></p>					

			GV-1120A x 2	GV-1240A x 2	GV-1480A x 2
Interface Type			PCI-E x1		
Input Type	D-Type		D-Type x 8		
	DVI		DVI x 4		
Video Input			16, 20, 24, 28, 32 Cams	16, 24, 32 Cams	32 Cams
Audio Input			16, 20, 24, 28, 32 Channels	16, 24, 32 Channels	32 Channels
TV Output			RCA Connector x 1		
Recording Rate	CIF	NTSC	240 fps	480 fps	960 fps
		PAL	200 fps	400 fps	800 fps
	D1	NTSC	160 fps	240 fps	480 fps
		PAL	144 fps	200 fps	400 fps
	Turbo VGA	NTSC	240 fps	480 fps	832 fps
		PAL	200 fps	400 fps	800 fps
	Turbo D1	NTSC	240 fps	480 fps	704 fps
		PAL	200 fps	400 fps	640 fps
Display Rate	CIF	NTSC	960 fps	960 fps	960 fps
		PAL	800 fps	800 fps	800 fps
	D1	NTSC	960 fps	960 fps	960 fps
		PAL	800 fps	800 fps	800 fps
Video Resolution		NTSC	704 x 480, 704 x 480 De-interlace, 640 x 480, 640 x 480 De-interlace, 352 x 240, 320 x 240		
		PAL	704 x 576, 704 x 576 De-interlace, 640 x 480, 640 x 480 De-interlace, 352 x 288, 320 x 240		
Video Compression Format			Geo MPEG4, Geo H264		
Audio Compression Format			AAC (16 kHz / 16 bit)		
GV-Multi Quad Card Support			Yes		
GV-Loop Through Card Support			Yes		
GV-NET/IO Card Support			Yes		
Dimensions	D-Type		179 x 99 mm / 7.04 x 3.89 in		
	DVI-Type				
<p>Note: Turbo Mode is only applied in VGA and D1 resolutions. To activate Turbo Mode, see <i>Activating Turbo Mode, Chapter 1, DVR User's Manual on the Software DVD.</i></p>					

1.5 GV-1008

The GV-1008, as a three-in-one combo card, provides one single card solution for 8 video / audio recording, real-time display and TV-out display. The Card can record each channel at D1 in real time or 30 fps. When the two Cards are installed in the system, it can be utilized to provide a single TV-out display of 16 cameras and maintain a high recording rate of 480 fps at D1 resolution.

Minimum System Requirements

OS	32-bit	Windows XP / Windows Vista / Windows 7 / Windows Server 2008	
	64-bit	Windows 7 / Windows Server 2008	
CPU	GV-1008	Core 2 Duo, 3.0 GHz	
	GV-1008 x 2	Core i5-750, 2.66 GHz	
RAM	Windows XP	GV-1008	2 x 512 MB Dual Channels
		GV-1008 x 2	2 x 1 GB Dual Channels
	Windows Vista / 7 / Server 2008	GV-1008	2 x 1 GB Dual Channels
		GV-1008 x 2	
HDD	GV-1008	250 GB	
	GV-1008 x 2	500 GB	
VGA	ATI Radeon X1300 PCI-E / NVIDIA GeForce 7300 PCI-E		
DirectX	9.0c		

Packing List

1. GV-1008 Card x 1
2. Audio Extension Card x 1
3. 1-8 D-Type Video Cable x 1
4. 1-8 D-Type Audio Cable x 1
5. 40-Pin Ribbon Cable with 3 headers x 1
6. Internal Power Y Cable x 1
7. Hardware Watchdog Jumper Wire x1
8. Software DVD x 1
9. Surveillance System Quick Start Guide x 1

Connecting One GV-1008 Card

- Plug the Audio Extension Card in the assigned connectors on the GV-1008 Card.
- Connect D-Type video cable and audio cable to the GV-1008 Card and Audio Extension Card respectively.
- Connect the supplied Hardware Watchdog Jump Wire (Figure 1-21).
- Connect the PC's internal power supply to the GV-1008 Card.
- Connect the TV monitor to the GV-1008 Card if needed.

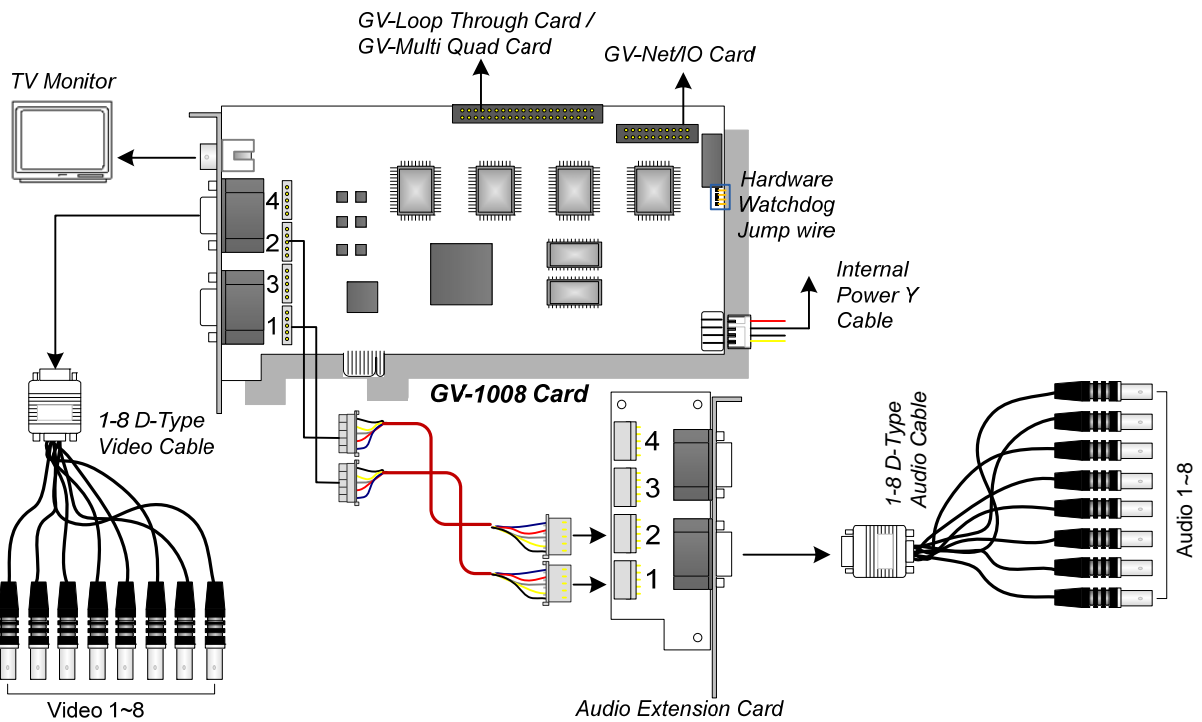


Figure 1-19

Note: The Card only works when it connects to PC's power supply using the supplied Internal Power Y Cable.

Connecting Two GV-1008 Cards

You can install the Master and Slave of GV-1008 Cards for a total of 16 channels. The Master and Slave are distinguished by the labels on cards, as shown below:

Master Card: 

Slave Card: 

Use the supplied 40-pin cable to connect the Master and Slave Cards together.

IMPORTANT:

1. The Slave Cards cannot work alone. They need to work in conjunction with the Master Cards.
2. If both GV-1008 Cards are Master Cards, it is required to identify which are Master and Slave by the PCI-E slot number. Normally, the card attached to the lower PCI-E slot number will act as Master, and the card attached to the higher PCI-E slot number will act as Slave.

-
- **Video Channels:** Connect only Video Channels 1~8 of the Master Card and Video Channels 9~16 of the Slave Card with the supplied D-Type Video Cables
 - **Audio channels:** Connect only Audio Channels 1~8 of the Master Card and Audio Channels 9~16 of the Slave Card to Audio Extension Card.
 - **TV Output Connection:** Connect a TV Monitor to any of the RCA connectors on the Master and Slave Cards for displaying 1-16 channels.
 - **Hardware Watchdog Connection:** Connect the supplied Hardware Watchdog Jump Wire to the Master Card only (Figure 1-21).
 - **Accessory Card Connections:**
 - ⊙ GV-NET/IO Card: Connect the card only to the Master Card.
 - ⊙ GV-Loop Through Card: Connect one card to the 40-pin cable which connects both Master and Slave Cards.
 - ⊙ GV-Multi Quad Card: Connect one card to the 40-pin cable which connects both Master and Slave Cards.

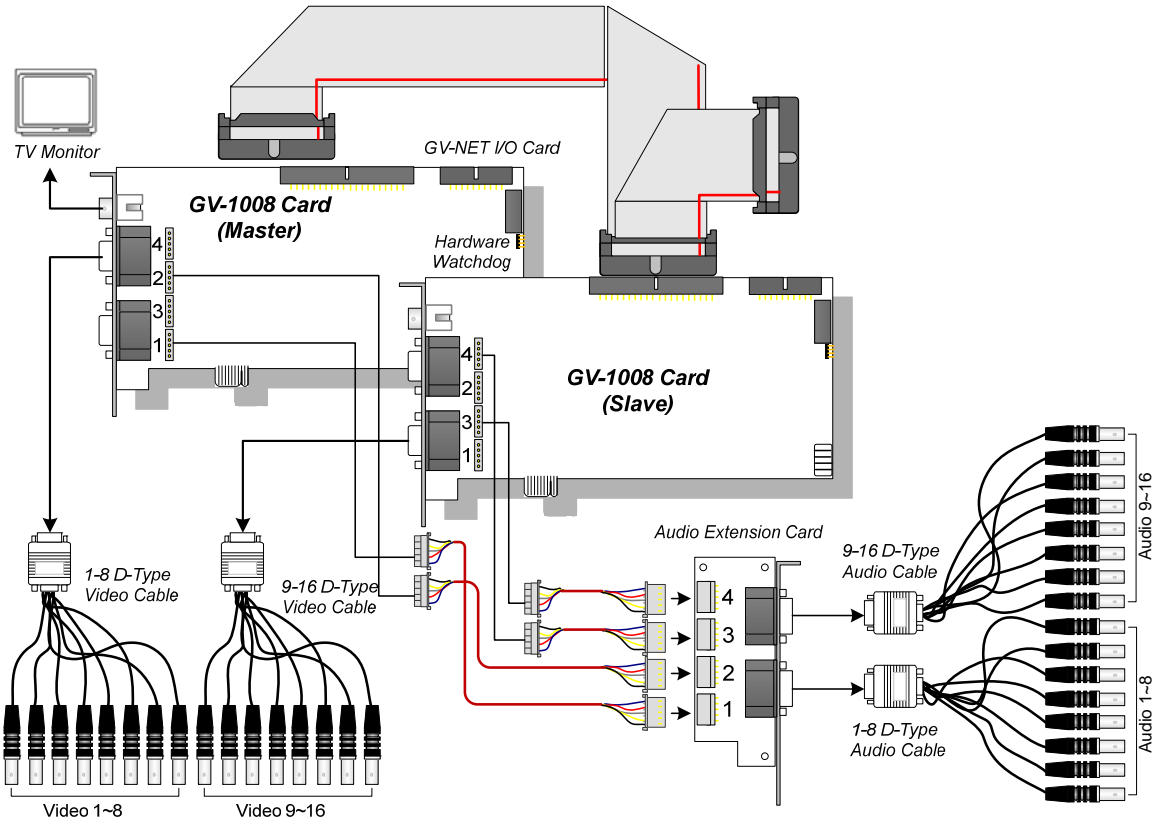


Figure 1-20

Connecting Hardware Watchdog

Insert the Hardware Watchdog Jumper Wire to the 2-pin connectors on the Card. The (+) pin on the Card must connect to the Reset (+) pin on the motherboard, and the (-) pin on the Card to the Ground (-) pin on the motherboard. Ensure the connection is correct; otherwise the hardware watchdog will not work.

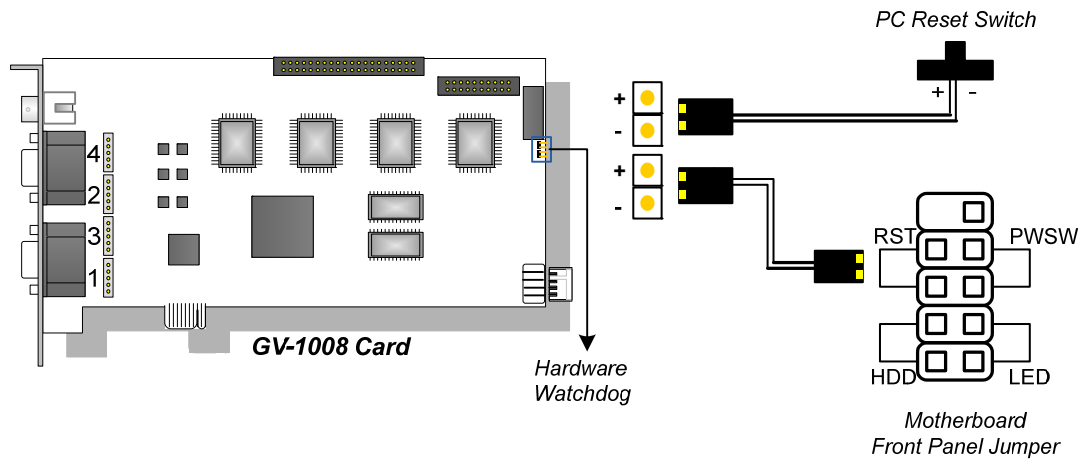


Figure 1-21

Note: To locate the motherboard's Reset (+) pin and (-) pin, please refer to the motherboard's user manual.

Installing Drivers

After installing the GV-1008 Card in the computer, insert the software DVD. The DVD will run automatically and an installation window will pop up. Select **Install or Remove GeoVision GV-Series Driver**, and select **Install or Remove GeoVision GV-Series Card Drivers** to install card drivers.

To verify the drivers are installed correctly, go to Windows Device Manager and see if their entries are listed.

Expand the **DVR-Devices** field, you can see:

GV-1008 Card	Entry
Single-card mode	GV1480A/GV1240A/GV1248A/GV1120A/GV1008
Two-card mode	GV1480A/GV1240A/GV1248A/GV1120A/GV1008 GV1480A/GV1240A/GV1248A/GV1120A/GV1008

Specifications

			GV-1008	GV-1008 x 2
Interface			PCI-E x1	
Input Type	D-Type		D-Type x 2	D-Type x 4
	DVI		DV1 x 2	DV1 x 4
Video Input			8 Cams	16 Cams
TV Output			RCA Connector x 1	
Audio Input			8 Channels	16 Channels
Recording Rate	CIF	NTSC	240 fps	480 fps
		PAL	200 fps	400 fps
	D1	NTSC	240 fps	480 fps
		PAL	200 fps	400 fps
Display Rate	CIF	NTSC	240 fps	480 fps
		PAL	200 fps	400 fps
	D1	NTSC	240 fps	480 fps
		PAL	200 fps	400 fps
Video Resolution	NTSC		704 x 480, 704 x 480 (De-interlace), 640 x 480, 640 X 480 (De-interlace), 352 x 240, 320 x 240	
	PAL		704 x 576, 704 x 576 (De-interlace), 640 x 480, 640 X 480 (De-interlace), 352 x 288, 320 x 240	
Video Compression Format			Geo MPEG4, Geo H264	
Audio Compression Format			AAC (16 kHz / 16 bit)	
GV-Multi Quad Card Support			Yes	
GV-Loop Through Card Support			Yes	
GV-NET/IO Card Support			Yes	
Dimensions (W x H)			179 x 99 mm / 7.04 x 3.89 in	

1.6 GV-900A

One GV-900A Card provides up to 32 video channels and 8 audio channels, recording up to 240 / 200 fps (NTSC / PAL) in total with H.264 software compression.

Minimum System Requirements

OS	32-bit	Windows XP / Windows Vista / Windows 7 / Windows Server 2008	
	64-bit	Windows 7 / Windows Server 2008	
CPU	GV-900A	Pentium 4, 3.0 GHz with Dual Core	
	GV-900A x 2	Core i5-750, 2.66 GHz	
RAM	2 x 1 GB Dual Channels		
HDD	GV-900A	160 GB	
	GV-900A x 2	500 GB	
VGA	ATI Radeon X1300 PCI-E / NVIDIA GeForce 7300 PCI-E		
DirectX	9.0c		

Packing List

1. GV-900A Card x 1
2. 1-16 Cams with 4-Port Audio DVI-Type Cable x 2 / 1-8 Cams with 4-Port Audio DVI-Type Cable x 2 / 1-4 Cams with 4-Port Audio DVI-Type Cable x 2
3. Hardware Watchdog Jumper Wire x 1
4. Software DVD x 1
5. Surveillance System Quick Start Guide x 1

Note: The two **1-16 Cams with 4-Port Audio DVI-Type** cables are supplied with the GV-900A card with 32 video inputs, the two **1-8 Cams with 4-Port Audio DVI-Type** cables are supplied with the GV-900A card with 16 video inputs and the two **1-4 Cams with 4-Port Audio DVI-Type** cables are supplied with the GV-900A card with 8 video inputs.

Connecting One GV-900A Card

Here we use the GV-900A Card of 8 channels to illustrate the connection.

- Connect the video / audio cables into the DVI ports of the GV-900A Card.
- Connect the supplied Hardware Watchdog Jump Wire (Figure 1-24).

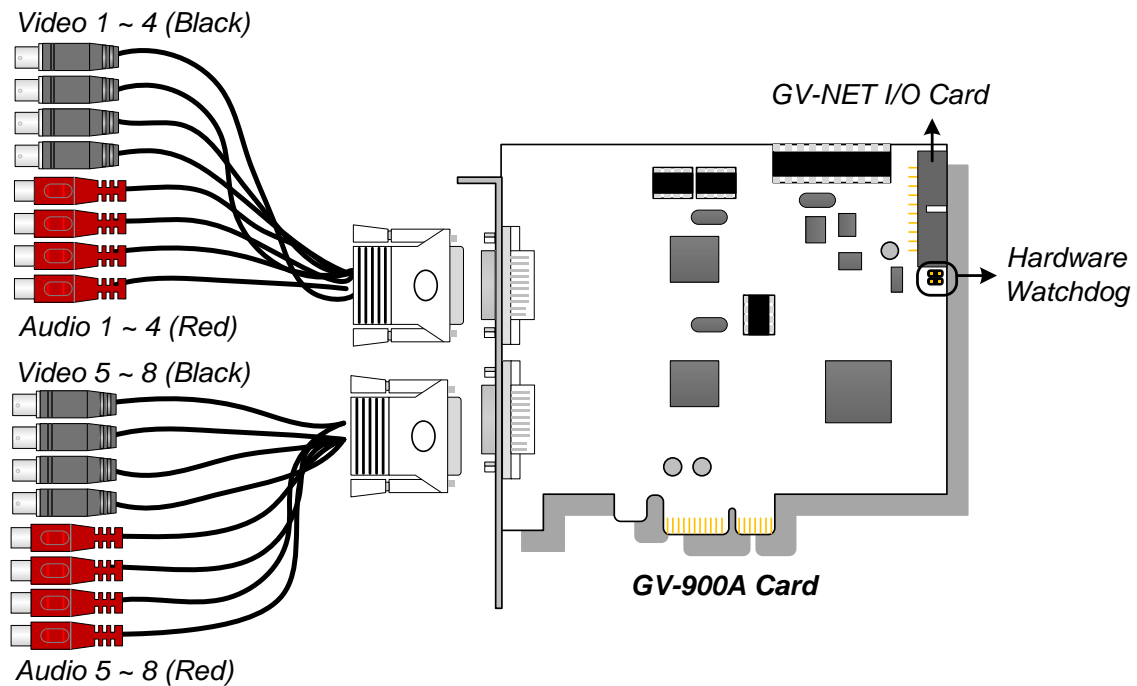


Figure 1-22

Connecting Two GV-900A Cards

You can install two GV-900A Cards for up to 32 channels. Normally, the card attached to the lower PCI-E slot number will act as Master, and the card attached to the higher PCI-E slot number will act as Slave.

- **Hardware Watchdog Connection:** Connect the supplied Hardware Watchdog Jump Wire to the Master Card only (Figure 1-24).
- **Accessory Card Connections:**
 - ⊙ GV-NET/IO Card: Connect the card to the Master Card only.

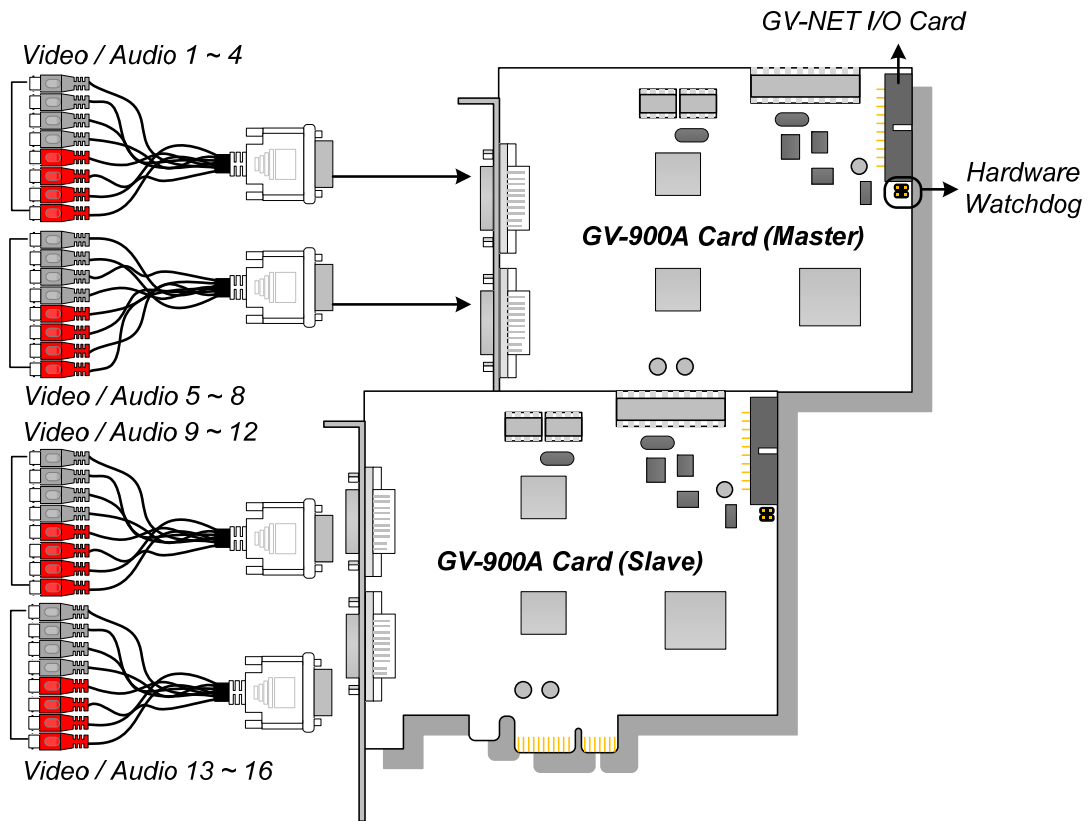


Figure 1-23

Connecting Hardware Watchdog

Insert the Hardware Watchdog Jumper Wire to the 2-pin connectors on the Card. The (+) pin on the Card must connect to the Reset (+) pin on the motherboard, and the (-) pin on the Card to the Ground (-) pin on the motherboard. Ensure the connection is correct; otherwise the hardware watchdog will not work.

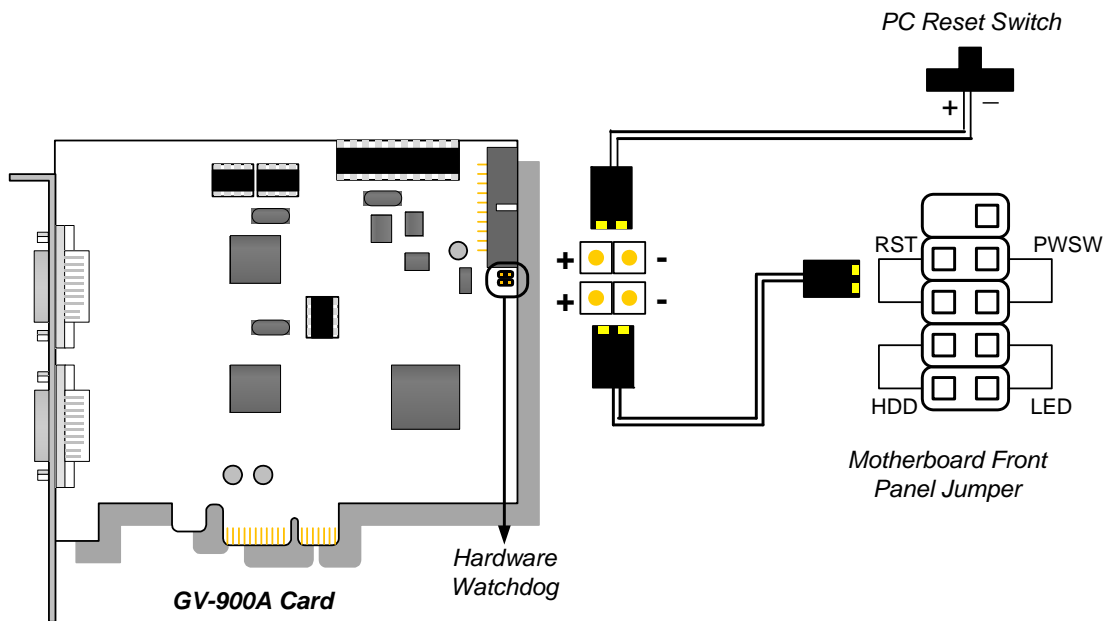


Figure 1-24

Note: To locate the motherboard's Reset (+) pin and (-) pin, please refer to the motherboard's user manual.

Installing Drivers

After installing the GV-900A Card in the computer, insert the software DVD. The DVD will run automatically and an installation window will pop up. Select **Install or Remove GeoVision GV-Series Driver**, and select **Install or Remove GeoVision GV-Series Card Drivers** to install card drivers.

To verify the drivers are installed correctly, go to Windows Device Manager and see if their entries are listed.

Expand the **DVR-Devices** field, you can see:

GV-900A Card	Entry																																
Single-card mode	GV900(A) Audio #1 ~ 8 GV900(A) Video #1 ~ 8																																
Two-card mode	<table border="0"> <tr> <td>GV900(A) Audio #1</td> <td>GV900(A) Video #1</td> </tr> <tr> <td>GV900(A) Audio #1</td> <td>GV900(A) Video #1</td> </tr> <tr> <td>GV900(A) Audio #2</td> <td>GV900(A) Video #2</td> </tr> <tr> <td>GV900(A) Audio #2</td> <td>GV900(A) Video #2</td> </tr> <tr> <td>GV900(A) Audio #3</td> <td>GV900(A) Video #3</td> </tr> <tr> <td>GV900(A) Audio #3</td> <td>GV900(A) Video #3</td> </tr> <tr> <td>GV900(A) Audio #4</td> <td>GV900(A) Video #4</td> </tr> <tr> <td>GV900(A) Audio #4</td> <td>GV900(A) Video #4</td> </tr> <tr> <td>GV900(A) Audio #5</td> <td>GV900(A) Video #5</td> </tr> <tr> <td>GV900(A) Audio #5</td> <td>GV900(A) Video #5</td> </tr> <tr> <td>GV900(A) Audio #6</td> <td>GV900(A) Video #6</td> </tr> <tr> <td>GV900(A) Audio #6</td> <td>GV900(A) Video #6</td> </tr> <tr> <td>GV900(A) Audio #7</td> <td>GV900(A) Video #7</td> </tr> <tr> <td>GV900(A) Audio #7</td> <td>GV900(A) Video #7</td> </tr> <tr> <td>GV900(A) Audio #8</td> <td>GV900(A) Video #8</td> </tr> <tr> <td>GV900(A) Audio #8</td> <td>GV900(A) Video #8</td> </tr> </table>	GV900(A) Audio #1	GV900(A) Video #1	GV900(A) Audio #1	GV900(A) Video #1	GV900(A) Audio #2	GV900(A) Video #2	GV900(A) Audio #2	GV900(A) Video #2	GV900(A) Audio #3	GV900(A) Video #3	GV900(A) Audio #3	GV900(A) Video #3	GV900(A) Audio #4	GV900(A) Video #4	GV900(A) Audio #4	GV900(A) Video #4	GV900(A) Audio #5	GV900(A) Video #5	GV900(A) Audio #5	GV900(A) Video #5	GV900(A) Audio #6	GV900(A) Video #6	GV900(A) Audio #6	GV900(A) Video #6	GV900(A) Audio #7	GV900(A) Video #7	GV900(A) Audio #7	GV900(A) Video #7	GV900(A) Audio #8	GV900(A) Video #8	GV900(A) Audio #8	GV900(A) Video #8
GV900(A) Audio #1	GV900(A) Video #1																																
GV900(A) Audio #1	GV900(A) Video #1																																
GV900(A) Audio #2	GV900(A) Video #2																																
GV900(A) Audio #2	GV900(A) Video #2																																
GV900(A) Audio #3	GV900(A) Video #3																																
GV900(A) Audio #3	GV900(A) Video #3																																
GV900(A) Audio #4	GV900(A) Video #4																																
GV900(A) Audio #4	GV900(A) Video #4																																
GV900(A) Audio #5	GV900(A) Video #5																																
GV900(A) Audio #5	GV900(A) Video #5																																
GV900(A) Audio #6	GV900(A) Video #6																																
GV900(A) Audio #6	GV900(A) Video #6																																
GV900(A) Audio #7	GV900(A) Video #7																																
GV900(A) Audio #7	GV900(A) Video #7																																
GV900(A) Audio #8	GV900(A) Video #8																																
GV900(A) Audio #8	GV900(A) Video #8																																

Specifications

			GV-900A	GV-900A x 2
Interface			PCI-E x1	
Input Type			DVI	
Video Input			8, 16, 32 Cams	16, 24, 32 Cams
Audio Input			8 Channels	16 Channels
Recording Rate	CIF	NTSC	8-port: 240 fps 32-port: 240 fps	8+8 port: 480 fps 16+16 port: 480 fps
		PAL	8-port: 200 fps 32-port: 200 fps	8+8 port: 400 fps 16+16 port: 400 fps
	D1	NTSC	8-port: 240 fps 32-port: 120 fps	8+8 port: 480 fps 16+16 port: 240 fps
		PAL	8-port: 240 fps 32-port: 100 fps	8+8 port: 480 fps 16+16 port: 200 fps
Display Rate	CIF	NTSC	8-port: 240 fps 32-port: 240 fps	8+8 port: 480 fps 16+16 port: 480 fps
		PAL	8-port: 200 fps 32-port: 200 fps	8+8 port: 400 fps 16+16 port: 400 fps
	D1	NTSC	8-port: 240 fps 32-port: 120 fps	8+8 port: 480 fps 16+16 port: 240 fps
		PAL	8-port: 240 fps 32-port: 100 fps	8+8 port: 480 fps 16+16 port: 200 fps
Video Resolution		NTSC	704 x 480, 704 x 480 De-interlace, 640 x 480, 640 x 480 De-interlace, 352 x 240, 320 x 240	
		PAL	704x 576, 704 x 576 De-interlace, 640 x 480, 640 x 480 De-interlace, 352 x 288, 320 x 240	
Video Compression Format			Geo MPEG4, Geo H264	
Audio Compression Format			AAC (16 kHz / 16 bit)	
GV-NET/IO Card Support			Yes	
Dimensions (W x H)			127 x 112 mm / 4.7 x 4.4 in	

1.7 GV-650A, GV-800A

The GV-650A and GV-800A Cards have similar appearances, system requirements and packing list so that we introduce both together in this section. However, you may choose between the two according to your need for recording rate and audio channels.

Minimum System Requirements

OS	32-bit	Windows XP / Windows Vista / Windows 7 / Windows Server 2008	
	64-bit	Windows 7 / Windows Server 2008	
CPU	GV-650A	Pentium 4, 2.4 GHz	
	GV-650A x 2	Pentium 4, 2.8 GHz with Hyper-Threading	
	GV-800A	Pentium 4, 3.0 GHz with Hyper-Threading	
	GV-800A x 2	Pentium 4, 3.0 GHz Dual Core	
RAM	GV-650A / GV-800A	Windows XP	2 x 512 MB Dual Channels
		Windows Vista / 7 / Server 2008	2 x 1 GB Dual Channels
	GV-650A x 2 / GV-800A x 2	2 x 1 GB Dual Channels	
HDD	GV-650A / GV-800A	80 GB	
	GV-650A x 2 / GV-800A x 2	160 GB	
VGA	GV-650A / GV-800A	ATI Radeon X600 / NVIDIA 6200	
	GV-650A x 2		
	GV-800A x 2	ATI Radeon X1300 PCI-E / NVIDIA GeForce 7300 PCI-E	
DirectX	9.0c		

Packing List

- | | |
|------------------------------------------------|----------------------------------------------|
| 1. GV-800A or GV-650A Card x 1 | 5. Hardware Watchdog Jumper Wire x 1 |
| 2. Audio Extension Card x 1 ** | 6. Software DVD x 1 |
| 3. 1-8 Cams with 4-Port Audio D-Type Cable x 1 | 7. Surveillance System Quick Start Guide x 1 |
| 4. 9-16 Cams D-Type Cable x 1 * | |

* Supplied with 12-16 Cams D-Type Video Capture Card

** Supplied with GV-800A Card only

Connecting One GV-650A / GV-800A Card

The GV-650A Card is designed with a D-Type connector while the GV-800A Card is designed with two types of connectors: BNC and D-Type. BNC type only provides four video channels; audio extension card is required for extension. D-Type can provide up to 16 video channels and four audio channels together.

For the D-Type video capture card, plug the black video/audio cable into the black connector on the GV-650A / 800A Card; the blue video cable into the blue connector, as illustrated below.

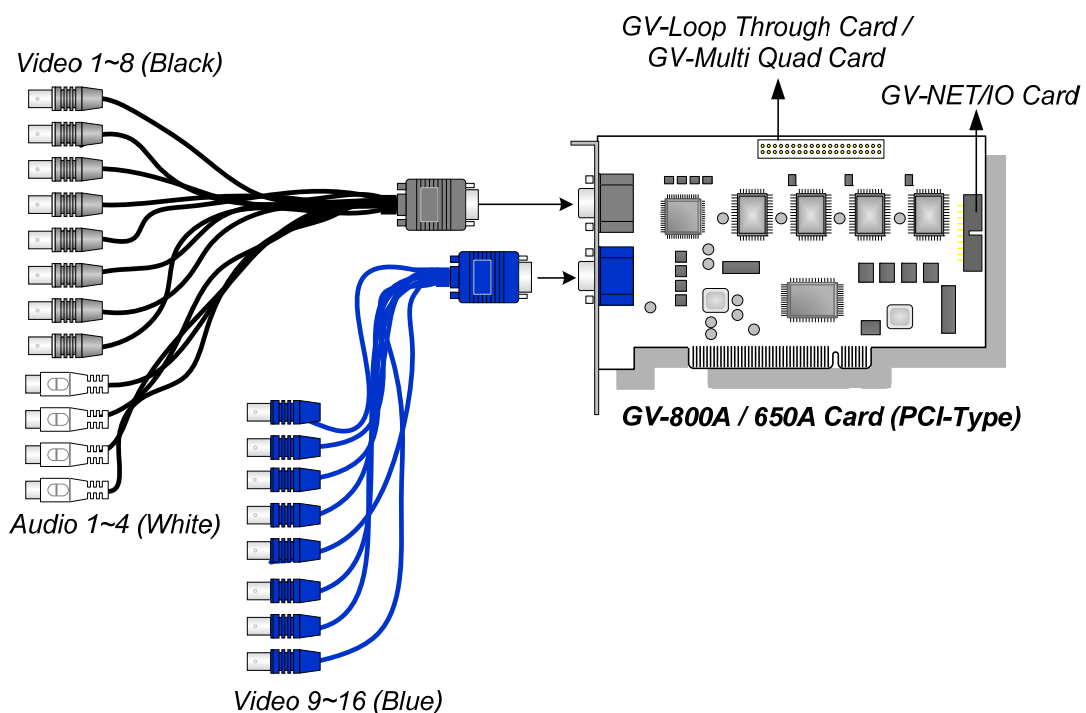


Figure 1-25 D-Type GV-650A / GV-800A Card with PCI interface

Note: The GV-650A Card only supports two audio channels so that only two audio ports can work in the supplied 1-8 Cams with 4-Port Audio D-Type cable.

For the BNC-type video capture card, plug the Audio Extension Card into the connector on the GV-804A Card, as illustrated below.

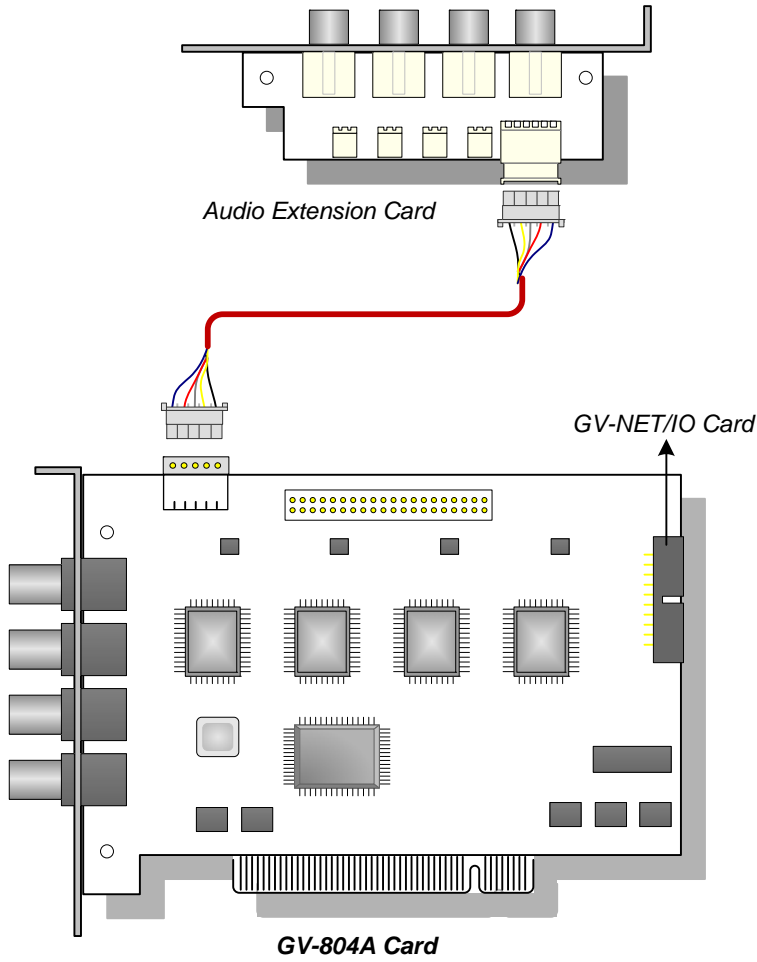


Figure 1-26 BNC-type GV-804A Card

Connecting Two GV-650A / GV-800A Cards

You can install two GV-650A / GV-800A of the same model for up to 32 channels. Master Card is the card with 1-16 channels and Slave Card is that with 17-32 channels. Normally, the card attached to the lower PCI slot number will act as Master, and the card attached to the higher PCI slot number will act as Slave.

Note: To install two GV-800A Cards, ensure one of both has PCI-E interface. For the detailed rules for two-card mode, see [1.10 Installing Two Cards](#).

- **Two GV-650A Cards only support four audio channels:** Connect microphones to Audio 1 and Audio 2 connectors of the Master Card, and Audio 5 and Audio 6 connectors of the Slave Card.
- **Hardware Watchdog Connection:** Connect the supplied Hardware Watchdog Jump Wire to the Master Card only (Figure 1-28).
- **Accessory Card Connections:**
 - ⊙ GV-NET/IO Card: Connect the card to the Master Card only.
 - ⊙ GV-Loop Through Card: Connect the card for each video capture card.
 - ⊙ GV-Multi Quad Card: Only connect one card to any of two video capture cards.

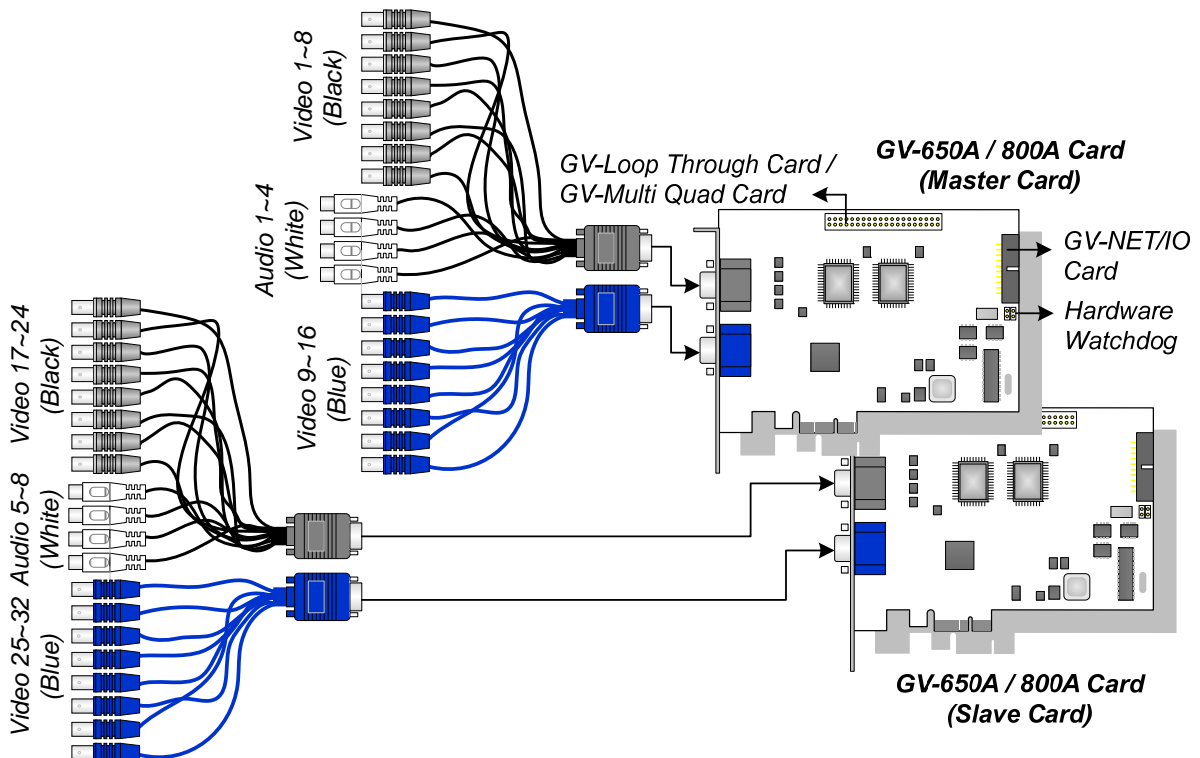


Figure 1-27 D-Type GV-650A / 800A Cards with PCI-E interface

Connecting Hardware Watchdog

Insert the Hardware Watchdog Jumper Wire to the 2-pin connectors on the Card. The (+) pin on the Card must connect to the Reset (+) pin on the motherboard, and the (-) pin on the Card to the Ground (-) pin on the motherboard. Ensure the connection is correct; otherwise the hardware watchdog will not work.

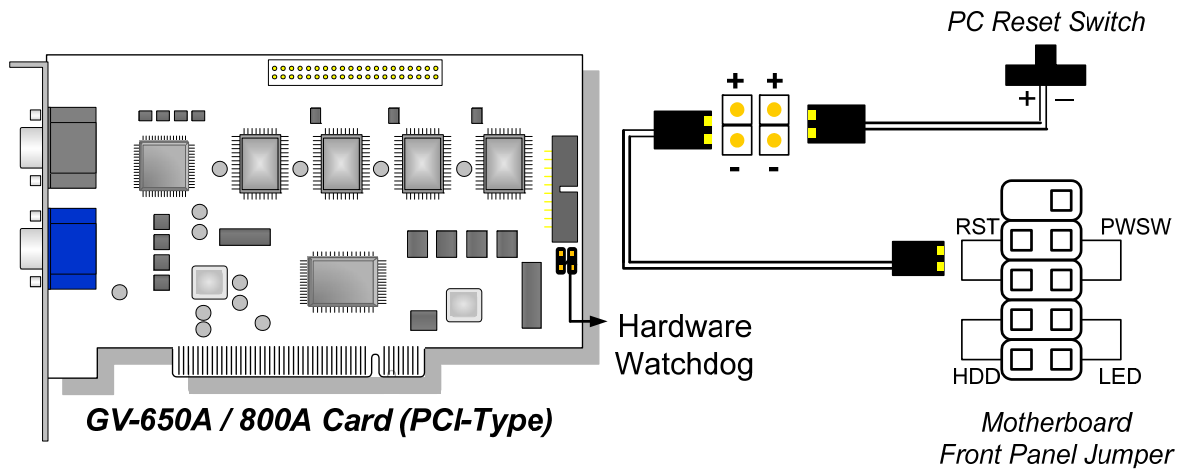


Figure 1-28

Note: To locate the motherboard's Reset (+) pin and (-) pin, please refer to the motherboard's user manual.

Installing Drivers

After installing the GV-650A / GV-800A Card in the computer, insert the software DVD. The DVD will run automatically and an installation window will pop up. Select **Install or Remove GeoVision GV-Series Driver**, and select **Install or Remove GeoVision GV-Series Card Drivers** to install card drivers.

To verify the drivers are installed correctly, go to Windows Device Manager and see if their entries are listed.

Expand the **DVR-Devices** field, you can see:

Card Model		Entry
GV-650A Card	Single-card mode	GV650(V4) Audio #1 ~ 2 GV650(V4) Video Capture #1 ~ 2
	Two-card mode	GV650(V4) Audio #1 GV650(V4) Audio #1 GV650(V4) Audio #2 GV650(V4) Audio #2 GV650(V4) Video Capture #1 GV650(V4) Video Capture #1 GV650(V4) Video Capture #2 GV650(V4) Video Capture #2
GV-800A Card	Single-card mode	GV800(V4) Audio #1 ~ 4 GV800(V4) Video Capture #1 ~ 4
	Two-card mode	GV800(V4) Audio #1 GV800(V4) Audio #1 GV800(V4) Audio #2 GV800(V4) Audio #2 GV800(V4) Audio #3 GV800(V4) Audio #3 GV800(V4) Audio #4 GV800(V4) Audio #4 GV800(V4) Video Capture #1 GV800(V4) Video Capture #1 GV800(V4) Video Capture #2 GV800(V4) Video Capture #2 GV800(V4) Video Capture #3 GV800(V4) Video Capture #3 GV800(V4) Video Capture #4 GV800(V4) Video Capture #4

Specifications

		GV-650A	GV-800A
Interface		PCI, PCI-E x1	
Input Type	BNC	None	BNC x 4
	D-Type	D-Type x 2	
Video Input		4, 8, 12, 16 Cams	
Audio Input		2 Channels	4 Channels
Recording Rate	CIF	NTSC	60 fps
		PAL	50 fps
	D1	NTSC	30 fps
		PAL	25 fps
Display Rate	CIF	NTSC	60 fps
		PAL	50 fps
	D1	NTSC	30 fps
		PAL	25 fps
Video Resolution		NTSC	704 x 480, 704 x 480 De-interlace, 640 x 480, 640 x 480 De-interlace, 352 x 240, 320 x 240
		PAL	704x 576, 704 x 576 De-interlace, 640 x 480, 640 x 480 De-interlace, 352 x 288, 320 x 240
Video Compression Format		Geo MPEG4, Geo H264	
Audio Compression Format		AAC (16 kHz / 16 bit)	
GV-NET/IO Card Support		Yes	
Dimensions (W x H)		BNC	GV-804A
		D-Type	GV-650A
			GV-800A
		152 x 94 mm / 5.98 x 3.7 in	174 x 98 mm / 6.85 x 3.86 in
		174 x 98 mm / 6.85 x 3.86 in	174 x 98 mm / 6.85 x 3.86 in

		GV-650A x 2	GV-800A x 2
Interface		PCI, PCI-E x1	
Input Type	BNC	None	BNC x 8
	D-Type	D-Type x 4	
Video Input		32 Cams (Max.)	16, 20, 24, 28, 32 Cams
Audio Input		4 Channels	8 Channels
Recording Rate	CIF	NTSC	120 fps
		PAL	100 fps
	D1	NTSC	60 fps
		PAL	50 fps
Display Rate	CIF	NTSC	240 fps
		PAL	200 fps
	D1	NTSC	120 fps
		PAL	100 fps
Video Resolution		NTSC	704 x 480, 704 x 480 De-interlace, 640 x 480, 640 x 480 De-interlace, 352 x 240, 320 x 240
		PAL	704x 576, 704 x 576 De-interlace, 640 x 480, 640 x 480 De-interlace, 352 x 288, 320 x 240
Video Compression Format		Geo MPEG4, Geo H264	
Audio Compression Format		AAC (16 kHz / 16 bit)	
GV-NET/IO Card Support		Yes	
GV-Multi Quad Card Support		Yes	
GV-Loop Through Card Support		Yes	
Dimensions (W x H)	BNC	GV-804A	152 x 94 mm / 5.98 x 3.7 in
	D-Type	GV-650A	174 x 98 mm / 6.85 x 3.86 in
		GV-800A	174 x 98 mm / 6.85 x 3.86 in

1.8 GV-600A

There are two types of GV-600A Cards: BNC and D-Type. BNC-Type only provides four video channels; video and audio extension cards are required for extension. D-Type can provide up to 16 video channels and one audio channel together.

Minimum System Requirements

OS	32-bit	Windows XP / Windows Vista / Windows 7 / Windows Server 2008	
	64-bit	Windows 7 / Windows Server 2008	
CPU	GV-600A	Pentium 4, 2.0 GHz	
	GV-600A x 2	Pentium 4, 2.6 GHz with Hyper-Threading	
RAM	GV-600A	Windows XP	2 x 512 MB Dual Channels
		Windows Vista / 7 / Server 2008	2 x 1 GB Dual Channels
	GV-600A x 2	2 x 1 GB Dual Channels	
HDD	GV-600A	80 GB	
	GV-600A x 2	160 GB	
VGA	ATI Radeon X600 / NVIDIA 6200		
DirectX	9.0c		

Packing List

1. GV-600A Card x 1
2. Audio Extension Card x 1 **
3. 1-8 Cams with 4-Port Audio D-Type
4. 9-16 Cams D-Type Cable x 1 *
5. Hardware Watchdog Jumper
6. Software DVD x 1
7. Surveillance System Quick Start Guide x 1

* Supplied with 10-16 Cams D-Type Video Capture Card

** Supplied with BNC Video Capture Card

Connecting One GV-600A Card

For the D-Type video capture card, plug the black video / audio cable into the black connector on the GV-600A Card; the blue video cable into the blue connector, as illustrated below.

Note: The GV-600A Card only supports one audio channel so that only one audio port can work in the supplied 1-8 Cams with 4-Port Audio D-Type cable.

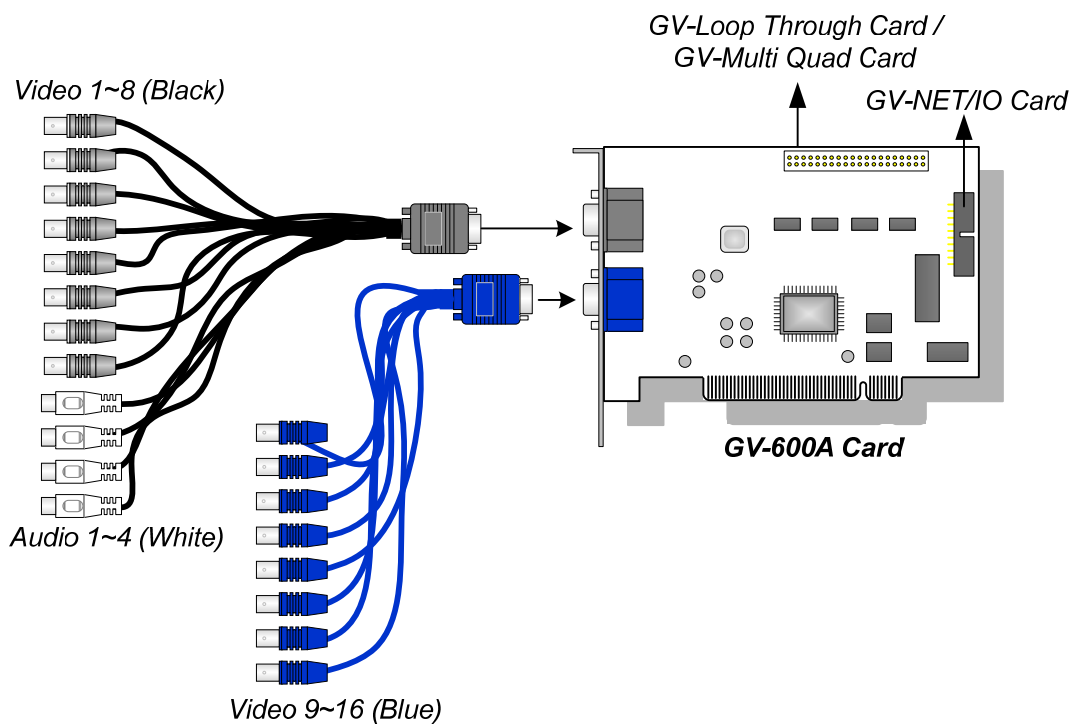


Figure 1-29

For the BNC-Type video capture card, plug the Audio Extension Card into the connector on the GV-600A Card, as illustrated below.

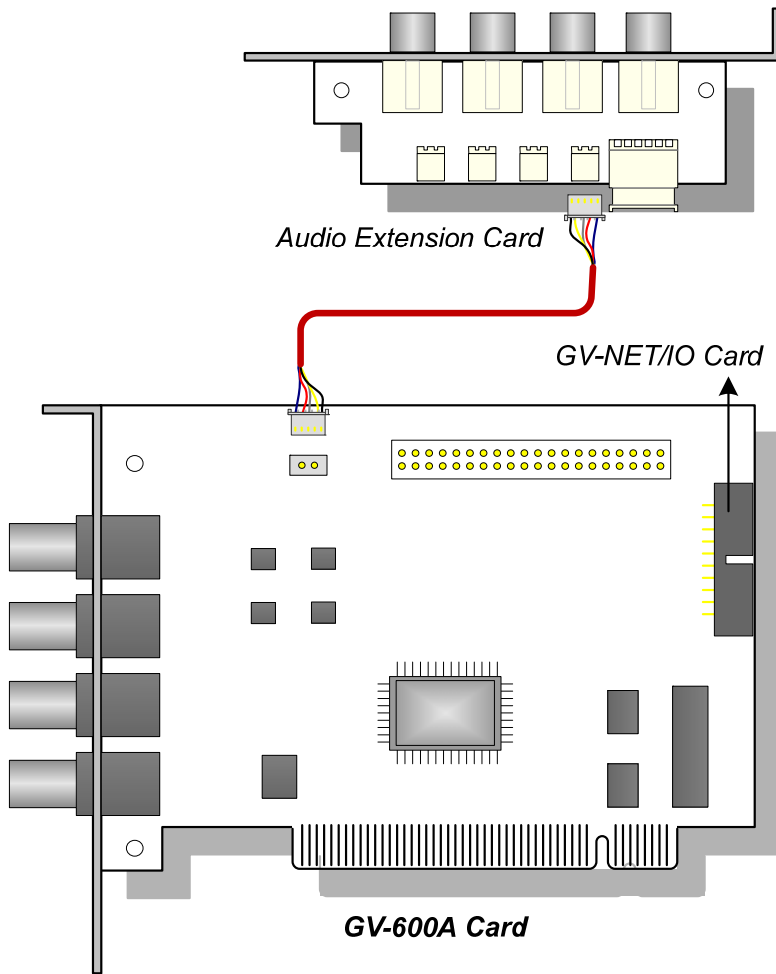


Figure 1-30

Connecting Two GV-600A Cards

You can install two GV-600A Cards for up to 32 channels. Master Card is the card with 1-16 channels and Slave Card is that with 17-32 channels. Normally, the card attached to the lower PCI slot number will act as Master, and the card attached to the higher PCI slot number will act as Slave.

- **Two GV-600A Cards only support two audio channels:** Connect microphones to Audio 1 connector of the Master Card, and Audio 5 connector of the Slave Card.
- **Hardware Watchdog Connection:** Connect the supplied Hardware Watchdog Jump Wire to the Master Card only (Figure 1-32).
- **Accessory Card Connections:**
 - ⊙ GV-NET/IO Card: Connect the card to the Master Card only.
 - ⊙ GV-Loop Through Card: Connect the card for each video capture card.
 - ⊙ GV-Multi Quad Card: Only connect one card to any of two video capture cards.

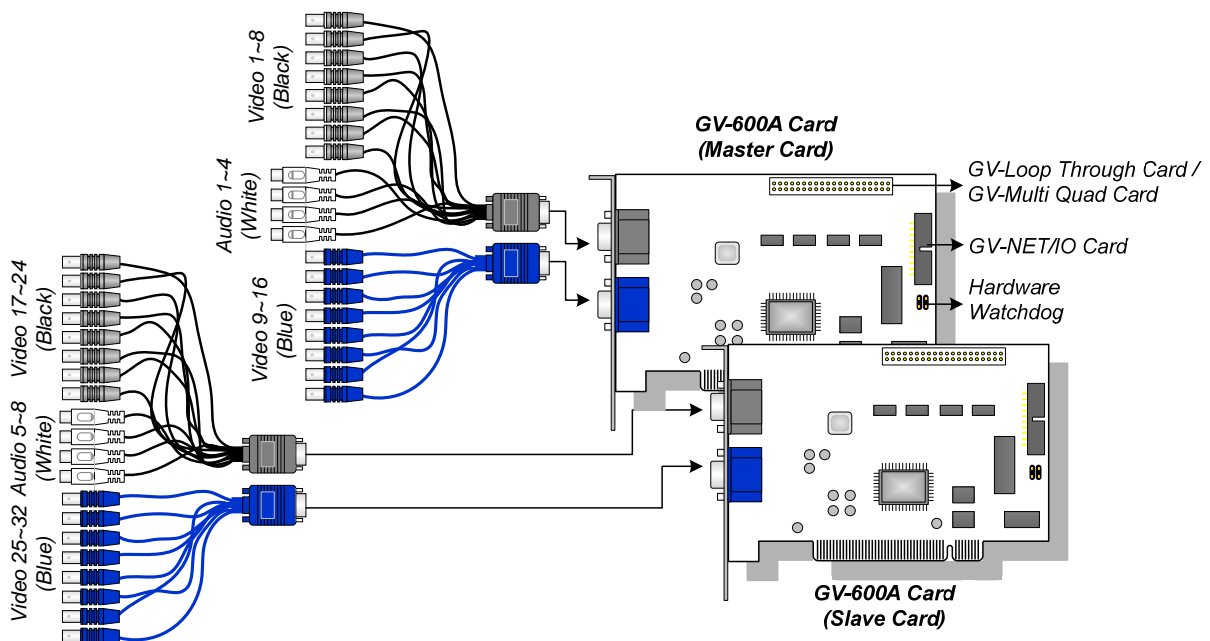


Figure 1-31

Connecting Hardware Watchdog

To reboot the computer by the hardware watchdog on the GV-Video Capture Card, a connection needs to be made from the card to the motherboard.

1. Using the supplied jumper wire, connect the reset jumper pins on the card and on the motherboard.

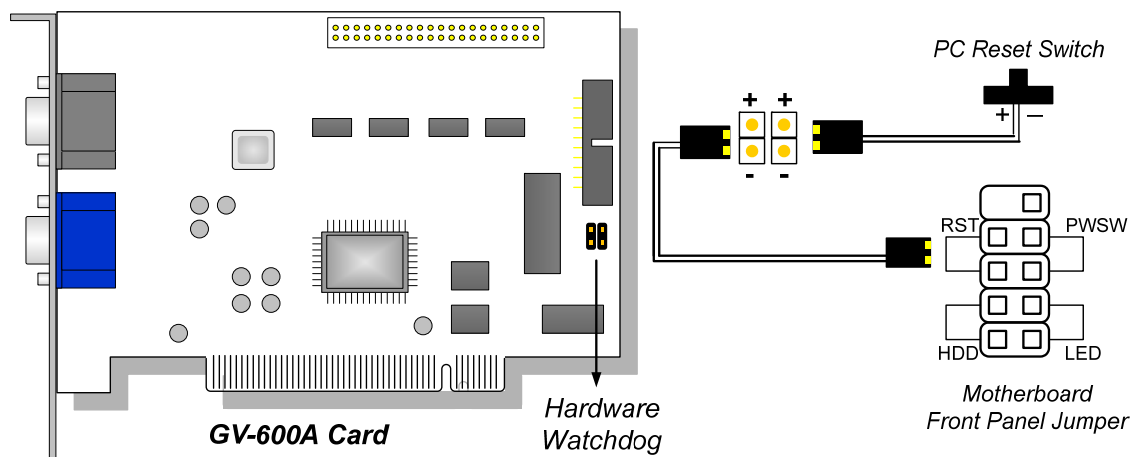


Figure 1-32

2. If the computer has a reset switch, the switch's jumper wire should already be connected to the motherboard's reset jumper pins. Remove the switch wire from the motherboard and connect it to the reset jumper pins on the card.

Installing Drivers

After installing the GV-600A Card in the computer, insert the software DVD. The DVD will run automatically and an installation window will pop up. Select **Install or Remove GeoVision GV-Series Driver**, and select **Install or Remove GeoVision GV-Series Card Drivers** to install card drivers.

To verify the drivers are installed correctly, go to Windows Device Manager and see if their entries are listed.

Expand the **DVR-Devices** field, you can see:

GV-600A Card	Entry
Single-card mode	GV600(V4) Audio GV600(V4) Video Capture
Two-card mode	GV600(V4) Audio GV600(V4) Audio GV600(V4) Video Capture GV600(V4) Video Capture

Specifications

			GV-600A x 1	GV-600A x 2
Interface			PCI	
Input Type	BNC		BNC x 4	BNC x 8
	D-Type		D-Type x 2	D-Type x 4
Video Input			1, 2, 4, 6, 8, 10, 12, 14, 16 Cams	32 Cams (Max.)
Audio Input			1 Channel	2 Channels
Recording Rate	CIF	NTSC	30 fps	60 fps
		PAL	25 fps	50 fps
	D1	NTSC	15 fps	30 fps
		PAL	12.5 fps	25 fps
Display Rate	CIF	NTSC	30 fps	60 fps
		PAL	25 fps	50 fps
	D1	NTSC	15 fps	30 fps
		PAL	12.5 fps	25 fps
Video Resolution		NTSC	704 x 480, 704 x 480 De-interlace, 640 x 480, 640 x 480 De-interlace, 352 x 240, 320 x 240	
		PAL	704 x 576, 704 x 576 De-interlace, 640 x 480, 640 x 480 De-interlace, 352 x 288, 320 x 240	
Video Compression Format			Geo MPEG4, Geo H264	
Audio Compression Format			AAC (16 kHz / 16 bit)	
GV-NET/IO Card Support			Yes	
GV-Multi Quad Card Support			Yes	
GV-Loop Through Card Support			Yes	
Dimensions (W x H)			144 x 89 mm / 5.67 x 3.50 in	

1.9 GV-600B, GV-650B, GV-800B

There are two types of GV-600B / GV-650B / GV-800B Card: PCI and PCI-E. Both types of the GV-600B / GV-650B / GV-800B Card provide up to 16 video channels and 4 audio channels. The GV-600B, GV-650B and GV-800B Cards have the same appearances and similar system requirements so that we introduce the three cards together in this section. However, you may choose among the three according to your need for recording rate.

Minimum System Requirements

OS	32-bit	Windows XP / Windows Vista / Windows 7 / Windows Server 2008	
	64-bit	Windows 7 / Windows Server 2008	
CPU	GV-600B	Pentium 4, 2.0 GHz	
	GV-600B x 2	Pentium 4, 2.6 GHz with Hyper Threading	
	GV-650B	Pentium 4, 2.4 GHz	
	GV-650B x 2	Pentium 4, 2.8 GHz with Hyper Threading	
	GV-800B	Pentium 4, 3.0 GHz with Hyper-Threading	
	GV-800B x 2	Pentium 4, 3.0 GHz Dual Core	
RAM	GV-600B / 650B / 800B	Windows XP	2 x 512 MB Dual Channels
		Windows Vista / 7 / Server 2008	2 x 1 GB Dual Channels
	GV-600B x 2 / 650B x 2 / 800B x 2	2 x 1 GB Dual Channels	
HDD	GV-600B / 650B / 800B	80 GB	
	GV-600B x 2 / 650B x 2 / 800B x 2	160 GB	
VGA	GV-600B / 650B / 800B	ATI Radeon X600 / NVIDIA 6200	
	GV-600B x 2 / 650B x 2		
	GV-800B x 2	ATI Radeon X1300 PCI-E / NVIDIA GeForce 7300 PCI-E	
DirectX	9.0c		

Packing List

- | | |
|---------------------------------------------------------------------------------------------------------------------------------------------------|----------------------------------------------|
| 1. GV-600B, GV-650B or GV-800B Card x 1 | 3. Hardware Watchdog Jumper Wire x 1 |
| 2. 1-16 Cams with 4-Port Audio DVI-Type Cable x 1 / 1-8 Cams with 4-Port Audio DVI-Type Cable x 1 / 1-4 Cams with 4-Port Audio DVI-Type Cable x 1 | 4. Software DVD x 1 |
| | 5. Surveillance System Quick Start Guide x 1 |

Note: The **1-16 Cams with 4-Port Audio DVI-Type** cable is supplied with GV-600B / GV-650B / GV-800B card with 16 video inputs, the **1-8 Cams with 4-Port Audio DVI-Type** cable is supplied with GV-600B / GV-650B / GV-800B card with 8 video inputs, while the **1-4 Cams with 4-Port Audio DVI-Type** cable is supplied with GV-600B / GV-650B / GV-800B card with 4 video inputs.

Connecting One GV-600B / GV-650B / GV-800B Card

There are two types of GV-600B / GV-650B / GV-800B Card: PCI and PCI-E. Here we take the GV-600B / GV-650B / GV-800B Card with PCI interface for example to illustrate the connection.

- Connect the video / audio cables into the DVI ports of the GV-600B / GV-650B / GV-800B Card.
- Connect the supplied Hardware Watchdog Jump Wire (Figure 1-35).

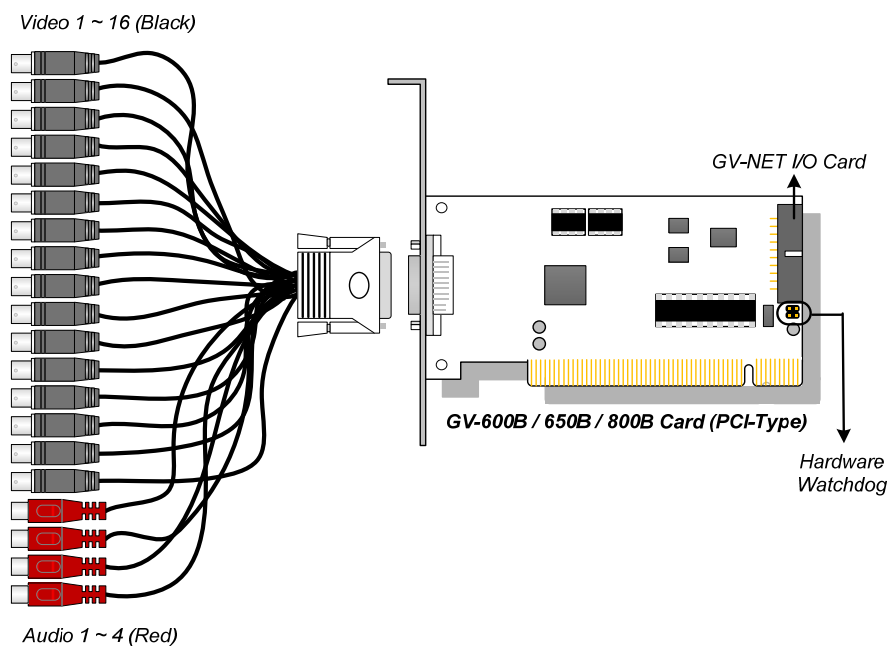


Figure 1-33

Connecting Two GV-600B / GV-650B / GV-800B Cards

You can install two GV-600B / GV-650B / GV-800B Cards of the same model for up to 32 channels. Master Card is the card with 1-16 channels and Slave Card is that with 17-32 channels. Normally, the card attached to the lower PCI-E slot number will act as Master, and the card attached to the higher PCI-E slot number will act as Slave.

Note:

1. You can only install two cards of the same model for a total of 32 channels.
 2. For two-card mode, it is required to use two PCI-E cards.
-

- **Hardware Watchdog Connection:** Connect the supplied Hardware Watchdog Jump Wire to the Master Card only (Figure 1-35).
- **Accessory Card Connection:** Connect the GV-NET/IO Card to the Master Card only.

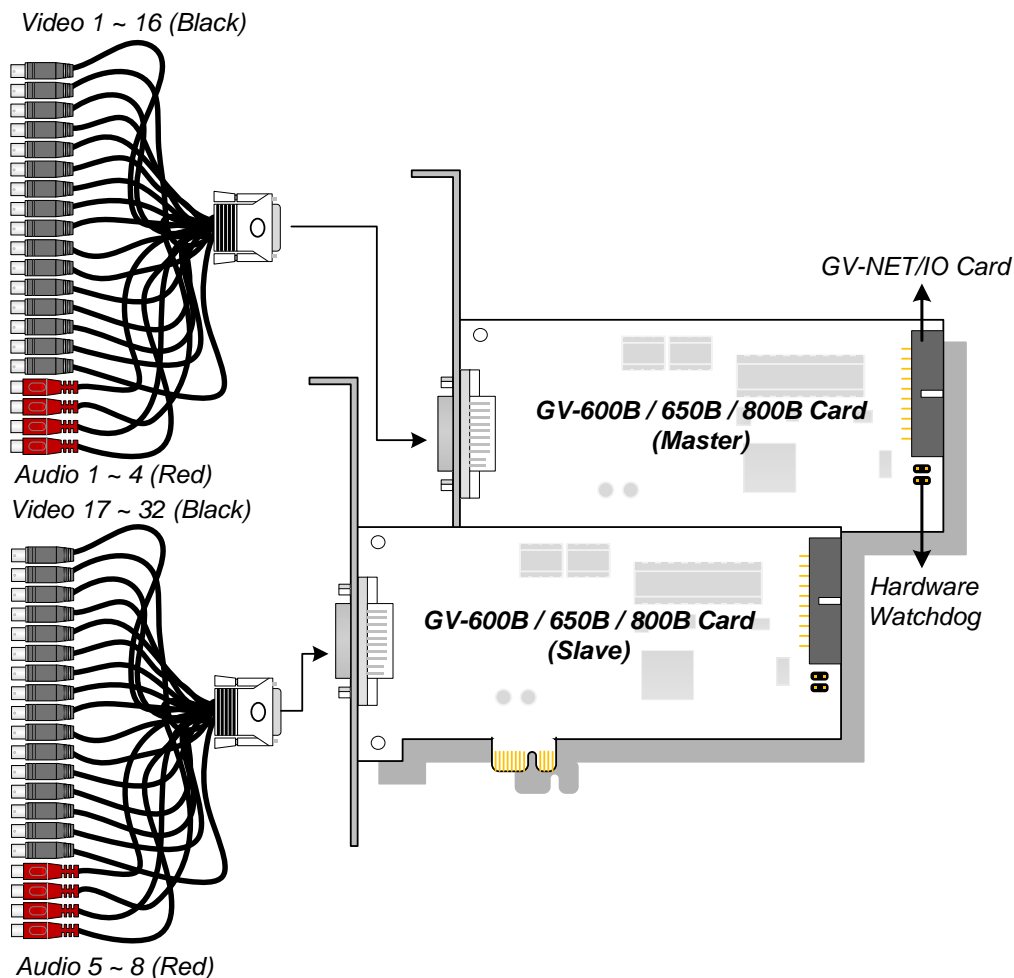


Figure 1-34

Connecting Hardware Watchdog

Insert the Hardware Watchdog Jumper Wire to the 2-pin connectors on the Card. The (+) pin on the Card must connect to the Reset (+) pin on the motherboard, and the (-) pin on the Card to the Ground (-) pin on the motherboard. Ensure the connection is correct; otherwise the hardware watchdog will not work.

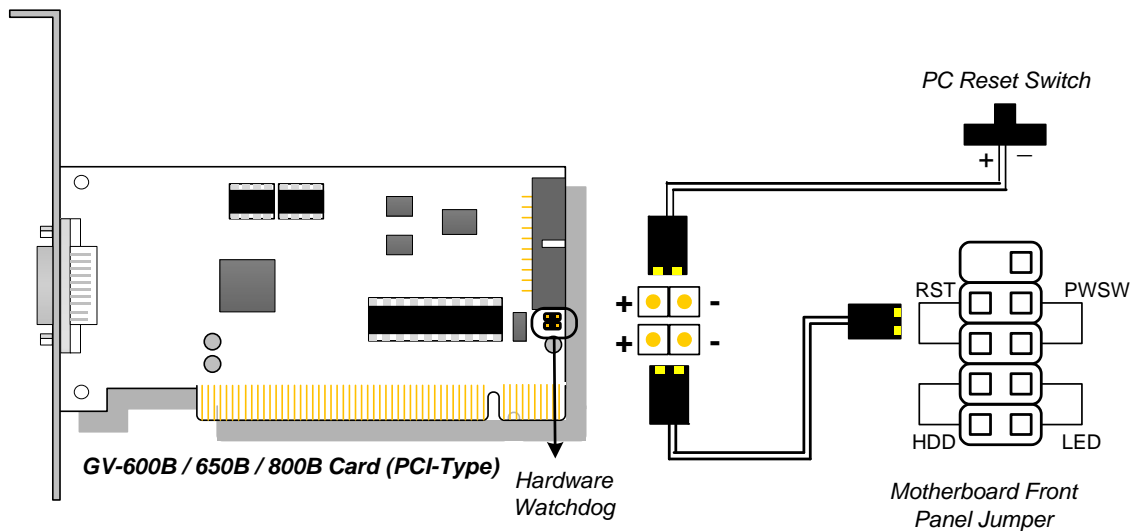


Figure 1-35

Note: To locate the motherboard's Reset (+) pin and (-) pin, please refer to the motherboard's user manual.

Installing Drivers

After installing the GV-600B / GV-650B / GV-800B Card in the computer, insert the software DVD. The DVD will run automatically and an installation window will pop up. Select **Install or Remove GeoVision GV-Series Driver**, and select **Install or Remove GeoVision GV-Series Card Drivers** to install card drivers.

To verify the drivers are installed correctly, go to Windows Device Manager and see if their entries are listed.

Expand the **DVR-Devices** field, you can see:

Card Models	Entry	
GV-600B	GV600(B) Audio #1 ~ 4 GV600(B) Video #1 ~ 4	
GV-600B x 2	GV600(B) Audio #1 GV600(B) Audio #1 GV600(B) Audio #2 GV600(B) Audio #2 GV600(B) Audio #3 GV600(B) Audio #3 GV600(B) Audio #4 GV600(B) Audio #4	GV600(B) Video #1 GV600(B) Video #1 GV600(B) Video #2 GV600(B) Video #2 GV600(B) Video #3 GV600(B) Video #3 GV600(B) Video #4 GV600(B) Video #4
GV-650B	GV650(B) Audio #1 ~ 4 GV650(B) Video #1 ~ 4	
GV-650B x 2	GV650(B) Audio #1 GV650(B) Audio #1 GV650(B) Audio #2 GV650(B) Audio #2 GV650(B) Audio #3 GV650(B) Audio #3 GV650(B) Audio #4 GV650(B) Audio #4	GV650(B) Video #1 GV650(B) Video #1 GV650(B) Video #2 GV650(B) Video #2 GV650(B) Video #3 GV650(B) Video #3 GV650(B) Video #4 GV650(B) Video #4
GV-800B	GV800(B) Audio #1 ~ 4 GV800(B) Video #1 ~ 4	
GV-800B x 2	GV800(B) Audio #1 GV800(B) Audio #1 GV800(B) Audio #2 GV800(B) Audio #2 GV800(B) Audio #3 GV800(B) Audio #3 GV800(B) Audio #4 GV800(B) Audio #4	GV800(B) Video #1 GV800(B) Video #1 GV800(B) Video #2 GV800(B) Video #2 GV800(B) Video #3 GV800(B) Video #3 GV800(B) Video #4 GV800(B) Video #4

Specifications

			GV-600B	GV-650B	GV-800B
Interface			PCI, PCI-E x1		
Input Type			DVI		
Video Input			4, 8, 16 Cams		
Audio Input			4 Channels		
Recording Rate	CIF	NTSC	30 fps	60 fps	120 fps
		PAL	25 fps	50 fps	100 fps
	D1	NTSC	15 fps	30 fps	60 fps
		PAL	12.5 fps	25 fps	50 fps
Display Rate	CIF	NTSC	30 fps	60 fps	120 fps
		PAL	25 fps	50 fps	100 fps
	D1	NTSC	15 fps	30 fps	60 fps
		PAL	12.5 fps	25 fps	50 fps
Video Resolution		NTSC	704 x 480, 704 x 480 De-interlace, 640 x 480, 640 x 480 De-interlace, 352 x 240, 320 x 240		
		PAL	704 x 576, 704 x 576 De-interlace, 640 x 480, 640 x 480 De-interlace, 352 x 288, 320 x 240		
Video Compression Format			Geo MPEG4, Geo H264		
Audio Compression Format			AAC (16 kHz / 16 bit)		
GV-NET/IO Card Support			Yes		
Dimensions (W x H)			PCI-Type: 120 x 65 mm / 4.7 x 2.5 in PCI-E Type: 120 x 82 mm / 4.7 x 3.2 in		

			GV-600B x 2	GV-650B x 2	GV-800B x 2
Interface			PCI-E x1		
Input Type			DVI		
Video Input			8, 16, 32 Cams		
Audio Input			8 Channels		
Recording Rate	CIF	NTSC	60 fps	120 fps	240 fps
		PAL	50 fps	100 fps	200 fps
	D1	NTSC	30 fps	60 fps	120 fps
		PAL	25 fps	50 fps	100 fps
Display Rate	CIF	NTSC	60 fps	120 fps	240 fps
		PAL	50 fps	100 fps	200 fps
	D1	NTSC	30 fps	60 fps	120 fps
		PAL	25 fps	50 fps	100 fps
Video Resolution		NTSC	704 x 480, 704 x 480 De-interlace, 640 x 480, 640 x 480 De-interlace, 352 x 240, 320 x 240		
		PAL	704 x 576, 704 x 576 De-interlace, 640 x 480, 640 x 480 De-interlace, 352 x 288, 320 x 240		
Video Compression Format			Geo MPEG4, Geo H264		
Audio Compression Format			AAC (16 kHz / 16 bit)		
GV-NET/IO Card Support			Yes		
Dimensions (W x H)			PCI-E Type: 120 x 82 mm / 4.7 x 3.2 in		

1.10 Installing Two Cards

You can install two video capture cards of the same model for a total of 32 channels. For example, 2 x GV-650A Cards (16 channels) = 32 channels.

It is also possible to implement two video capture cards of different channels. For example, GV-650A Card (12 channels) + GV-650A Card (16 channels) = 28 channels.

Note: Besides GV-804A Card and GV-600B / 650B / 800B Card with PCI interface, all GV video capture cards support two-card mode.

Rules to Use Two Cards

GV video capture cards have two interface types: PCI and PCI Express (PCI-E). When you install two video capture cards, ensure they are installed in the right slots as instructed in the following tables.

- **GV-600A, GV-650A, GV-800A**

Card Combination	V3.20 and later	V4.20 and later	
V3.20 and later	X	X	
V4.20 and later	X	GV-600A	PCI x 2
		GV-650A	PCI x 2
			PCI-E x 2
			PCI x 1+ PCI-E x 1
		GV-800A	PCI-E x 2
			PCI x 1+ PCI-E x 1

1. The V3.20 (and later) Cards or the combination of V3.20 and V4.20 (and later) Cards do not support two-card mode.
2. For GV-600A cards, it is required to use two PCI slots.
3. For GV-650A cards, you can use two PCI slots, two PCI Express slots, or the combination of PCI and PCI Express slots.
4. For GV-800A cards, it is required to use two PCI Express slots, or the combination of PCI and PCI Express slots.

- **GV-600B, GV-650B, GV-800B, GV-900A**

Card Combination	GV-600B / 650B / 800B / 900A
GV-600B / 650B / 800B / 900A	PCI-E x 2

1. For GV-600B / 650B / 800B card, it is required to use two PCI Express slots.

- **GV-1120A, GV-1240A, GV-1480A**

Card Combination	V1.02 / V2.00 and later	Combo A Cards (GV-1120A / GV-1240A / GV-1480A)
V1.02 / V2.00 and later	PCI-E x 2	X
	PCI x 1+ PCI-E x 1	
Combo A Cards (GV-1120A / GV-1240A / GV-1480A)	X	PCI-E x 2

1. V1.02 / V2.00 (and later) and Combo A Cards all support two-card mode, but the combination of V1.02 / V2.00 (and later) and Combo A Cards does not support two-card mode.
2. When you install two V1.02 / V2.00 (and later) Cards, it is required to use two PCI Express slots or the combination of PCI and PCI Express slots.
3. When you install two Combo A Cards, it is required to use only two PCI Express slots.

- **GV-3008, GV-4008, GV-4008A**

Card Combination	GV-3008 / 4008 / 4008A
GV-3008 / 4008 / 4008A	PCI-E x 2

1.11 Installing Drivers

After you install the GV-Video Capture Card on the computer, the Found New Hardware Wizard will automatically detect the device. Ignore the wizard and follow these steps to install drivers:

1. Insert the software DVD. It will run automatically and pop up a window.
2. Select **Install or Remove GeoVision GV-Series Cards Driver** and select **Install or Remove GeoVision GV-Series Card Drivers**. This dialog box appears.

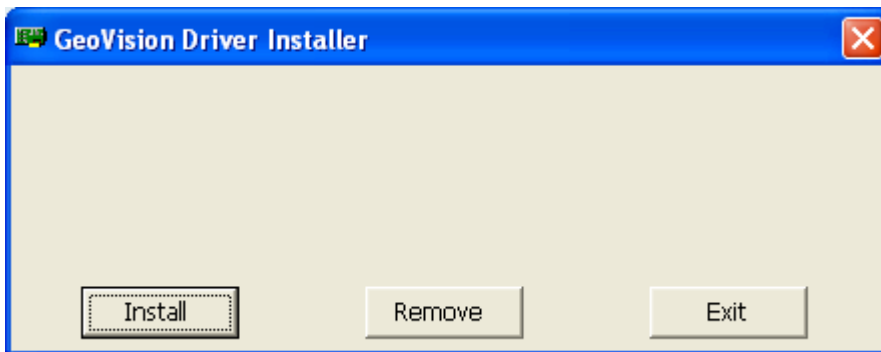


Figure 1-36

3. Click **Install** to install the drivers. When the installation is complete, this message will appear: Install Successfully.
4. Click **Exit** to close the dialog box.

Note: In Windows XP, the wizard will disappear after installation. In Windows 2000, close the wizard manually.

1.12 Comparison Chart (H/W Compression)

		GV-4008A	GV-4008A x 2
Interface		PCI-E x1	
Input Type		DVI	DVI
Video Input		8	16
Total Recording Rate (D1)	NTSC	240 fps	480 fps
	PAL	200 fps	400 fps
Display Rate	NTSC	240 fps	480 fps
	PAL	200 fps	400 fps
Video Codec	H/W	H.264	
	S/W	Geo MPEG4, Geo H264	
Video Resolution	NTSC	H/W	704 x 480
		S/W	352 x 240
	PAL	H/W	704 x 576
		S/W	352 x 288
Audio Input		8	16
Audio Codec		AAC (16 kHz / 16 bit)	
GV-Multi Quad Card Support		○	○
GV-Loop Through Card Support		○	○
GV-NET/IO Card Support		○ ¹	○ ¹
GV-I/O 12-In Card Support		○ ¹	○ ¹
GV-I/O 12-Out Card Support		○ ¹	○ ¹
Hardware Watchdog		○	○
Minimum System Requirements			
OS		Windows XP (32-bit) / Vista (32-bit) / 7 (32-bit and 64-bit) / Server 2008 (32-bit)	
DirectX		9.0c	
CPU		Core 2 Duo, 2.33G	Core 2 Quad, 2.4G
RAM		2 x 1 GB Dual Channels	
HDD		250 GB	500 GB
VGA		ATI Radeon X1300 PCI-E / NVIDIA GeForce 7300 PCI-E	
Note:			
1. GV-Net/IO Card V3.1 must be set in the I/O Box Mode and connected to the PC through USB.			
2. All Specifications are subject to change without notice.			

		GV-4008	GV-4008 x 2
Interface		PCI-E x1	
Input Type		DVI	DVI
Video Input		8	16
Total Recording Rate (D1)	NTSC	240 fps	480 fps
	PAL	200 fps	400 fps
Display Rate	NTSC	240 fps	480 fps
	PAL	200 fps	400 fps
Video Codec	H/W	H.264	
	S/W	Geo MPEG4, Geo H264	
Video Resolution	NTSC	H/W	704 x 480
		S/W	352 x 240
	PAL	H/W	704 x 576
		S/W	352 x 288
Audio Input		8	16
Audio Codec		AAC (16 kHz / 16 bit)	
GV-Multi Quad Card Support		X	X
GV-Loop Through Card Support		X	X
GV-NET/IO Card Support		o ¹	o ¹
GV-I/O 12-In Card Support		o ¹	o ¹
GV-I/O 12-Out Card Support		o ¹	o ¹
Hardware Watchdog		o	o
Minimum System Requirements			
OS		Windows XP (32-bit) / Vista (32-bit) / 7 (32-bit and 64-bit) / Server 2008 (32-bit)	
DirectX		9.0c	
CPU		Core 2 Duo, 2.33G	Core 2 Quad, 2.4G
RAM		2 x 1 GB Dual Channels	
HDD		250 GB	500 GB
VGA		ATI Radeon X1300 PCI-E / NVIDIA GeForce 7300 PCI-E	
Note:			
1. GV-Net/IO Card V3.1 must be set in the I/O Box Mode and connected to the PC through USB.			
2. All Specifications are subject to change without notice.			

		GV-3008	GV-3008 x 2
Interface		PCI-E x1	
Input Type		D-Type	D-Type
Video Input		8	16
Total Recording Rate (D1)	NTSC	240 fps	480 fps
	PAL	200 fps	400 fps
Display Rate	NTSC	240 fps	480 fps
	PAL	200 fps	400 fps
Video Codec	H/W	H.264	
	S/W	Geo MPEG4, Geo H264	
Video Resolution	NTSC	H/W	704 x 480
		S/W	352 x 240
	PAL	H/W	704 x 576
		S/W	352 x 288
Audio Input		8	16
Audio Codec		AAC (16 kHz / 16 bit)	
GV-Multi Quad Card Support		<input type="radio"/>	<input type="radio"/>
GV-Loop Through Card Support		<input type="radio"/>	<input type="radio"/>
GV-NET/IO Card Support		<input type="radio"/>	<input type="radio"/>
GV-I/O 12-In Card Support		<input type="radio"/>	<input type="radio"/>
GV-I/O 12-Out Card Support		<input type="radio"/>	<input type="radio"/>
Hardware Watchdog		<input type="radio"/>	<input type="radio"/>
Minimum System Requirements			
OS		Windows XP (32-bit) / Vista (32-bit) / 7 (32-bit and 64-bit) Server 2008 (32-bit)	
DirectX		9.0c	
CPU		Core 2 Duo, 2.33G	Core 2 Quad, 2.4G
RAM		2 x 1 GB Dual Channels	
HDD		250 GB	500 GB
VGA		ATI Radeon X1300 PCI-E / NVIDIA GeForce 7300 PCI-E	
<p>Note: All Specifications are subject to change without notice.</p>			

1.13 Comparison Chart (s/W Compression: Single Card)

			GV-600A	GV-650A	GV-800A
Interface			PCI	PCI, PCI-E x1	
Input Type			BNC, D-Type	D-Type	BNC, D-Type
Video Input			1, 2, 4, 6, 8, 10, 12, 14, 16	4, 8, 12, 16	4, 8, 12, 16
Total Recording Rate	CIF	NTSC	30 fps	60 fps	120 fps
		PAL	25 fps	50 fps	100 fps
	D1	NTSC	15 fps	30 fps	60 fps
		PAL	12.5 fps	25 fps	50 fps
Display Rate	CIF	NTSC	30 fps	60 fps	120 fps
		PAL	25 fps	50 fps	100 fps
	D1	NTSC	15fps	30 fps	60 fps
		PAL	12.5 fps	25 fps	50 fps
Video Codec			Geo MPEG4, Geo H264		
Video Resolution		NTSC	704 x 480, 704 x 480 De-interlace, 640 x 480, 640 x 480 De-interlace, 352 x 240, 320 x 240		
		PAL	704 x 576, 704 x 576 De-interlace, 640 x 480, 640 x 480 De-interlace, 352 x 288, 320 x 240		
Audio Input			1	2	4
Audio Codec			AAC (16 kHz / 16 bit)		
GV-Multi Quad Card Support			<input type="radio"/>	<input type="radio"/>	<input type="radio"/>
GV-Loop Through Card			<input type="radio"/>	<input type="radio"/>	<input type="radio"/>
GV-NET/IO Card Support			<input type="radio"/>	<input type="radio"/>	<input type="radio"/>
GV-I/O 12-In Card Support			<input type="radio"/>	<input type="radio"/>	<input type="radio"/>
GV-I/O 12-Out Card Support			<input type="radio"/>	<input type="radio"/>	<input type="radio"/>
Hardware Watchdog			<input type="radio"/>	<input type="radio"/>	<input type="radio"/>
Minimum System Requirements					
OS			Windows XP (32-bit) / Vista (32-bit) / 7 (32-bit and 64-bit) / Server 2008 (32-bit and 64-bit)		
DirectX			9.0c		
CPU			Pentium 4, 2.0 GHz	Pentium 4, 2.4 GHz	Pentium 4, 3.0 GHz with HT
RAM			2 x 512 MB Dual Channels (Windows XP)		
			2 x 1 GB Dual Channels (Windows Vista / 7 / Server 2008)		
HDD			80 GB		
VGA			ATI Radeon X600A / NVIDIA 6200		
Note: All specifications are subject to change without notice.					

			GV-600B	GV-650B	GV-800B	GV-900A
Interface			PCI, PCI-E x1			PCI-E x1
Input Type			DVI			
Video Input			4, 8, 16			8, 16, 32
Total Recording Rate	CIF	NTSC	30 fps	60 fps	120 fps	240 fps
		PAL	25 fps	50 fps	100 fps	200 fps
	D1	NTSC	15 fps	30 fps	60 fps	120 fps
		PAL	12.5 fps	25 fps	50 fps	100 fps
Display Rate	CIF	NTSC	30 fps	60 fps	120 fps	240 fps
		PAL	25 fps	50 fps	100 fps	200 fps
	D1	NTSC	15fps	30 fps	60 fps	120 fps
		PAL	12.5 fps	25 fps	50 fps	100 fps
Video Codec			Geo MPEG4, Geo H264			
Video Resolution		NTSC	704 x 480, 704 x 480 De-interlace, 640 x 480, 640 x 480 De-interlace, 352 x 240, 320 x 240			
		PAL	704 x 576, 704 x 576 De-interlace, 640 x 480, 640 x 480 De-interlace, 352 x 288, 320 x 240			
Audio Input			4		8	
Audio Codec			AAC (16 kHz / 16 bit)			
GV-Multi Quad Card Support			X	X	X	X
GV-Loop Through Card			X	X	X	X
GV-NET/IO Card Support			O	O	O	O
GV-I/O 12-In Card Support			O	O	O	O
GV-I/O 12-Out Card Support			O	O	O	O
Hardware Watchdog			O	O	O	O
Minimum System Requirements						
OS			Windows XP (32-bit) / Vista (32-bit) / 7 (32-bit and 64-bit) / Server 2008 (32-bit and 64-bit)			
DirectX			9.0c			
CPU			Pentium 4, 2.0 GHz	Pentium 4, 2.4 GHz	Pentium 4, 3.0 GHz with HT	Pentium 4, 3.0 GHz Dual Core
RAM			2 x 512 MB Dual Channels (Windows XP)			2 x 1 GB Dual Channels
			2 x 1 GB Dual Channels (Windows Vista / 7 / Server 2008)			
HDD			80 GB			160 GB
VGA			ATI Radeon X600A / NVIDIA 6200			ATI Radeon X1300 PCI-E / NVIDIA GeForce 7300 PCI-E
Note: All specifications are subject to change without notice.						

			GV-1008	GV-1120A	GV-1240A	GV-1480A
Interface			PCI-E x1			
Input Type			D-Type, DVI			
Video Input			8	8, 12, 16	8, 16	16
Total Recording Rate	CIF	NTSC	240 fps	120 fps	240 fps	480 fps
		PAL	200 fps	100 fps	200 fps	400 fps
	D1	NTSC	240 fps	80 fps	120 fps	240 fps
		PAL	200 fps	72 fps	100 fps	200 fps
Display Rate	CIF	NTSC	240 fps	480 fps	480 fps	480 fps
		PAL	200 fps	400 fps	400 fps	400 fps
	D1	NTSC	240 fps	480 fps	480 fps	480 fps
		PAL	200 fps	400 fps	400 fps	400 fps
Video Codec			Geo MPEG4, Geo H264			
Video Resolution		NTSC	704 x 480, 704 x 480 De-interlace, 640 x 480, 640 x 480 De-interlace, 352 x 240, 320 x 240			
		PAL	704 x 576, 704 x 576 De-interlace, 640 x 480, 640 x 480 De-interlace, 352 x 288, 320 x 240			
Audio Input			8	8, 12, 16	8, 16	16
Audio Codec			AAC (16 kHz / 16 bit)			
GV-Multi Quad Card Support			<input type="radio"/>	<input type="radio"/>	<input type="radio"/>	<input type="radio"/>
GV-Loop Through Card			<input type="radio"/>	<input type="radio"/>	<input type="radio"/>	<input type="radio"/>
GV-NET/IO Card Support			<input type="radio"/>	<input type="radio"/>	<input type="radio"/>	<input type="radio"/>
GV-I/O 12-In Card Support			<input type="radio"/>	<input type="radio"/>	<input type="radio"/>	<input type="radio"/>
GV-I/O 12-Out Card Support			<input type="radio"/>	<input type="radio"/>	<input type="radio"/>	<input type="radio"/>
Hardware Watchdog			<input type="radio"/>	<input type="radio"/>	<input type="radio"/>	<input type="radio"/>
Minimum System Requirements						
OS			Windows XP (32-bit) / Vista (32-bit) / 7 (32-bit and 64-bit) / Server 2008 (32-bit and 64-bit)			
DirectX			9.0c			
CPU			Core 2 Duo, 3.0 GHz	Pentium 4, 3.0 GHz With HT	Pentium 4, 3.0 GHz Dual Core	Core 2 Duo, 3.0 GHz
RAM			2 x 512 MB Dual Channels (Windows XP)			
			2 x 1 GB Dual Channels (Windows Vista / 7 / Server 2008)			
HDD			250GB	80 GB	120 GB	250 GB
VGA			ATI Radeon X1300 PCI-E / NVIDIA GeForce 7300 PCI-E			
<p>Note: All specifications are subject to change without notice.</p>						

1.14 Comparison Chart (S/W Compression: Two Cards)

			GV-600A x 2	GV-650A x 2	GV-800A x 2
Interface			PCI		PCI, PCI-E x1
Input Type			BNC, D-Type		BNC, D-Type
Video Input			32 (Max)		16, 20, 24, 28, 32
Total Recording Rate	CIF	NTSC	60 fps	120 fps	240 fps
		PAL	50 fps	100 fps	200 fps
	D1	NTSC	30 fps	60 fps	120 fps
		PAL	25 fps	50 fps	100 fps
Display Rate	CIF	NTSC	60 fps	120 fps	240 fps
		PAL	50 fps	100 fps	200 fps
	D1	NTSC	30 fps	60 fps	120 fps
		PAL	25 fps	50 fps	100 fps
Video Codec			Geo MPEG4, Geo H264		
Video Resolution		NTSC	704 x 480, 704 x 480 De-interlace, 640 x 480, 640 x 480 De-interlace, 352 x 240, 320 x 240		
		PAL	704 x 576, 704 x 576 De-interlace, 640 x 480, 640 x 480 De-interlace, 352 x 288, 320 x 240		
Audio Input			2	4	8
Audio Codec			AAC (16 kHz / 16 bit)		
GV-Multi Quad Card Support			<input type="radio"/>	<input type="radio"/>	<input type="radio"/>
GV-Loop Through Card Support			<input type="radio"/>	<input type="radio"/>	<input type="radio"/>
GV-NET/IO Card Support			<input type="radio"/>	<input type="radio"/>	<input type="radio"/>
GV-I/O 12-In Card Support			<input type="radio"/>	<input type="radio"/>	<input type="radio"/>
GV-I/O 12-Out Card Support			<input type="radio"/>	<input type="radio"/>	<input type="radio"/>
Hardware Watchdog			<input type="radio"/>	<input type="radio"/>	<input type="radio"/>
Minimum System Requirements					
OS			Windows XP (32-bit) / Vista (32-bit) / 7 (32-bit and 64-bit) / Server 2008 (32-bit and 64-bit)		
DirectX			9.0c		
CPU			Pentium 4, 2.6 GHz with HT	Pentium 4, 2.8 GHz with HT	Pentium 4, 3.0 GHz Dual Core
RAM			2 x 1 GB Dual Channels		
HDD			160 GB		
VGA			ATI Radeon X600 NVIDIA 6200		ATI Radeon X1300 PCI-E / NVIDIA GeForce 7300 PCI-E
Note: All specifications are subject to change without notice.					

			GV-600B x 2	GV-650B x 2	GV-800B x 2	GV-900A x 2
Interface			PCI-E x1			
Input Type			DVI			
Video Input			8, 12, 16, 20, 24, 32			
Total Recording Rate	CIF	NTSC	60 fps	120 fps	240 fps	480 fps
		PAL	50 fps	100 fps	200 fps	400 fps
	D1	NTSC	30 fps	60 fps	120 fps	240 fps
		PAL	25 fps	50 fps	100 fps	200 fps
Display Rate	CIF	NTSC	60 fps	120 fps	240 fps	480 fps
		PAL	50 fps	100 fps	200 fps	400 fps
	D1	NTSC	30 fps	60 fps	120 fps	240 fps
		PAL	25 fps	50 fps	100 fps	200 fps
Video Codec			Geo MPEG4, Geo H264			
Video Resolution		NTSC	704 x 480, 704 x 480 De-interlace, 640 x 480, 640 x 480 De-interlace, 352 x 240, 320 x 240			
		PAL	704 x 576, 704 x 576 De-interlace, 640 x 480, 640 x 480 De-interlace, 352 x 288, 320 x 240			
Audio Input			8	8	8	16
Audio Codec			AAC (16 kHz / 16 bit)			
GV-Multi Quad Card Support			X	X	X	X
GV-Loop Through Card Support			X	X	X	X
GV-NET/IO Card Support			O	O	O	O
GV-I/O 12-In Card Support			O	O	O	O
GV-I/O 12-Out Card Support			O	O	O	O
Hardware Watchdog			O	O	O	O
Minimum System Requirements						
OS			Windows XP (32-bit) / Vista (32-bit) / 7 (32-bit and 64-bit) / Server 2008 (32-bit and 64-bit)			
DirectX			9.0c			
CPU			Pentium 4, 2.6 GHz with HT	Pentium 4, 2.8 GHz with HT	Pentium 4, 3.0 GHz Dual Core	Core i5-750, 2.66 GHz
RAM			2 x 1 GB Dual Channels			
HDD			160 GB			500 GB
VGA			ATI Radeon X600 / NVIDIA 6200		ATI Radeon X1300 PCI-E / NVIDIA GeForce 7300 PCI-E	
Note: All specifications are subject to change without notice.						

			GV-1008 x 2	GV-1120A x 2	GV-1240A x 2	GV-1480A x 2
Interface			PCI-E x1			
Input Type			D-Type, DVI			
Video Input			16	16, 20, 24, 28, 32	16, 24, 32	32
Total Recording Rate	CIF	NTSC	480 fps	240 fps	480 fps	960 fps
		PAL	400 fps	200 fps	400 fps	800 fps
	D1	NTSC	480 fps	160 fps	240 fps	480 fps
		PAL	400 fps	144 fps	200 fps	400 fps
Display Rate	CIF	NTSC	480 fps	960 fps	960 fps	960 fps
		PAL	400 fps	800 fps	800 fps	800 fps
	D1	NTSC	480 fps	960 fps	960 fps	960 fps
		PAL	400 fps	800 fps	800 fps	800 fps
Video Codec			Geo MPEG4, Geo H264			
Video Resolution		NTSC	704 x 480, 704 x 480 De-interlace, 640 x 480, 640 x 480 De-interlace, 352 x 240, 320 x 240			
		PAL	704 x 576, 704 x 576 De-interlace, 640 x 480, 640 x 480 De-interlace, 352 x 288, 320 x 240			
Audio Input			16	16, 20, 24, 28, 32	16, 24, 32	32
Audio Codec			AAC (16 kHz / 16 bit)			
GV-Multi Quad Card Support			<input type="radio"/>	<input type="radio"/>	<input type="radio"/>	<input type="radio"/>
GV-Loop Through Card			<input type="radio"/>	<input type="radio"/>	<input type="radio"/>	<input type="radio"/>
GV-NET/IO Card Support			<input type="radio"/>	<input type="radio"/>	<input type="radio"/>	<input type="radio"/>
GV-I/O 12-In Card Support			<input type="radio"/>	<input type="radio"/>	<input type="radio"/>	<input type="radio"/>
GV-I/O 12-Out Card Support			<input type="radio"/>	<input type="radio"/>	<input type="radio"/>	<input type="radio"/>
Hardware Watchdog			<input type="radio"/>	<input type="radio"/>	<input type="radio"/>	<input type="radio"/>
Minimum System Requirements						
OS			Windows XP (32-bit) / Vista (32-bit) / 7 (32-bit and 64-bit) / Server 2008 (32-bit and 64-bit)			
DirectX			9.0c			
CPU			Core i5-750, 2.66 GHz	Pentium 4, 3.0 GHz Dual Core	Core 2 Duo, 2.53 GHz	Core 2 Quad, 2.4 GHz
RAM			2 x 1 GB Dual Channels			
HDD			500GB	160 GB	250 GB	500 GB
VGA			ATI Radeon X1300 PCI-E / NVIDIA GeForce 7300 PCI-E			
<p>Note: All specifications are subject to change without notice.</p>						

Chapter 2 Hardware Accessories

This chapter includes the following information:

- **System requirements**
- **Packing list**
- **Connection diagrams**
- **Specifications**
- **Driver installation**

2.1 GV-Multi Quad Card

The GV-Multi Quad Card connects up to 5 TV monitors (spot monitors). One port supports up to 16 screen divisions, while the other 4 ports support 1 and 4 screen divisions. It also allows self-defined channel sequence and position changes of divisions on the monitor screen.

For further operations on GV-System, see *Quad Spot Monitors Controller*, Chapter 11, *DVR User's Manual* on the Software DVD.

System Requirement

- GV-System Version 8.1 or above

Packing List

1. GV-Multi Quad Card x 1
2. 1-5 D-Type Video Cable x 1
3. 40-Pin Ribbon Cable x 1
4. 40-Pin Ribbon Cable with Four 10-Pin Headers x 1
5. Installation Guide x 1

Connections

- Use the supplied Ribbon Cable to connect the GV-Multi Quad Card to the GV-Video Capture Card as illustrated below.

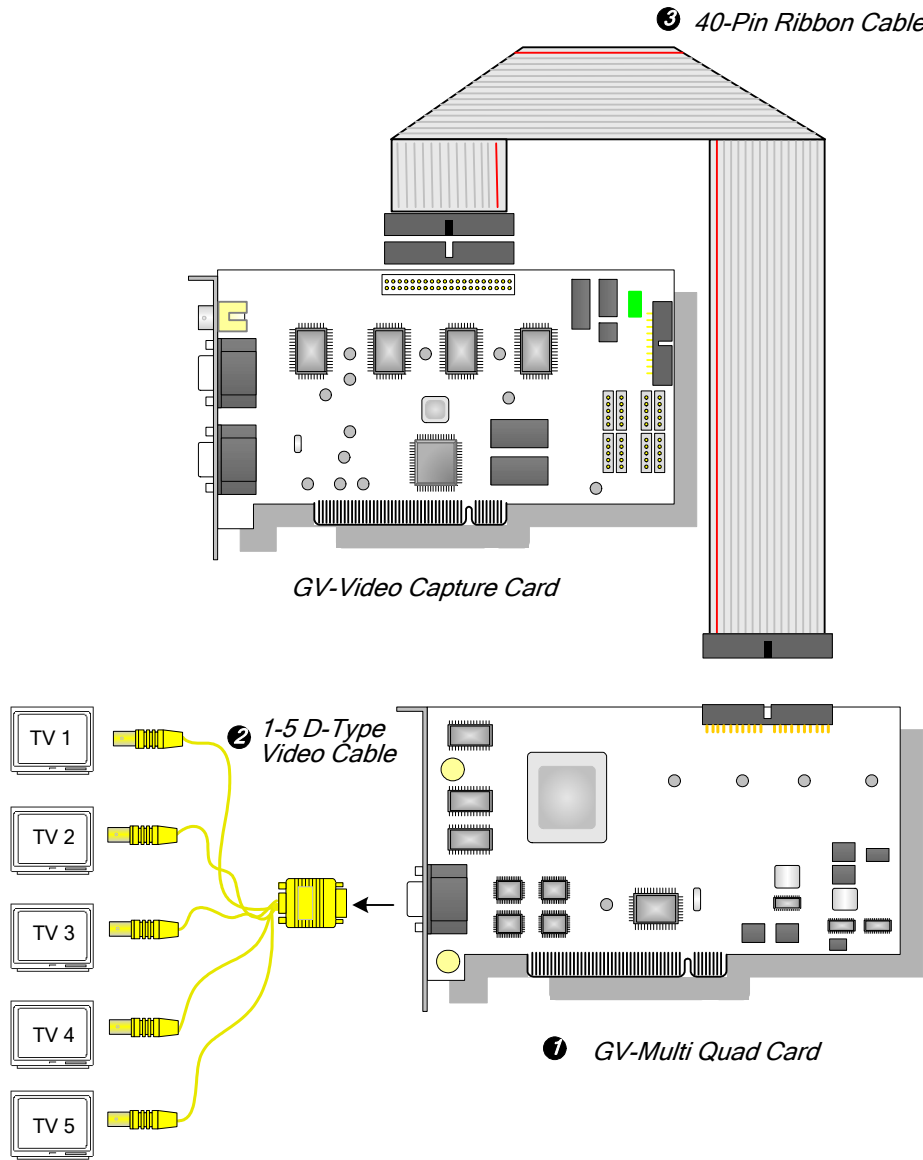


Figure 2-1 GV-Multi Quad Card connections

Connections with Two Video Capture Cards

In the computer where two video capture cards are installed, the GV-Multi Quad Card should connect to only one video capture card. Use the supplied Ribbon Cable to connect the GV-Multi Quad Card to the video capture card of your choice.

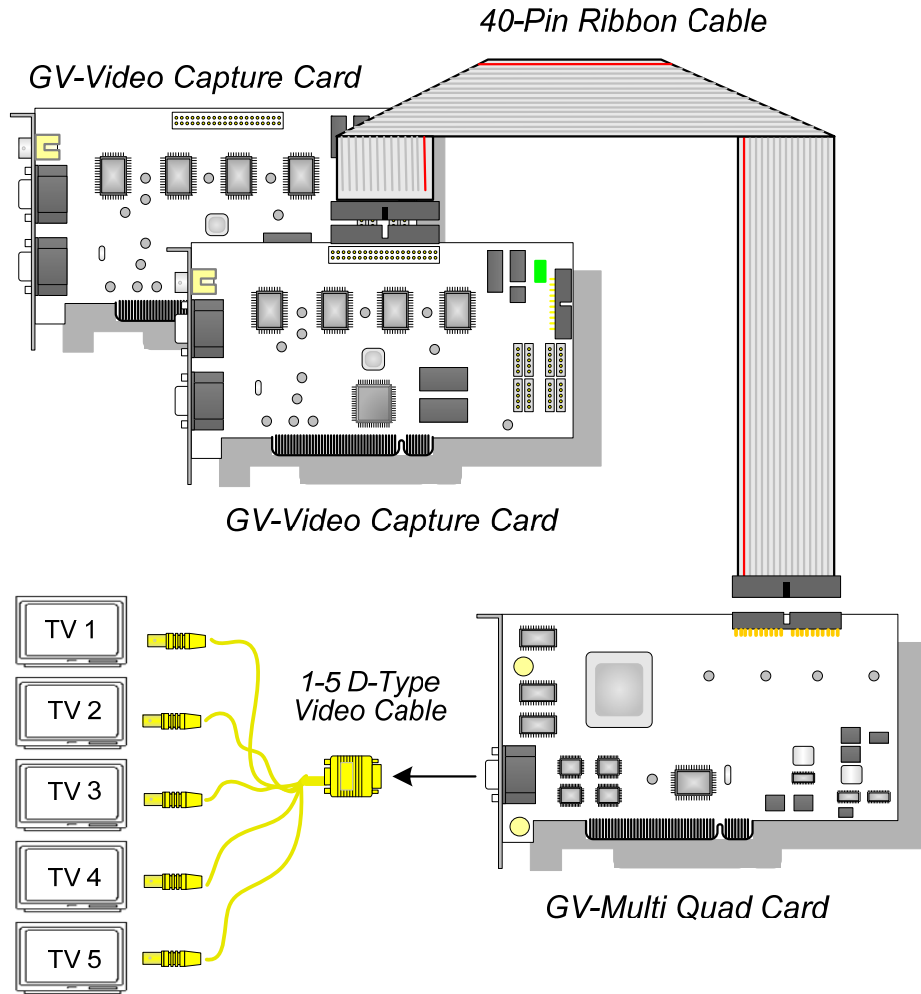


Figure 2-2

Installing Drivers

After you install the GV-Multi Quad Card to the computer, the Hardware Wizard will automatically detect the device. Ignore the wizard, and follow the steps in *1.8 Installing Drivers* to install drivers.

To verify the drivers are installed correctly, go to **Device Manager**. Expanding the **Sound, video and game controllers** field, you should see the entries for **GTVOUT Audio #A** and **GTVOUT Video Capture #A**.

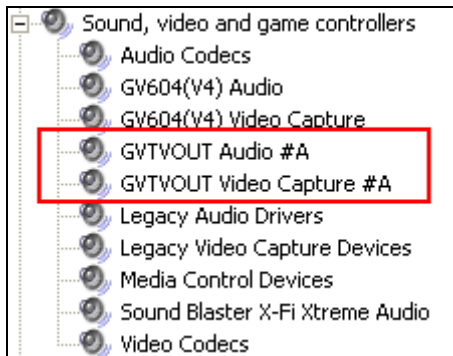


Figure 2-3 Verifying GV-Multi Quad Card drivers

Specifications

Interface for GV-Video Capture Card	40-Pin Connector
TV Output	DB15 to 5 BNC Connectors
Input Signal	16 Channels
TV Monitor Layout	Port 1: supports up to 16 screen divisions. Port 2 ~ Port 5: support 1 and 4 screen divisions.
Compatible Model	All GV-Video Capture Card models
Dimensions (W x H)	178 x 104 mm / 7.01 x 4.09 in

Ordering Information

55-TVOUT-050

2.2 GV-Loop Through Card

The GV-Loop Through Card is designed to take the video signal directly from the GV-Video Capture Card, without internal device processes, and then split it into 16 signals while maintaining video quality. With the duplicate 16 signals, the card can meet your need for multiple monitors.

Packing List

- | | |
|--------------------------------|-----------------------------------------------------|
| 1. GV-Loop Through Card x 1 | 4. 40-Pin Ribbon Cable x 1 |
| 2. 1-8 D-Type Video Cable x 1 | 5. 40-Pin Ribbon Cable with Four 10-Pin Headers x 1 |
| 3. 9-16 D-Type Video Cable x 1 | 6. Installation Guide x 1 |

Overview

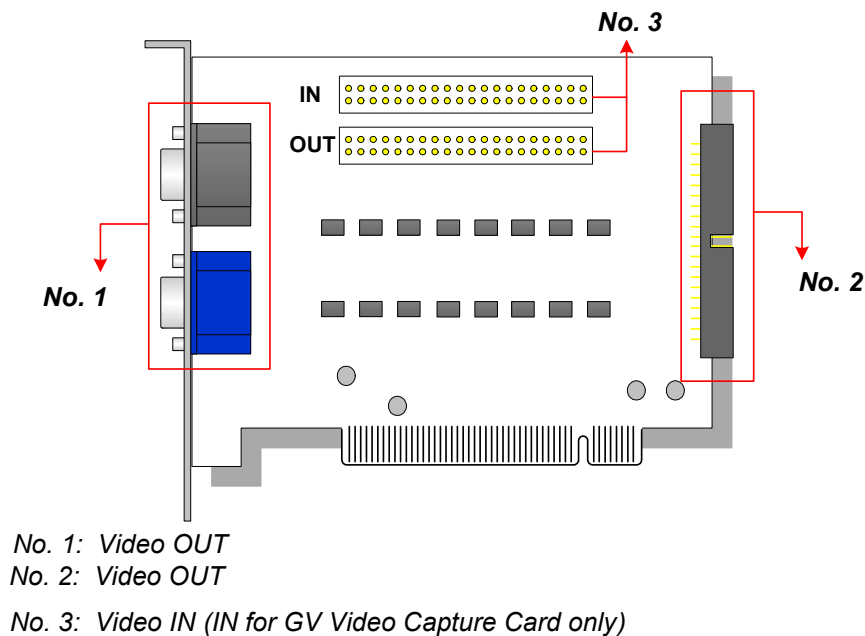


Figure 2-4 GV-Loop Through Card

Note:

1. For No. 2 Video Out, an extra D-Type extension card is required.
2. Select either No. 1 or No. 2 for video out. Using both at the same time may cause video degradation.
3. Only connect GV-Video Capture Card to No. 3. Other devices are prohibited.

Connections

- Connect D-type cables and the GV-Video Capture Card to the GV-Loop Through Card as illustrated below.

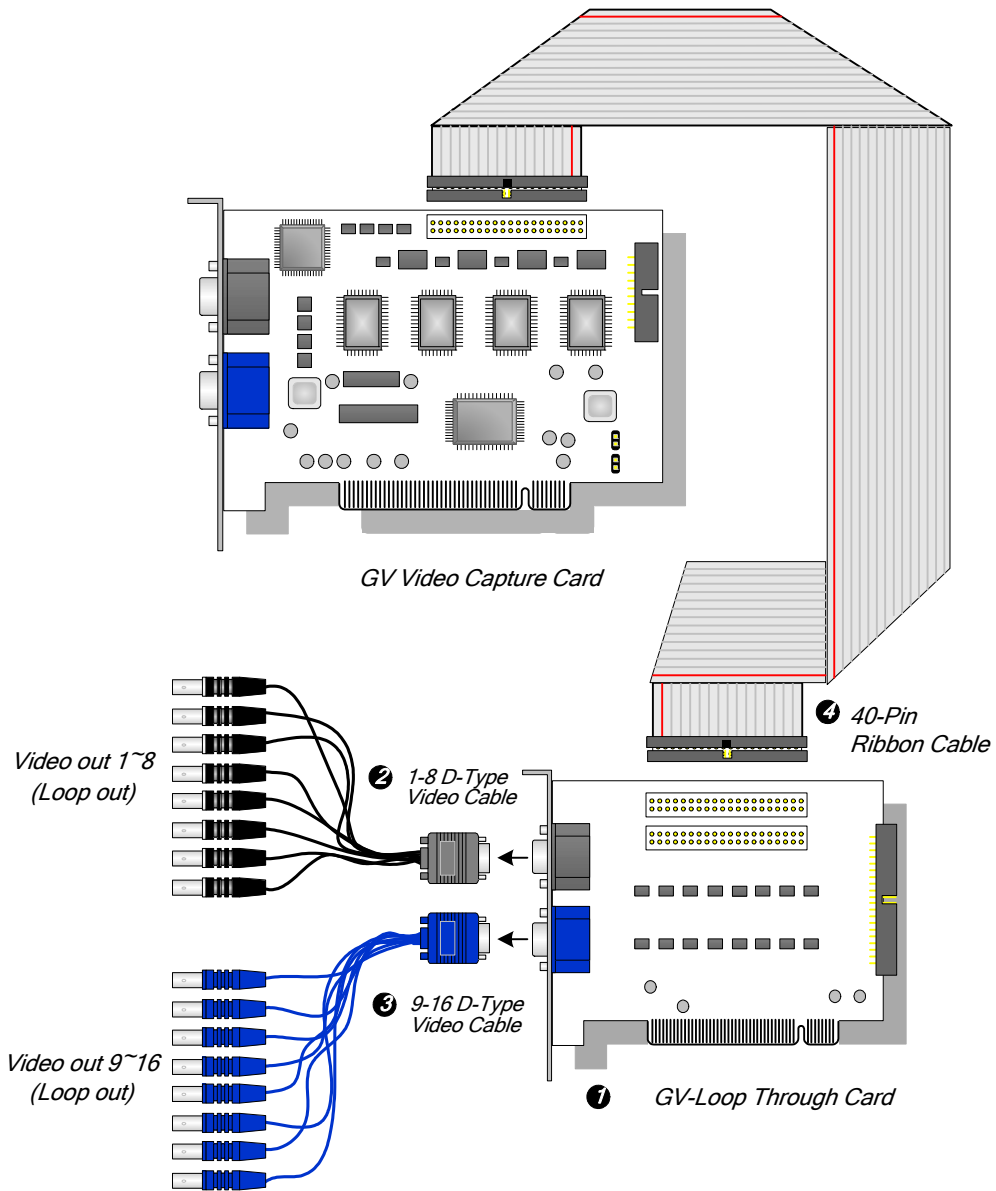


Figure 2-5 GV-Loop Through Card connections

Connections with Two Video Capture Cards

If your system is equipped with two video capture cards, you can connect the GV-Loop Through Card to each video capture card.

Specifications

Interface for GV-Video Capture Card	40-Pin Connector x 2
Output Interface	DB15 Connector x 2
	40-Pin Connector x 1
Input Signal	16 Channels
Compatible Model	All GV-Video Capture Card models
Dimensions (W x H)	130 x 98 mm / 5.12 x 3.86 in

Ordering Information

55-VLP16-111

2.3 GV-NET Card V3.1

The GV-NET Card is a RS-485 / RS-232 interface converter. This Card connects to the RS-232 port or USB port on your computer, and allows RS-485 devices, such as PTZ domes, to be connected through the Card.

Packing List

1. GV-NET Card x 1
2. RJ-11 to DB9 Cable x 1
3. RJ-11 to USB Cable x 1
4. 3-Pin Internal USB Cable x 1
5. 4-Pin to 4-Pin Mini Power Cable x 1
6. Installation Guide x 1

Overview

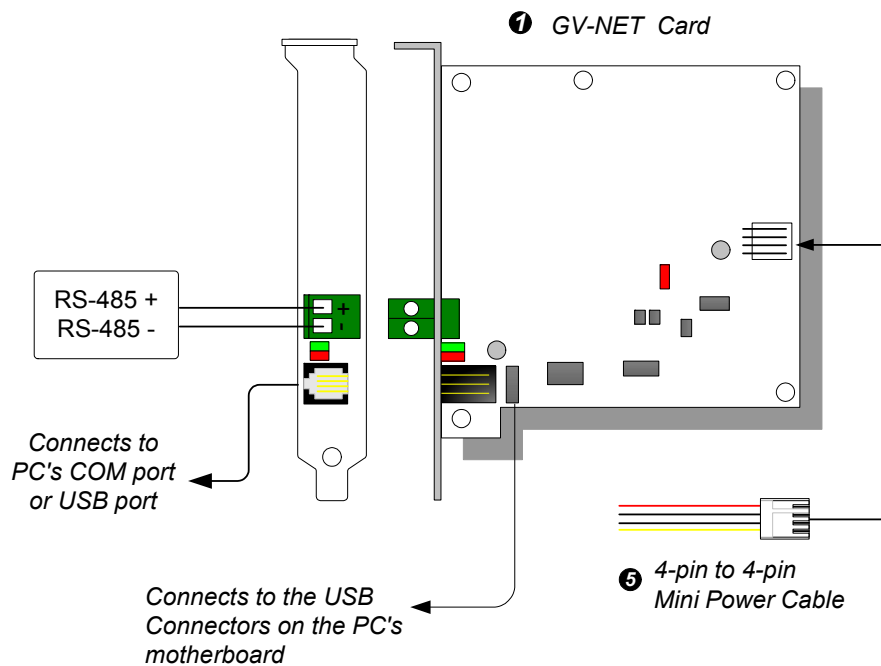


Figure 2-6 GV-Net Card V3.1 Connections

Note: The GV-NET Card only provides RS-485 / RS-232 data conversion; the connection to the GV-Video Capture Card is not required.

RS-485 Device Connections

To connect the GV-NET Card to the RS-485 devices, there are three ways of connections. See the pictures below.

1. You can connect a RJ-11 to DB9 Cable to the PC's COM Port when a RS-485 device is connected.

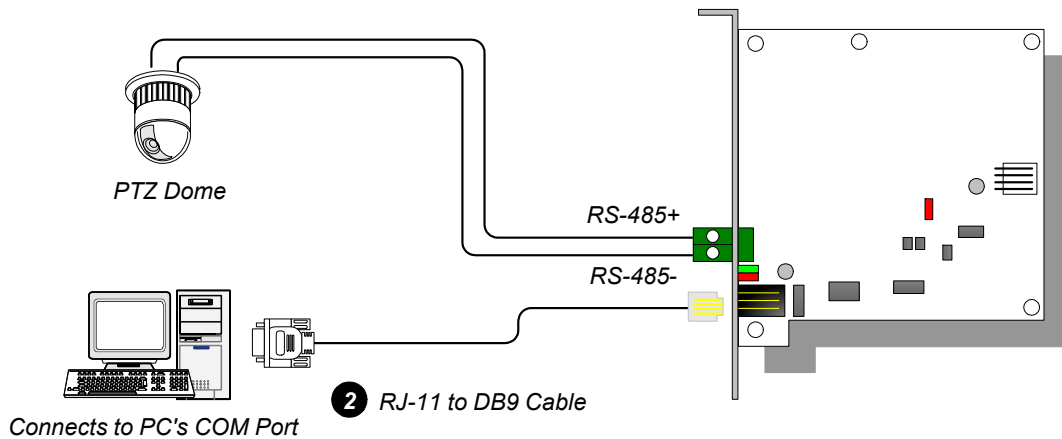


Figure 2-7

2. You can connect a RJ-11 to USB Cable to the PC's USB Port when a RS-485 device is connected.

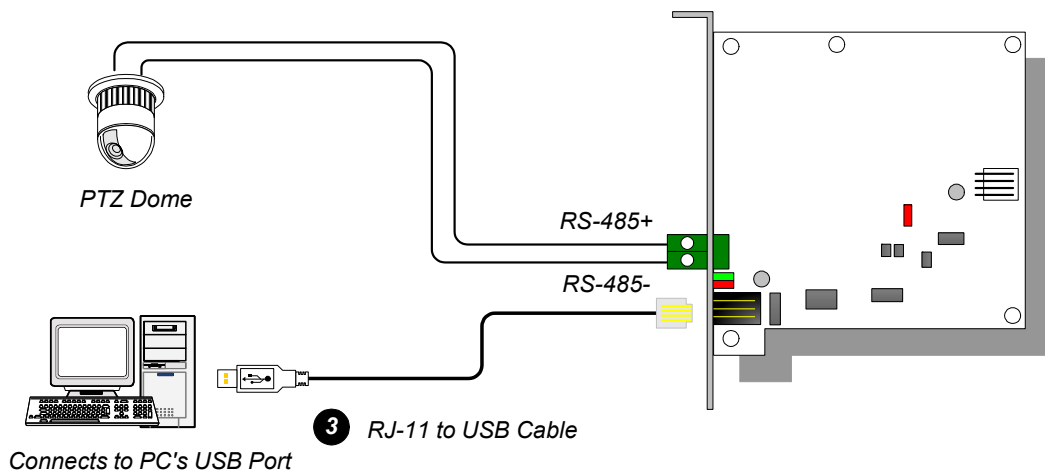


Figure 2-8

Note: It is required to install the USB driver. For details, see [2.22 Installing USB Driver](#).

- You can connect a 3-Pin Internal USB Cable to the USB connectors on the PC's Motherboard when a RS-485 device is connected.

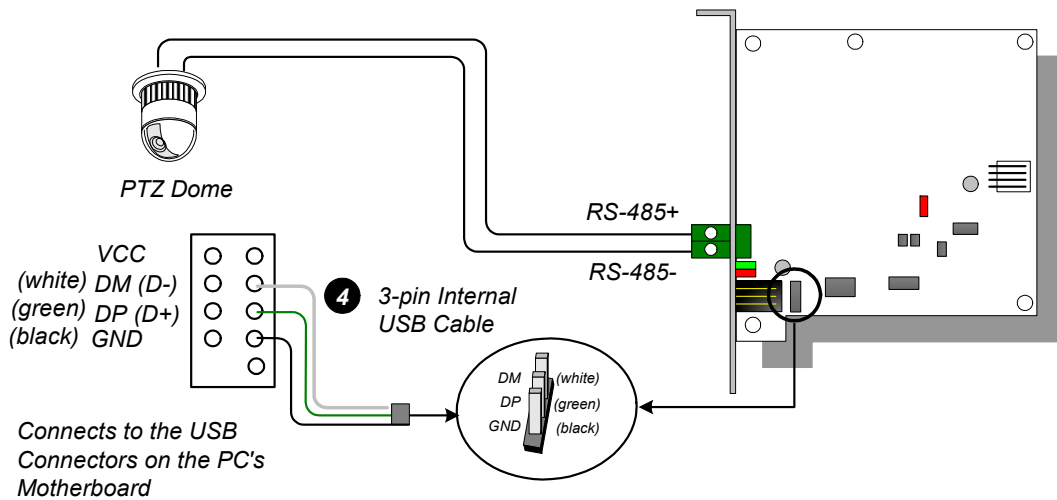


Figure 2-9

Note: It is required to install the USB driver. For details, see [2.22 Installing USB Driver](#).

Specifications

OS Supported	32-bit	Windows XP / Vista / 7 / Server 2008
	64-bit	Windows 7 / Server 2008
Interface		RJ-11 to DB9 (RS-232)
		RJ-11 to USB
		3-Pin Internal USB to Internal USB
		RS-485+ / RS-485-
Communication		RS-485 1,200~115,200 bps; USB
Environmental Condition		0~50 Degree C / 32~122 Degree F 5%~95% (Non-Condensing)
Compatible Model		All GV-Video Capture Card Models
Dimensions (W x H)		97 x 90 mm / 3.82 x 3.54 in

Ordering Information

55-NETCR-310

2.4 GV-NET/IO Card V3.1

The GV-NET/IO Card is a RS-485 / RS-232 interface converter, providing 4 inputs and 4 relay outputs as well. It supports both DC and AC output voltages.

Key Features

- A USB port is provided for PC connection, and it is used with 30 DC output voltages.
- It can switch between two modes, NET/IO Card Mode and I/O Box Mode, which expand its capability.
- Up to 4 GV-NET/IO Cards can be chained together when it is on the I/O Box Mode.
- It can act as an independent device when it is on the I/O Box Mode.

Packing List

1. GV-NET/IO Card x 1
2. 20-Pin Ribbon Cable with 4 Connectors x1
3. RJ-11 to DB9 Cable x 1
4. RJ-11 to USB Cable x 1
5. 3-Pin Internal USB Cable x 1
6. 4-Pin to 4-Pin Mini Power Cable x 1
7. Installation Guide x 1

Overview

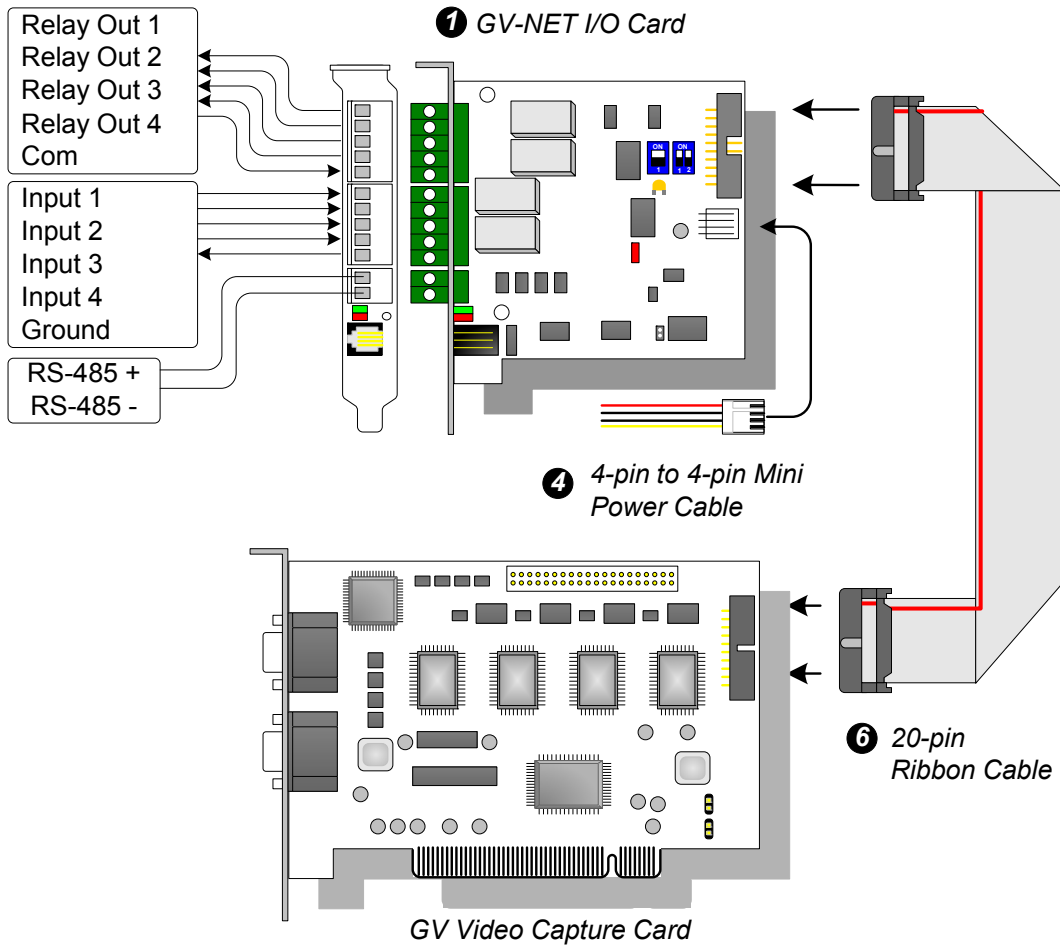
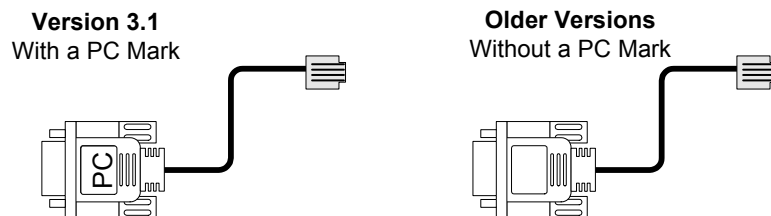


Figure 2-10 GV-NET/I/O Card connections

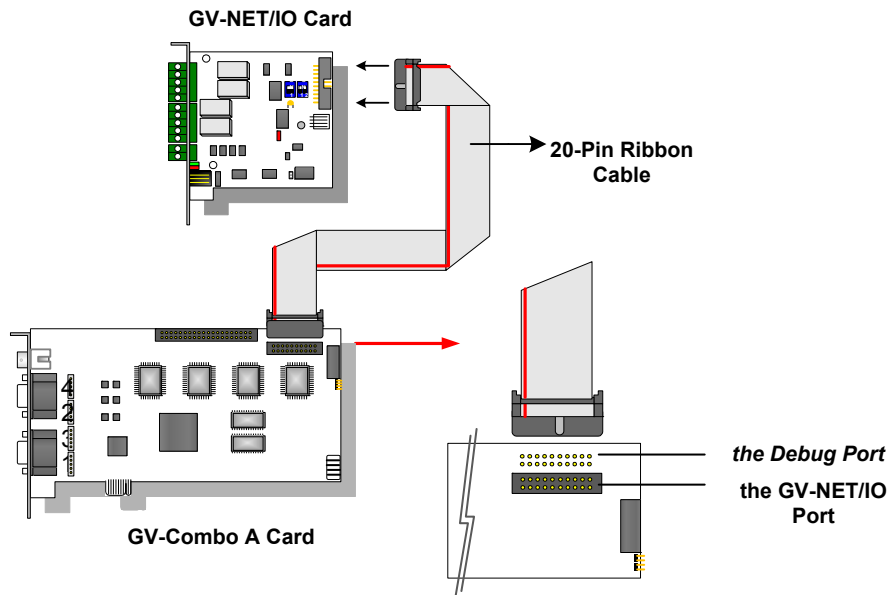
Note:

1. The supplied RJ-11 to DB9 Cable of older versions is not compatible with the GV-NET/I/O Card V3.1.



2. When the GV-NET/I/O Card V3.1 is in the I/O Box mode, it is incompatible with the GV-IO 12-In Card of versions earlier than V3.
3. To prevent the noise interference in I/O operation, tightly screw the GV-NET/I/O Card V3.1 to the PC case.

-
4. Ensure to connect the GV-NET/IO Card to the 20-pin GV-NET/IO port on the GV-Combo A Card as illustrated below. The wrong connection may lead to the GV-NET/IO Card or the GV-Combo A Card to be damaged, causing Video Lost or an error message of “can't find keypro” to pop up.



Connections with Two Video Capture Cards

If your system is equipped with two video capture cards, connect the GV-NET/IO Card to the video capture card of 1-16 channels.

Connections in NET/IO Card Mode

For the connections in the NET/IO Card Mode, please follow the instructions below:

- It is required to connect the GV-NET/IO Card to GV-Video Capture Card with the 20-Pin Ribbon Cable.
- If you want to connect the GV-NET/IO Card to RS-485 devices, you have three ways of connections. See below.

Three Ways of Connections of GV-NET/IO Card and RS-485 Devices:

1. You can connect a RJ-11 to DB9 Cable to the PC's COM Port when a RS-485 device is connected. **(Allowed for AC/DC Output Voltage)**

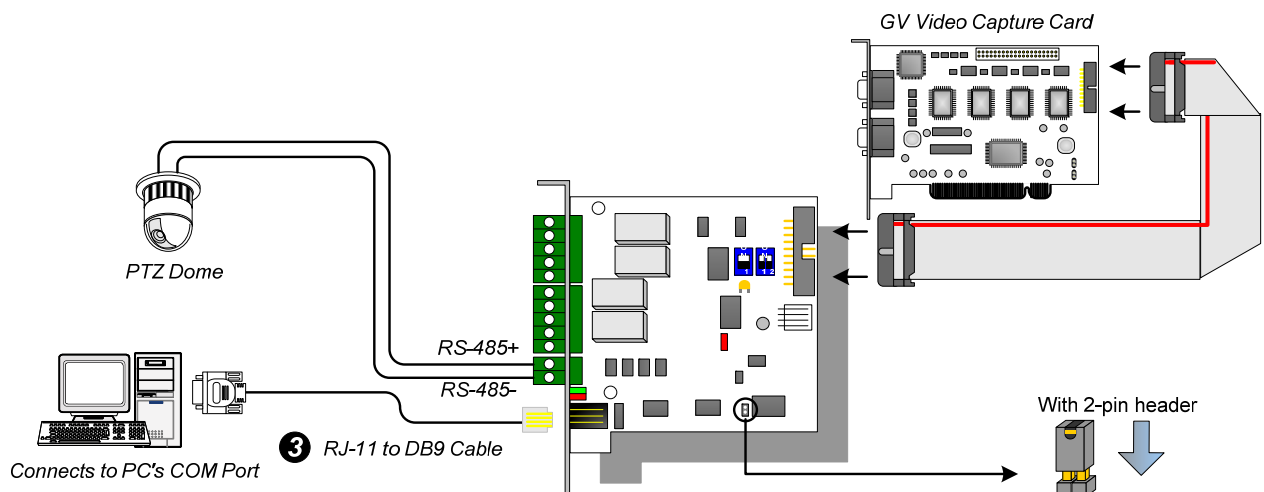


Figure 2-11

2. You can connect a RJ-11 to USB Cable to the PC's USB Port when a RS-485 device is connected. **(Allowed for AC/DC Output Voltage)**

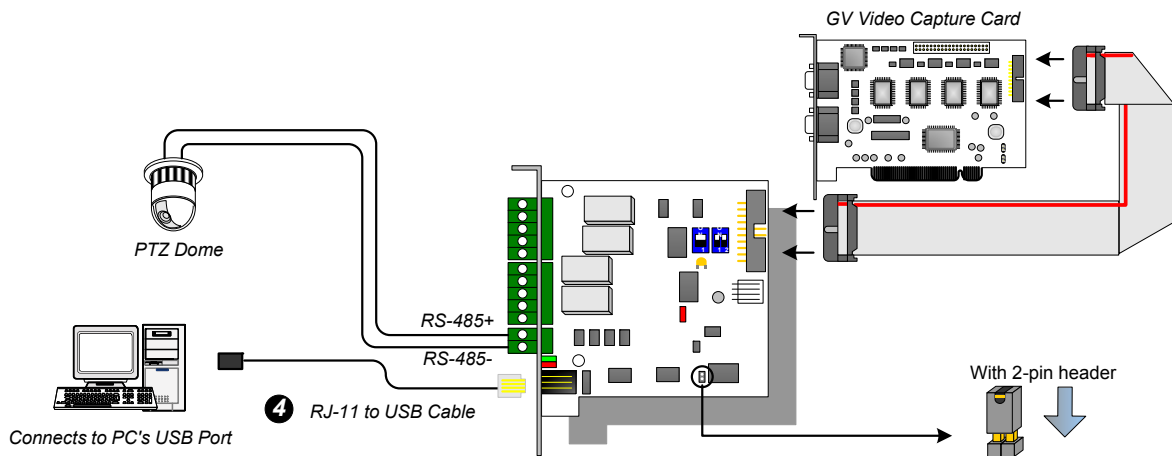


Figure 2-12

Note: It is required to install the USB driver. For details, see 2.22 Installing USB Driver.

3. You can connect a 3-Pin Internal USB Cable to the USB Connectors on the PC's Motherboard when a RS-485 device is connected. **(Allowed for AC/DC Output Voltage)**

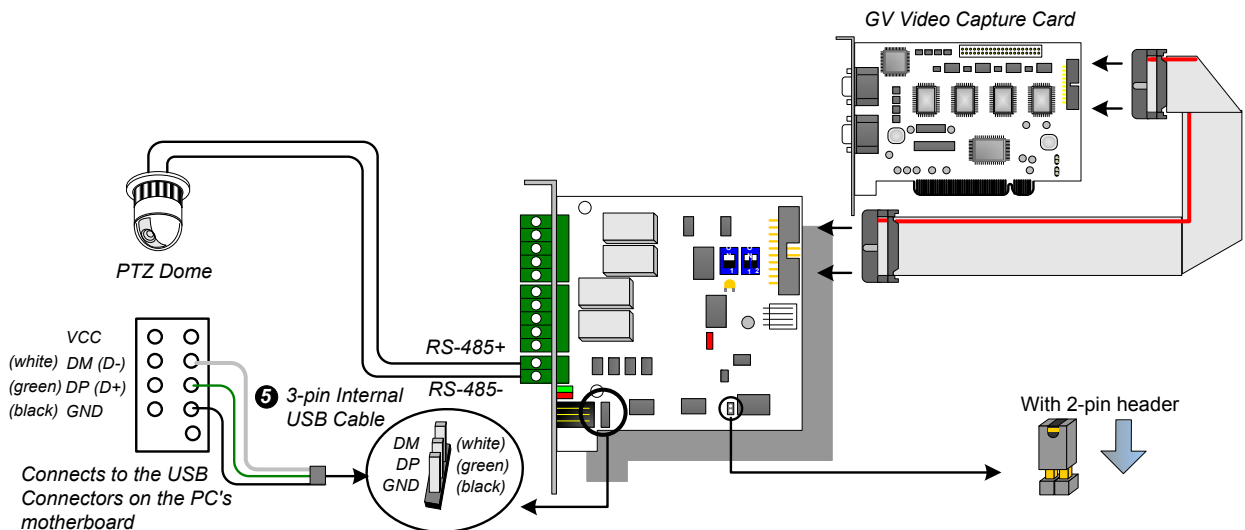


Figure 2-13

Note: It is required to install the USB driver. For details, see 2.22 Installing USB Driver.

Connections In I/O Box Mode

For the connections in the I/O Box Mode, please follow the instructions below:

- It is not necessary to connect the GV-NET/IO Card to GV-Video Capture Card.
- Connect the GV-NET/IO Card to the PC by one of the following three ways.

Three Ways of Connections of GV-NET/IO Card and PC:

1. You can connect a RJ-11 to DB9 Cable to the PC's COM Port. **(Allowed for AC/DC Output Voltage)**

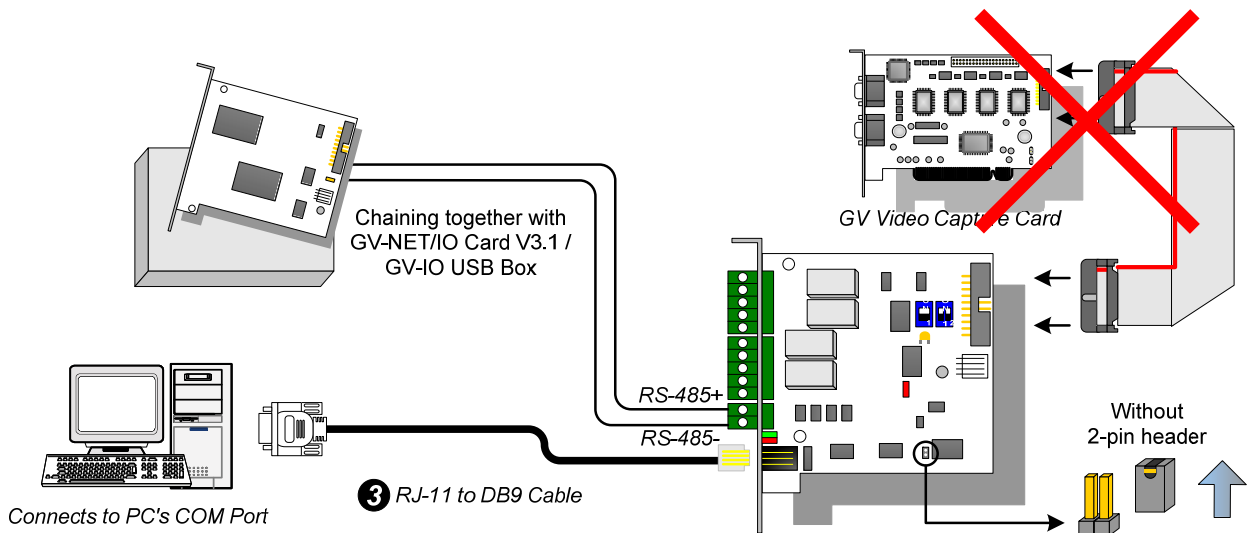


Figure 2-14

- You can connect a RJ-11 to USB Cable to the PC's USB Port. **(Allowed for DC Output Voltage only)**

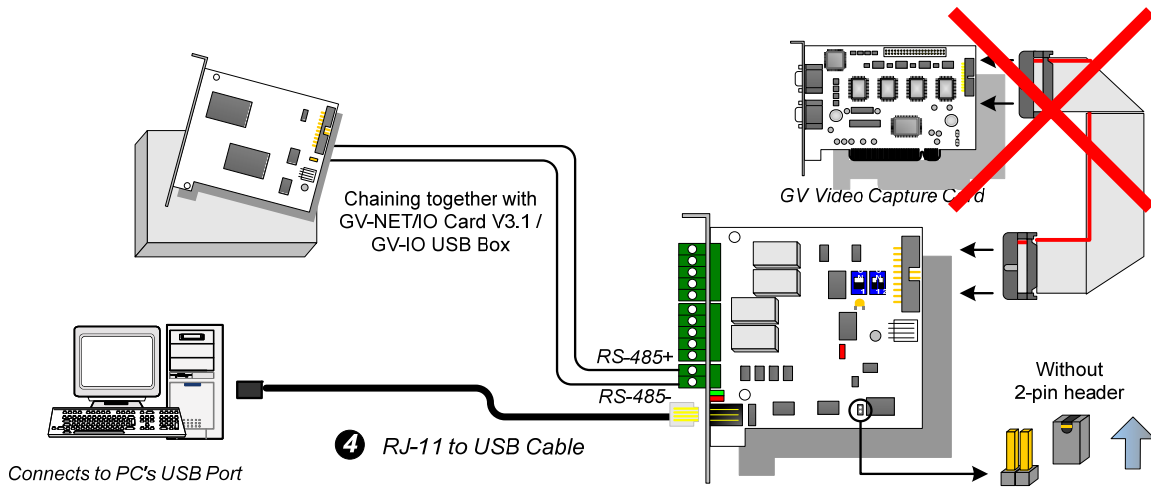


Figure 2-15

Note: It is required to install the USB driver. For details, see 2.22 Installing USB Driver.

- You can connect a 3-Pin Internal USB Cable to the USB Connectors on the PC's Motherboard. **(Allowed for DC Output Voltage only)**

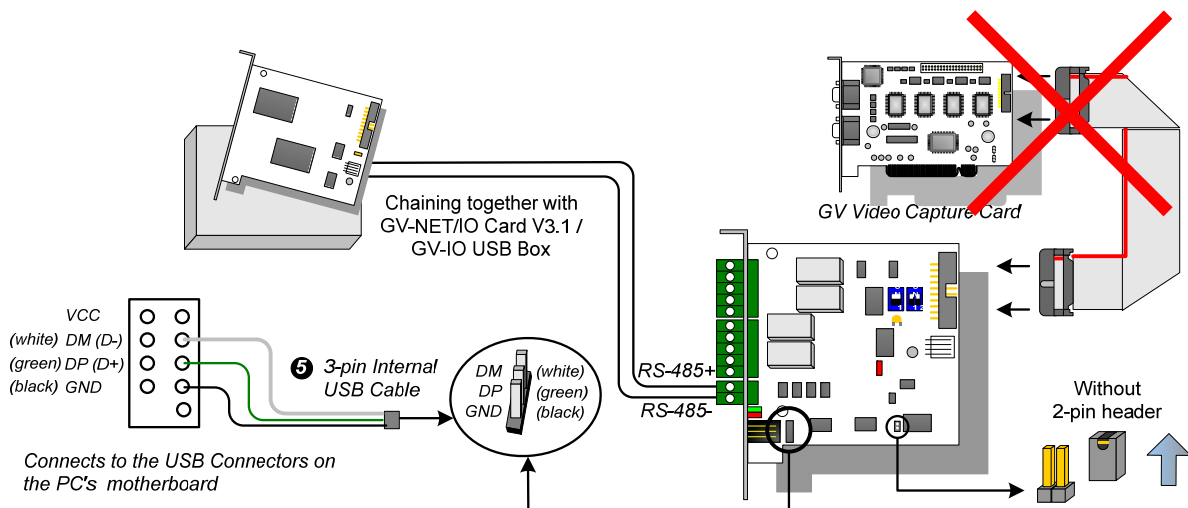


Figure 2-16

Note: It is required to install the USB driver. For details, see 2.22 Installing USB Driver.

Switching Modes

The GV-NET/IO Card provides two modes for users to expand its capability: I/O Box Mode and NET/IO Card Mode. With a mode-switch jumper to insert on the 2-pin header, you can switch between modes.

- **NET/IO Card Mode (default):** With the switch jumper inserted, this default mode acts as a GV-NET/IO Card. It is required to connect the GV-NET/IO Card to the GV-Video Capture Card for usage.
- **I/O Box Mode:** Without the switch jumper inserted, the GV-NET/IO Card can work as an independent device. It is NOT necessary to connect to the GV-Video Capture Card for usage.

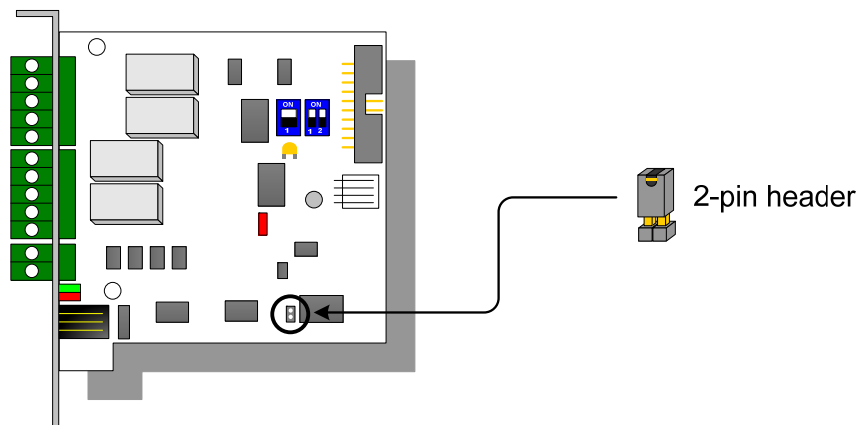


Figure 2-17

Extended Connections

Via the RS-485 connectors, up to 4 GV-NET/IO Cards can be chained together when the GV-NET/IO Card is on the I/O Box mode. For extended connections, the address assignment is shown below.

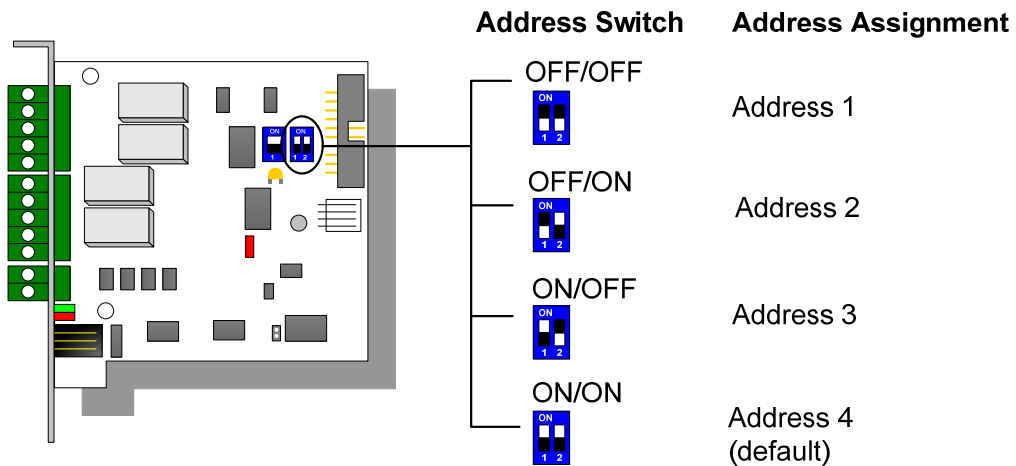


Figure 2-18

Note: When the GV-NET/IO Card is set to the I/O Box Mode, it can have extended connections with GV-I/O Boxes.

DIP Switch

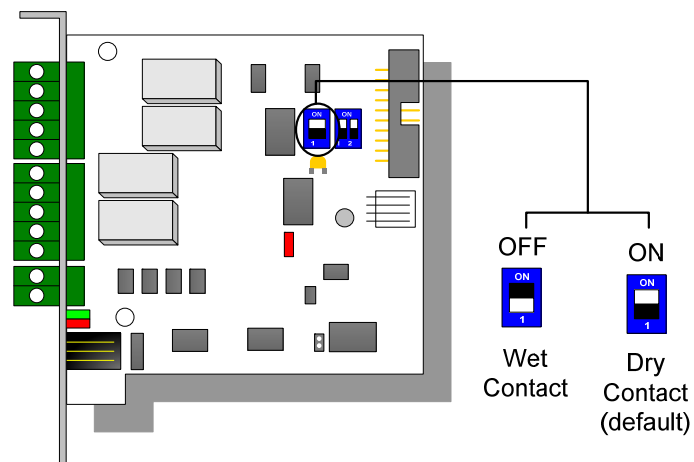


Figure 2-19

Specifications

OS Supported	32-bit	Windows XP / Vista / 7 / Server 2008		
	64-bit	Windows 7 / Server 2008		
Input	Input	4		
	Input Signal	Dry Contact, Wet Contact 9~30V AC/DC		
Output	Relay Output	4		
	Relay Status	Normal Open		
	Relay Capacitance	USB Connection	30V DC, 3A	
		RS-232 Connection	125 / 250V AC, 3A 30V DC, 3A	
Interface	RJ-11 to DB9			
	RJ-11 to USB			
	3-Pin Internal USB to Internal USB			
Mode Switch	I/O Box Mode	Without GV-Video Capture Card		
	NET/IO Card Mode	With GV-Video Capture Card		
Address	1~4			
Communication	RS-485, USB, RS-232			
Environmental Condition	0~50 Degree C / 32~122 Degree F 5%~95% (Non-Condensing)			
Compatible Model	All GV-Video Capture Card Models			
Dimensions (W x H)	99 x 90 mm / 3.90 x 3.54 in			

Ordering Information

55-IOCRD-310

2.5 GV-Hub V2

The GV-Hub V2 adds four RS-232/RS-485 serial ports through your computer's USB port. The USB solution for serial port extension is perfect for any RS-485 to RS-232 conversion requirements, such as POS and PTZ applications.

Packing List

- | | |
|-----------------------------------------------------|-----------------------------------------------------|
| 1. GV-Hub V2 x 1 | 3. DB9 RS-232 Cable x 4
(1.8 meters / 5.90 feet) |
| 2. A to B USB Cable x 1
(1.2 meters / 3.93 feet) | 4. Installation CD x 1 |
| | 5. Installation Guide x 1 |

Overview

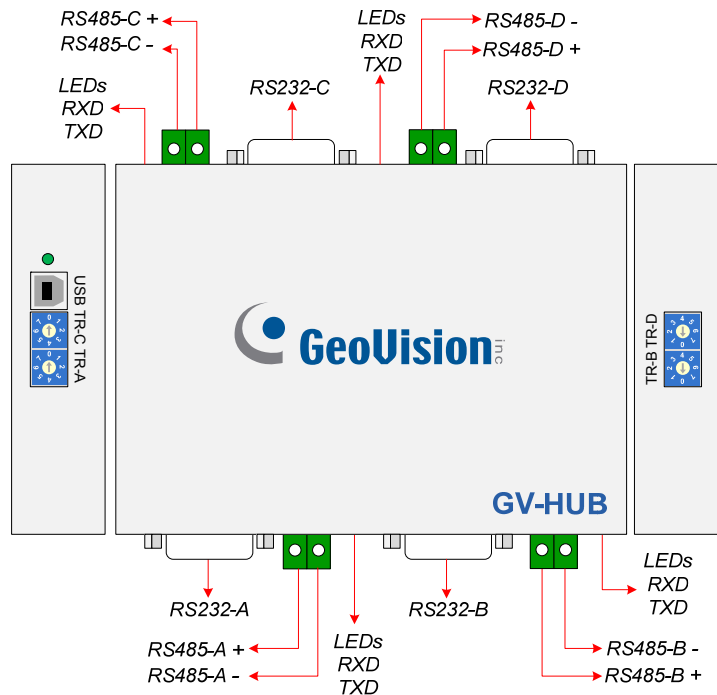


Figure 2-20

Note: There are four sets of RS-232 / 485 ports (A-D). In a single set, you can only choose RS-232 or RS-485 port for connection.

Connections

Following provides two examples of using the GV-Hub V2:

Connecting POS Systems

The GV-Hub V2 can provide a local connection for up to four POS systems, and deliver transaction data to the GV-System over a USB cable.

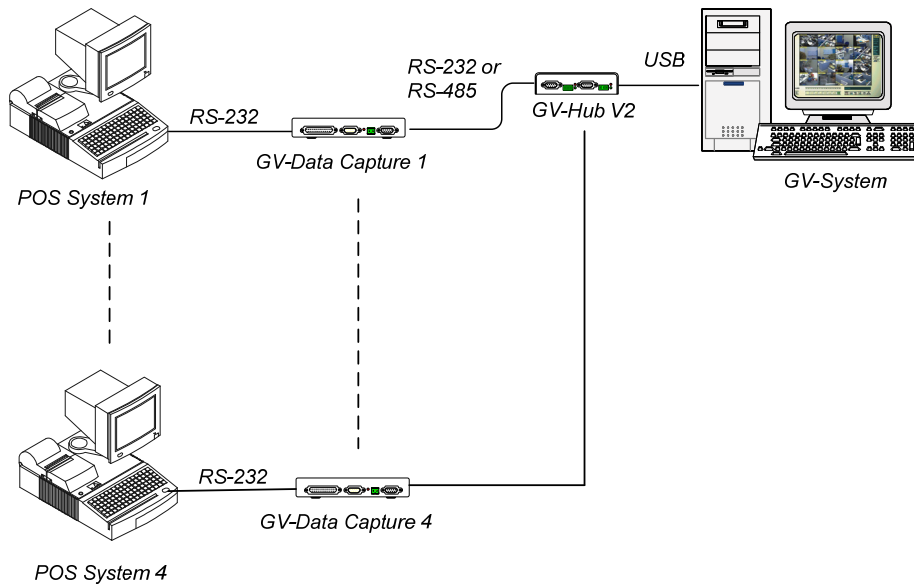


Figure 2-21

Connecting RS-485 Devices

With the GV-Hub V2, the GV-System can connect up to 16 PTZ domes and nine GV-I/O Boxes (16 ports, 8 ports, 4 ports) simultaneously.

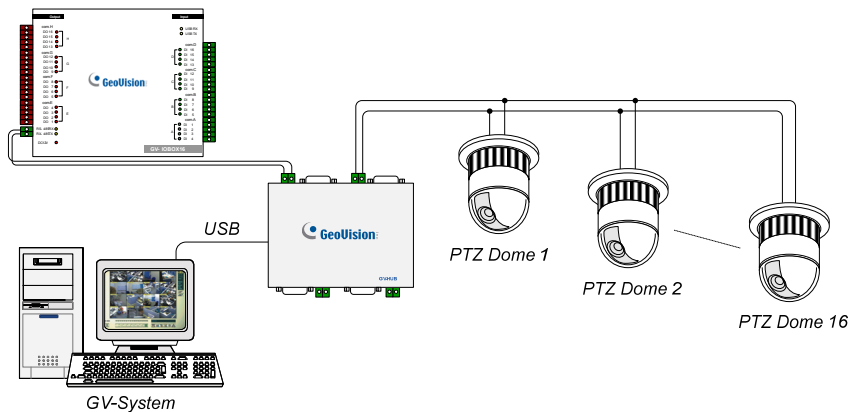
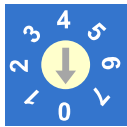


Figure 2-22

Extending Transmission over the Distance

The transmission signals between the RS-485 communications become weak over the distance. To maintain the signals, switch on the Terminal Resistance Switch to reduce the resistance value. The longer the distance, the smaller the resistance value (Ω) should be switched on.

Terminal Resistance Switch



1. TR-A, TR-B, TR-C and TR-D is the Terminal Resistance Switch for RS485-A, RS-485-B, RS-485-C, and RS-485D respectively.
2. Followings are the address assignments of the Terminal Resistance Switch.

Switch No.	Resistance Value (Ω)	Switch No.	Resistance Value (Ω)
0	∞	4	30 Ω
1	120 Ω	5	24 Ω
2	60 Ω	6	20 Ω
3	40 Ω	7	17.14 Ω

Installing Drivers

When you connect the GV-Hub V2 to the computer, the Found New Hardware Wizard will automatically detect the device. To install the drive, follow the steps described in 2.13 *Installing USB Driver*.

To verify the drivers are installed correctly, go to **Device Manager**. Expanding the **Ports** field, you should see the 4 entries for **Prolific USB-to Serial Bridge**.

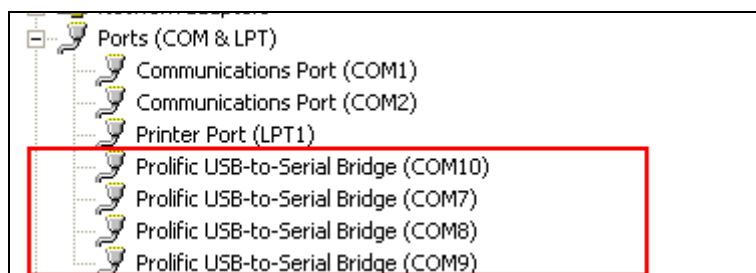


Figure 2-24

Specifications

OS Supported	32-bit	Windows XP / Vista / 7 / Server 2008
	64-bit	Windows 7 / Server 2008
Serial Interface	RS-232	Signal: DCD, RxD, TxD, DTR, GND, DSR, RTS, CTS
		Connector: DB9 Male x 4 (A, B, C, D)
	RS-485	Signal: D+, D-
Connector: Terminal Block x 4 (0 ~7, ∞~17.14 Ω)		
	Serial Line Protection	16 KV ESD for All Signals
USB	Compliance	USB 2.0 Backward Compatible
	Speed	Full Speed 12 Mbps
Communication Parameters	Parity	None, Even, Odd
	Data Bit	7, 8
	Stop Bit	1, 2
	Flow Control	RTS/CTS, XON/XOFF
	Speed	600 bps to 115,200 bps
Environmental Conditions	0~55 Degree C / 32~131 Degree F 5%~95% (Non-Condensing)	
Dimensions (W x H x D)	103 x 30 x 125 mm / 4.06 x 1.18 x 4.92 in	

Ordering Information

84-HUB04-200

2.6 GV-COM V2

The GV-COM V2 adds one RS-485 serial port through your computer's USB port. The USB solution for serial port extension is perfect for any RS-485 to RS-232 conversion requirement such as POS and PTZ applications.

Packing List

1. GV-COM V2 x 1
2. USB Extension Cable x 1
(1.2 meters / 3.93 feet)
3. Installation CD x 1
4. Installation Guide x1

Overview

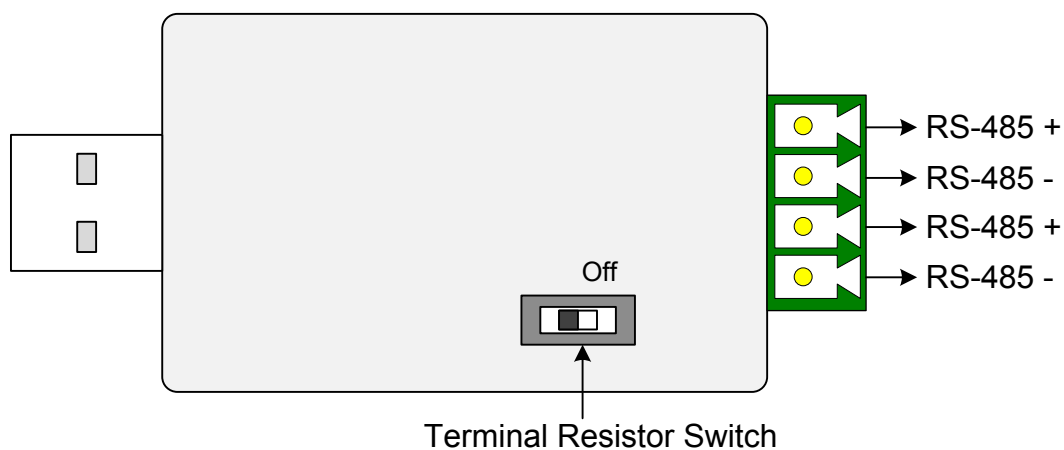


Figure 2-25

Note: The GV-COM V2 is only capable of converting one RS-485 signal to RS-232 signal. The RS-485 port is extended into two sets of connection points.

Extending Transmission over the Distance

When the transmission signals between the RS-485 communications become weak over the distance, switch on the Terminal Resistance Switch to maintain the signals.

The diagram below illustrates how to use the Terminal Resistance Switch to maintain the signals:

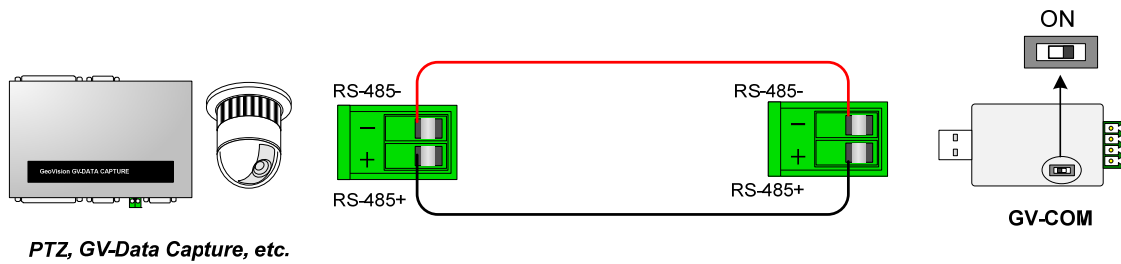
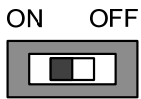


Figure 2-26 Terminal Resistor connections

Terminal Resistance Switch



The default setting of the Switch is OFF. To switch on the Terminal Resistance Switch, push the switch to the **ON** position.

Installing Drivers

When you connect GV-COM V2 to the computer, the Found New Hardware Wizard will automatically detect the device. To install the drive, follow the steps described in 2.13 *Installing USB Driver*.

To verify the drivers are installed correctly, go to **Device Manager**. Expand the **Ports** field, and you should see one entry for Prolific USB-to-Serial Bridge.

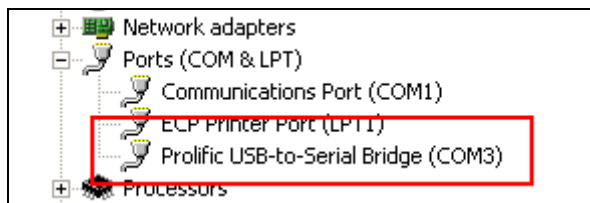


Figure 2-27

Specifications

OS Supported	32-bit	Windows XP / Vista / 7 / Server 2008
	64-bit	Windows 7 / Server 2008
Serial Interface	RS-485	Signal: RS485+, RS485-
		Connector: Terminal Resistance Switch (120Ω)
	Serial Line Protection	16 KV ESD for All Signals
USB	Compliance	USB 2.0 Backward Compatible
	Speed	Full speed 12 Mbps
Communication Parameters	Parity	None, Even, Odd
	Data Bit	7, 8
	Stop Bit	1, 2
	Flow Control	RTS/CTS, XON/XOFF
	Speed	600 bps to 115,200 bps
Environmental Conditions	0~55 Degree C / 32~131 Degree F 5%~95% (Non-Condensing)	
Dimensions (W x H x D)	68.5 x 33.5 x 16 mm / 2.7 x 1.32 x 0.63 in	

Ordering Information

84-GVCOM-200

2.7 GV-I/O 12-In Card V3

The GV-I/O 12-In Card is designed to work with the GV-NET/IO Card. With 12 digital inputs, the GV-I/O 12-In Card can expand the GV-System's capacity up to 16 digital inputs.

System Requirements

- GV-NET/IO Card

Packing List

1. GV-I/O 12-In Card x 1
2. 20-Pin Ribbon Cable with 4 connectors x 1
3. 4-Pin to 4-Pin Mini Power Cable x 1
4. Installation Guide x 1

Connections

Insert the GV-I/O 12-In Card to an empty card slot. Connect the 20-Pin Ribbon Cable to the GV Video Capture Card, the GV-I/O 12-Out Card, and the GV-NET/IO Card as shown below.

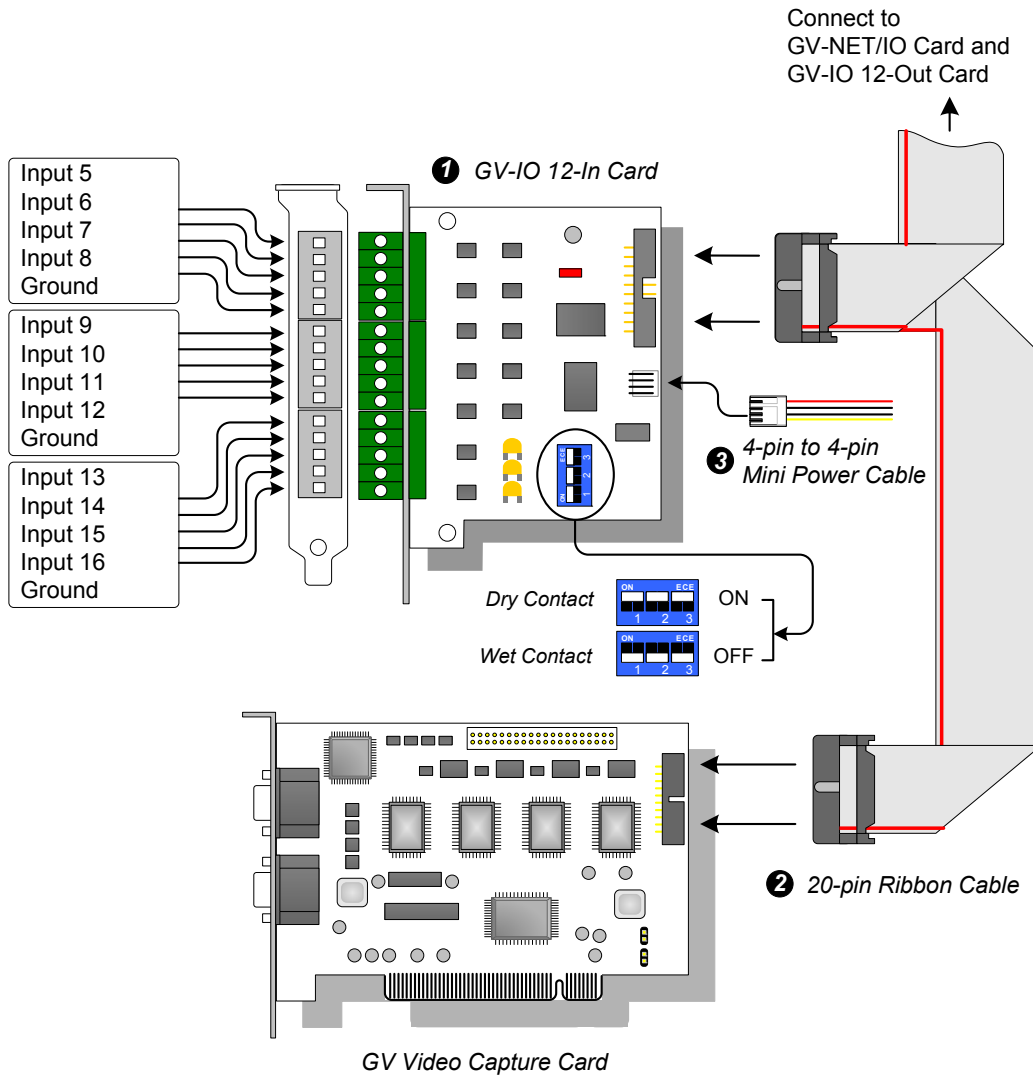


Figure 2-28 GV-I/O 12-In Card connections

Note:

1. Use of DIP switch:
 - a. Use the switch for dry contact and 9-30V wet contact.
 - b. The card allows the use of mixing dry and wet contact devices together. (Default Setting: Dry Contact)
 - c. The 12 inputs divided as four-in-one groups are related to the three switches on the card for dry and wet contact.
2. To prevent the noise interference in I/O operation, tightly screw the GV-I/O 12-In Card to the PC case.
3. The GV-I/O 12-In Card must work with the GV-NET/IO Card together.

Specifications

OS Supported	32-bit	Windows XP / Vista / 7 / Server 2008
	64-bit	Windows 7 / Server 2008
Input	Input	12
	Input Signal	Dry Contact, Wet Contact 9~30V AC/DC
DC IN	DC 5V, 1A	
Environmental Condition	0~50 Degree C / 32~122 Degree F 5%~95% (Non-Condensing)	
Compatible Model	All GV-Video Capture Card Models	
Dimensions (W x H)	90 x 99 mm / 3.54 x 3.90 in	

Ordering Information

55-IO12I-300

2.8 GV-I/O 12-Out Card V3

The GV-I/O 12-Out Card is designed to work with the GV-NET/IO Card. With 12 relay outputs, the GV-I/O 12-out Card can expand the GV-System's capacity up to 16 relay outputs.

System Requirements

- GV-NET/IO Card

Packing List

1. GV-I/O 12-Out Card x 1
2. 20-Pin Ribbon Cable with 4 Connectors x 1
3. 4-Pin to 4-Pin Mini Power Cable x 1
4. Installation Guide x 1

Connections

Insert the GV-I/O 12-Out Card to an empty card slot. Connect the 20-Pin Ribbon Cable to the GV Video Capture Card, the GV-I/O 12-In Card, and the GV-NET/IO Card as shown below.

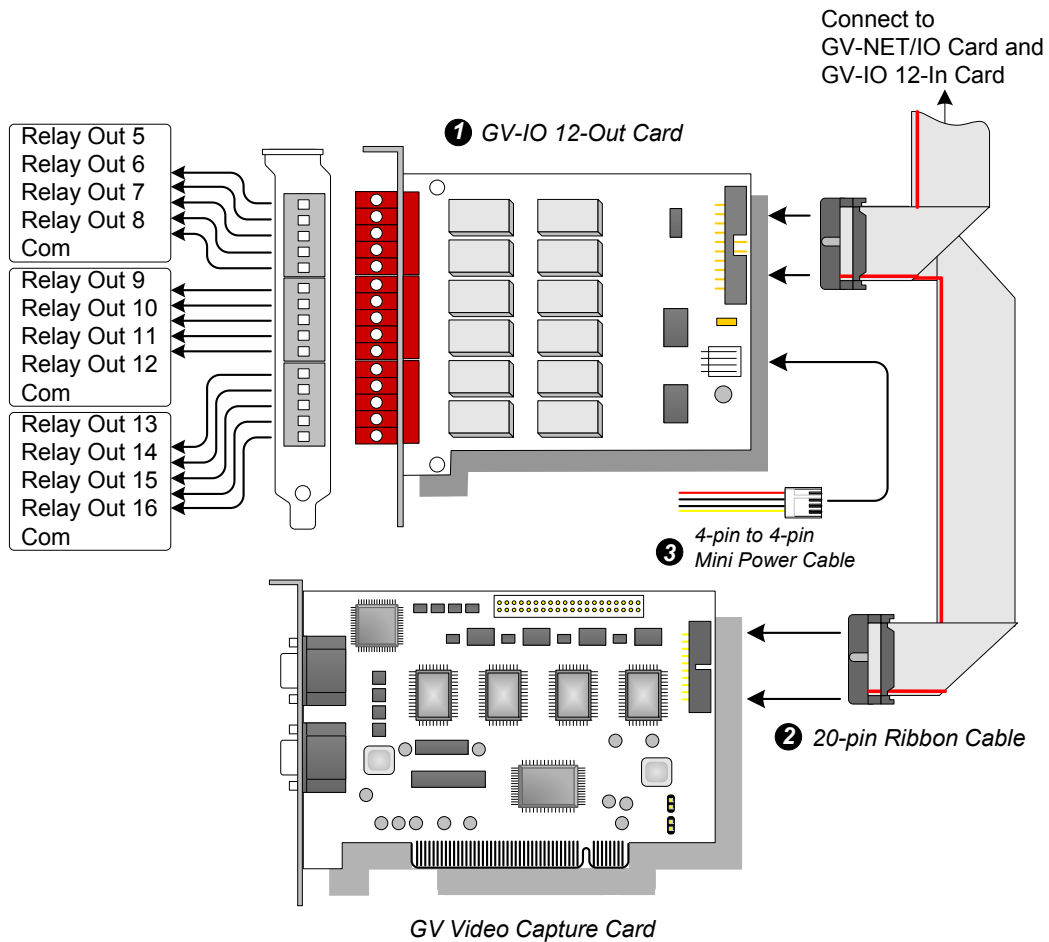


Figure 2-29 GV-I/O 12-Out Card connections

Note:

1. To prevent noise interference in I/O operation, tightly screw the GV-I/O 12-Out Card to the computer case.
2. The GV-I/O 12-Out Card must work together with the GV-NET/IO Card.

Specifications

OS Supported	32-bit	Windows XP / Vista / 7 / Server 2008		
	64-bit	Windows 7 / Server 2008		
Output	Relay Output	12		
	Relay Status	Normal Open		
	Relay Capacitance	USB Connection	30V DC, 3A	
		RS-232 Connection	125 / 250V AC, 3A	
DC IN	DC 5V, 1A			
Environmental Condition	0~50 Degree C / 32~122 Degree F 5%~95% (Non-Condensing)			
Compatible Model	All GV-Video Capture Card Models			
Dimensions (W x H)	120 x 99 mm / 4.72 x 3.90 in			

Ordering Information

55-IO120-300

2.9 GV-I/O Box (16 Ports)

The GV-I/O Box 16 provides 16 inputs and 16 relay outputs, and supports both DC and AC output voltages.

Key Features

- 16 inputs and 16 outputs are provided.
- Up to 9 pieces of GV-I/O Box 16 can be chained together.
- A USB port is provided for PC connection, and it is only used for 30 DC output voltage.
- Ethernet module is optional

System Requirements

- GV-System version 8.2 or above

Packing List

1. GV-I/O Box 16 x 1
2. USB Cable (Type A to B) x 1
3. Power Adapter DC 12V x 1
4. Installation Guide x 1

Note: The GV-I/O box (16 Ports) comes with the option of an Ethernet module. See [2.12 Accessing GV-I/O Box over Networks](#).

Overview

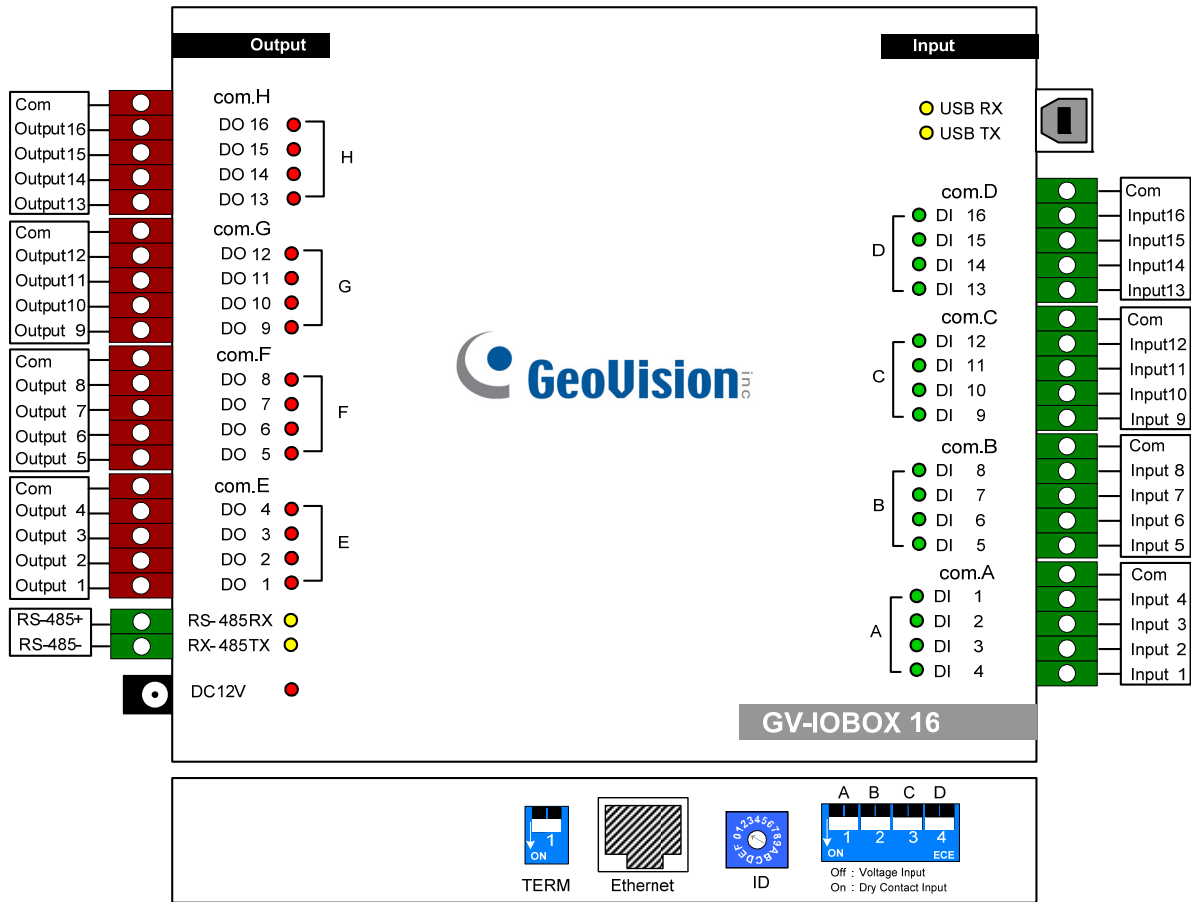
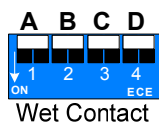


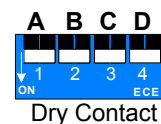
Figure 2-30

DIP Switch

The GV-I/O Box 16 allows the use of mixing dry and wet contact devices together. The 16 inputs divided as four-in-one groups (A, B, C and D) are related to the 4 switches on the box for dry and wet contact.



To change the inputs to different kind of contact, push the switch upward.



To change the inputs to different kind of contact, push the switch downward.

Note: The RS-485 connectors do not have the conversion function from RS-485 to RS-232, so don't connect RS-485 devices, such as PTZ camera, to the connectors.

Connections to PC

There are three ways to connect the GV-I/O Box 16 to the PC:

- (1) Use the USB cable to connect the PC.
- (2) Through the option of GV-Hub, GV-COM, GV-NET Card or GV-NET/IO Card, use the RS-485 connectors to connect the PC.
- (3) Through network connection. This is an optional function. See *2.12 Accessing GV-I/O Box over Networks*.

Note: Only one of the three methods can be used one time. If your GV-I/O Box has network connectivity, ensure to unplug the network cable before switching the connection to USB or RS-485. See [Connection to IO BOX] in *2.12.3 Other Setting*.

1. Use the USB cable to connect one GV-I/O Box 16 to PC. **(Allowed for DC Output Voltage only)**

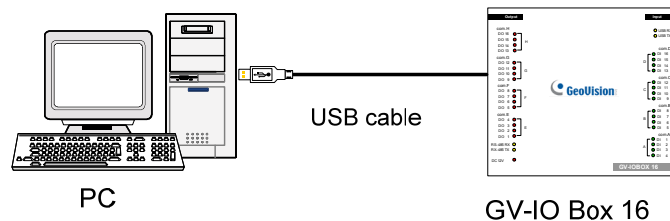


Figure 2-31

Note: It is required to install the USB driver. See *2.13 Installing USB Driver*.

2. Use the RS-485 connectors to connect one GV-I/O Box 16 to PC. **(Allowed for AC/DC Output Voltage)**

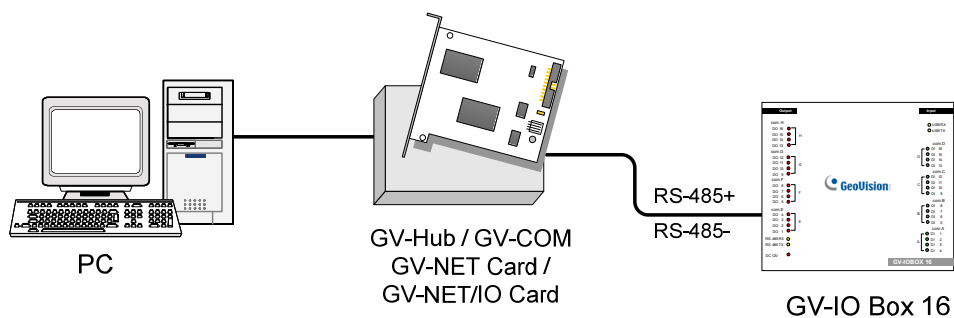


Figure 2-32

Assigning Addresses to GV-I/O Box 16

Up to 9 pieces of GV-I/O Box 16 can be chained together to expand the I/O capacity. Use the ID switch (1~9) to assign addresses 1~9 to the connected GV-I/O Box 16.

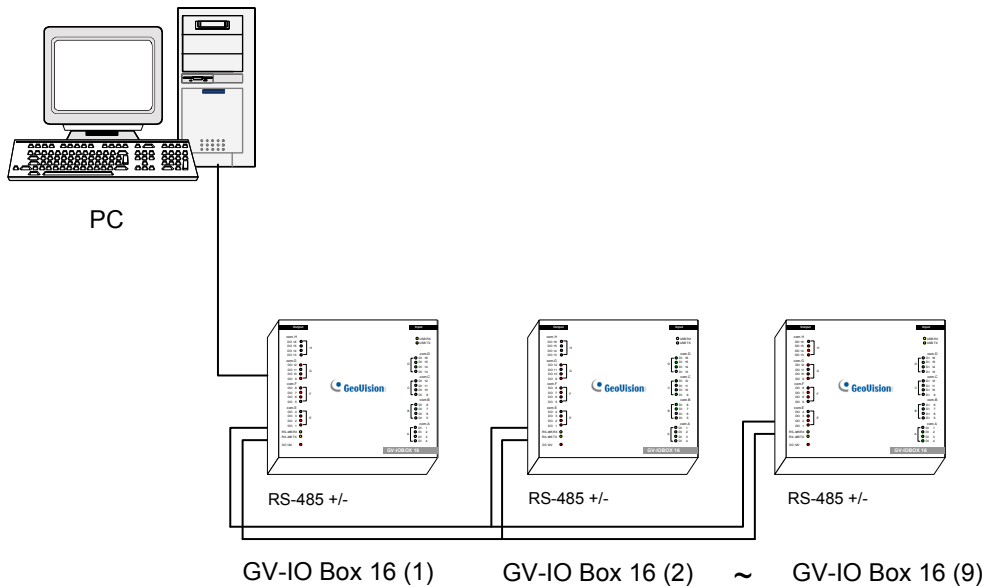


Figure 2-33

ID Switch



ID

1. Addresses 0 and A to F are NOT functional.
2. Assign the addresses when the power is off.
3. If you want to change the assigned address of the connected GV-I/O Box 16, set the switch to the new address, and then re-plug the power adaptor.

Extending Transmission over the Distance

When the transmission signals between the RS-485 communications become weak over the distance, switch on the Terminal Resistance Switches to maintain the signals. Three conditions below illustrate how the Terminal Resistance Switches should be switched on.

1. Multiple pieces of GV-I/O Box 16 are connected with the PC through one single RS-485 cable.

After you connect multiple pieces of GV-I/O Box 16 with the PC, only switch on the Terminal Resistance Switches in the first and last connected pieces of GV-I/O Box 16.

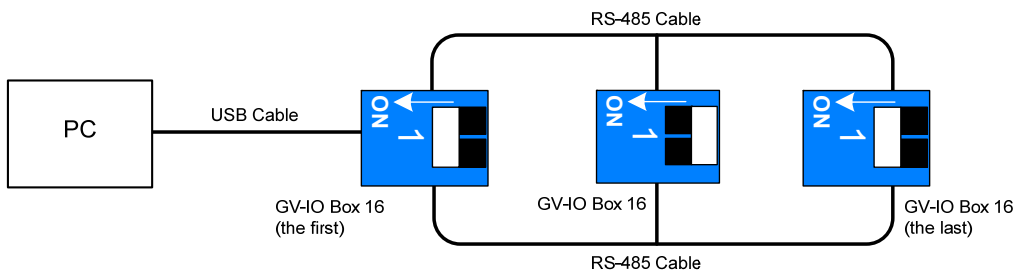


Figure 2-34

2. Multiple pieces of GV-I/O Box 16 are connected with the PC through a RS-485 / RS-232 conversion device.

After you connect multiple pieces of GV-I/O Box 16 with the PC through a RS-485 / RS-232 conversion device, such as GV-NET/IO Card and GV-Hub, insert a Terminal Resistor in the conversion device and switch on the Terminal Resistance Switch of the last connected GV-I/O Box 16.

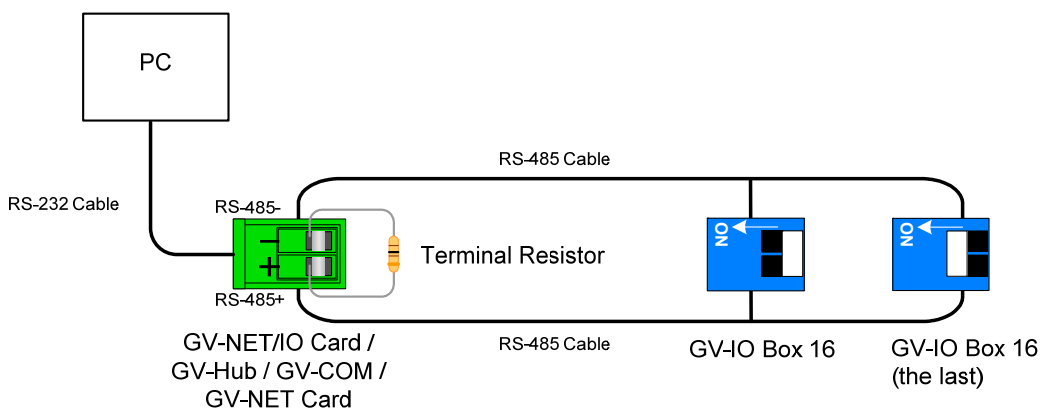


Figure 2-35

3. Multiple pieces of GV-I/O Box 16 are connected with the PC through separate RS-485 cables.

After you connect multiple pieces of GV-I/O Box 16 with the PC through separate RS-485 cables, switch on Terminal Resistance Switches of the connected piece of GV-I/O Box 16 at the end of each cable.

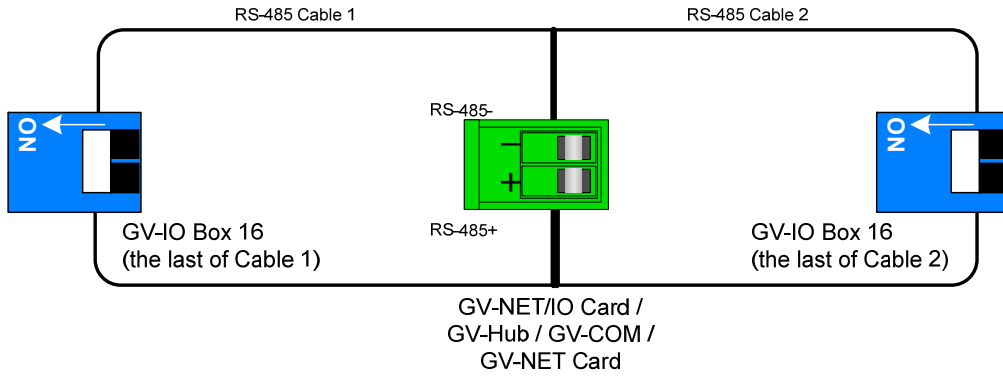
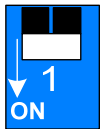


Figure 2-36

Terminal Resistance Switch



The default setting of the Switch is OFF. To switch on the Terminal Resistance Switch, push the switch downward.

Specifications

Input	Input	16		
	Input Signal	Dry Contact		
		Wet Contact, 9-30V AC/DC		
Output	Relay Output	16		
	Relay Status	Normal Open		
	Relay Capacitance	USB Connection	30V DC, 3A	
		RS-485 Connection	125 / 250V AC, 3A 30V DC, 3A	
Ethernet	RJ-45, 10/100 Mbps (Optional)			
DC IN	DC 12V, 1A			
Address	0-9, A-F			
Terminal Resistance	120Ω			
Environmental Condition	0~50 Degree C / 32~122 Degree F 5%~95% (Non-Condensing)			
Dimensions (W x H x D)	180 x 27 x 183 mm / 7.09 x 1.06 x 7.2 in			

Ordering Information

84-IOB16-100

2.10 GV-I/O Box (8 Ports)

The GV-I/O Box 8 provides 8 inputs and 8 relay outputs, and supports both DC and AC output voltages.

Key Features

- 8 inputs and 8 outputs are provided.
- Up to 9 pieces of GV-I/O Box 8 can be chained together.
- A USB port is provided for PC connection, and it is only used for 30 DC output voltage.
- Ethernet module is optional.

System Requirements

- GV-System version 8.2 or above

Packing List

- | | |
|--------------------------------|-----------------------------|
| 1. GV-I/O Box 8 x 1 | 3. Power Adapter DC 12V x 1 |
| 2. USB Cable (Type A to B) x 1 | 4. Installation Guide x 1 |

Note: The GV-I/O box (8 Ports) comes with the option of an Ethernet module. See [2.12 Accessing GV-I/O Box over Networks](#).

Overview

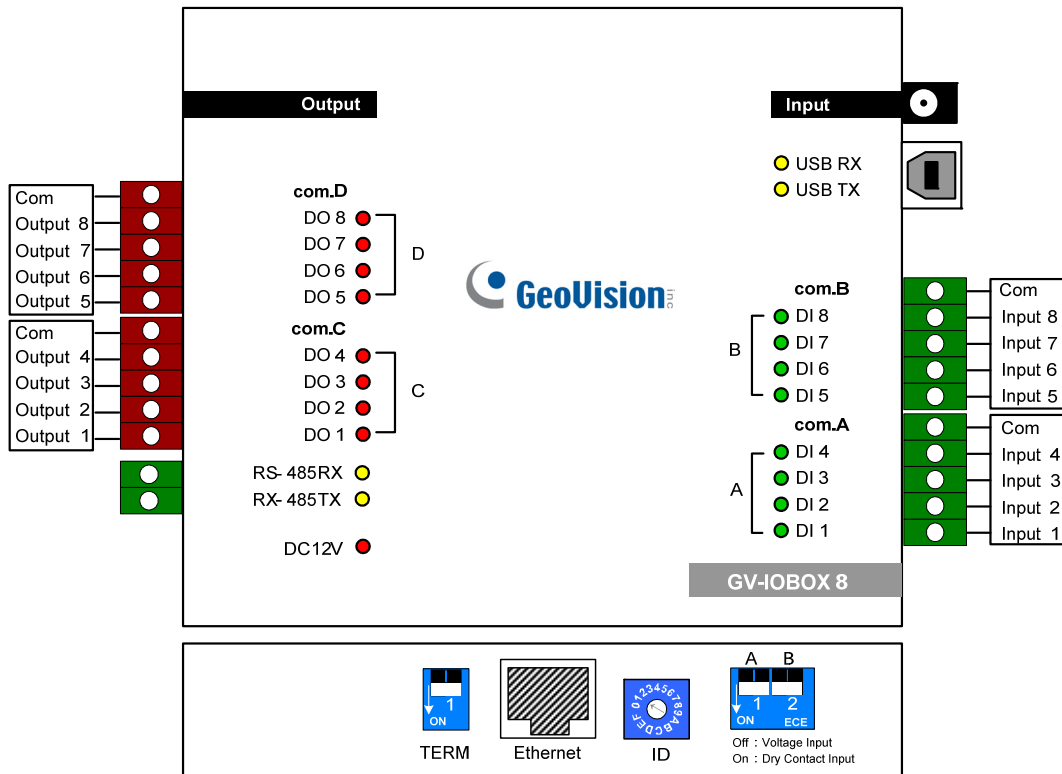
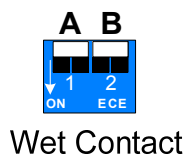


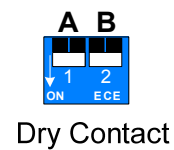
Figure 2-37

DIP Switch

The GV-I/O Box 8 allows the use of mixing dry and wet contact devices together. The 8 inputs divided as four-in-one groups (A and B) are related to the 2 switches on the box for dry and wet contact.



To change the inputs to different kind of contact, push the switch upward.



To change the inputs to different kind of contact, push the switch downward.

Note:

1. The RS-485 connectors do not have the conversion function from RS-485 to RS-232, so don't connect RS-485 devices, such as PTZ camera, to the connectors.
2. To add a GV-I/O Box 8 to the GV-System of version 8.2, select **GVIO-USB (16)** from the Device drop-down list in the System Configure dialog box.

Connections

There are three ways to connect a GV-I/O Box 8 to the PC:

- (1) Use the USB cable to connect the PC.
- (2) Through the option of GV-Hub, GV-COM, GV-NET Card or GV-NET/IO Card, use the RS-485 connectors to connect the PC.
- (3) Through network connection that is an optional function. See 2.12 *Accessing GV-I/O Box over Networks*

Note: Only one of the three methods can be used one time. If your GV-I/O Box has network connectivity, ensure to unplug the network cable before switching the connection to USB or RS-485. See [Connection to IO BOX] in 2.12.3 *Other Setting*.

1. Use the USB cable to connect one GV-I/O Box 8 to the PC. **(Allowed for DC Output Voltage only)**

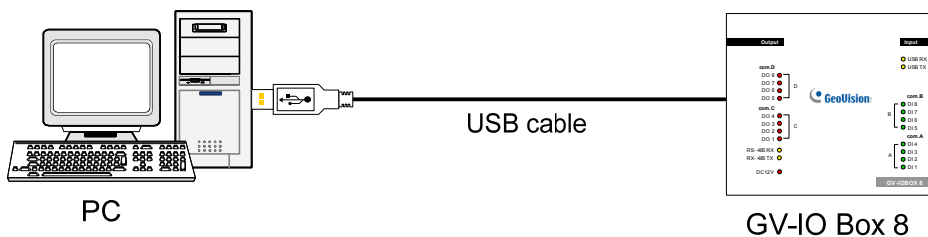


Figure 2-38

Note: It is required to install the USB driver. See 2.13 *Installing USB Driver*.

2. Use the RS-485 connectors to connect one GV-I/O Box 8 with the PC. **(Allowed for AC/DC Output Voltage)**

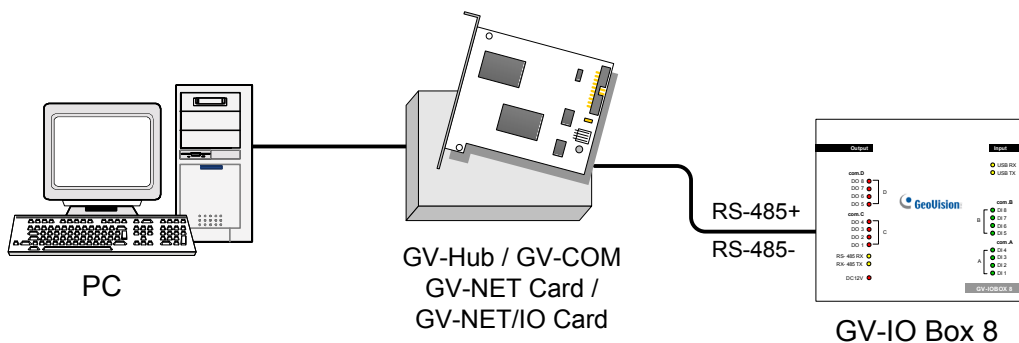


Figure 2-39

Assigning Addresses to GV-I/O Box 8

Up to 9 pieces of GV-I/O Box 8 can be chained together to expand the I/O capacity. Use the ID switch (1~9) to assign addresses 1~9 to the connected pieces of GV-I/O Box 8.

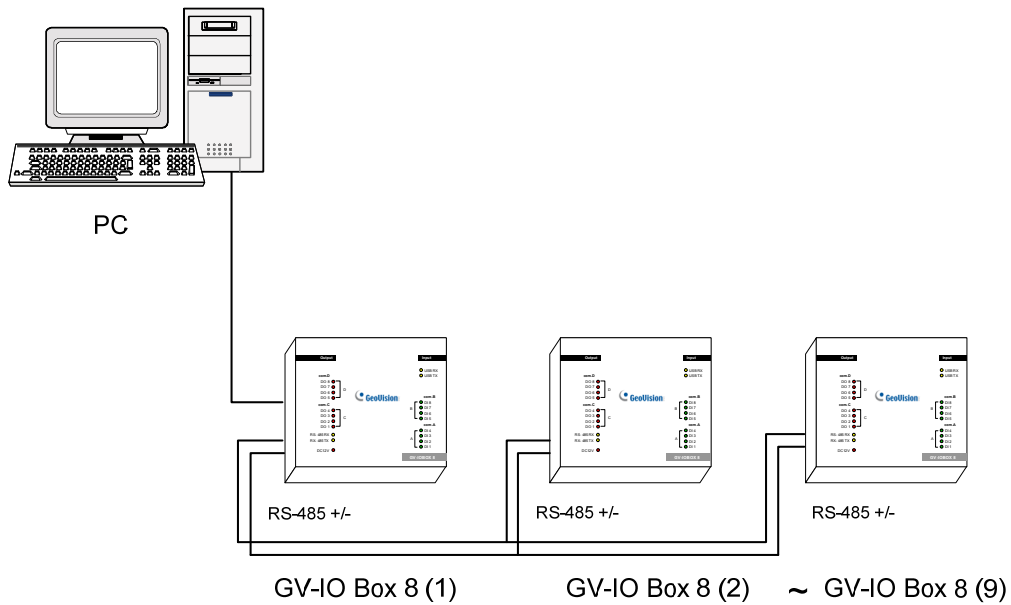


Figure 2-40

ID Switch



ID

1. Addresses 0 and A to F are NOT functional.
2. Assign the addresses when the power is off.
3. If you want to change the assigned address of the connected GV-I/O Box 8, set the switch to the new address, and then re-plug the power adaptor.

Extending Transmission over the Distance

When the transmission signals between the RS-485 communications become weak over the distance, switch on the Terminal Resistance Switches to maintain the signals. Three conditions below illustrate how the Terminal Resistance Switches should be switched on.

1. Multiple pieces of GV-I/O Box 8 are connected with the PC through one single RS-485 cable.

After you connect multiple pieces of GV-I/O Box 8 with the PC, only switch on the Terminal Resistance Switches in the first and last connected pieces of GV-I/O Box 8.

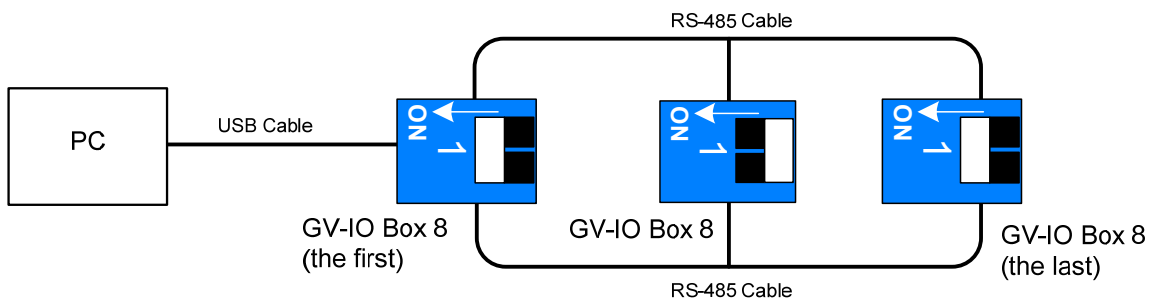


Figure 2-41

2. Multiple pieces of GV-I/O Box 8 are connected with the PC through a RS-485 / RS-232 conversion device.

After you connect multiple pieces of GV-I/O Box 8 with the PC through a RS-485 / RS-232 conversion device, such as GV-NET/IO Card and GV-Hub, insert a Terminal Resistor in the conversion device and switch on the Terminal Resistance Switch of the last connected GV-I/O Box 8.

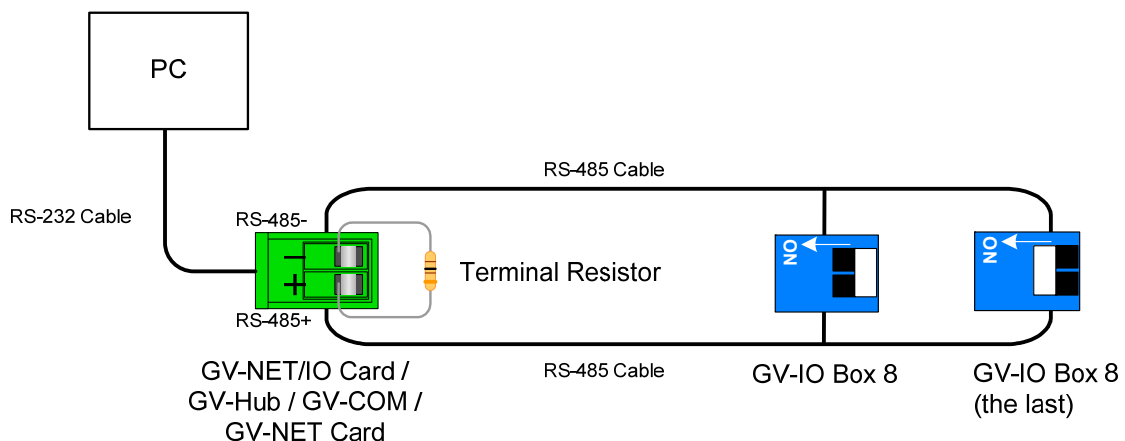


Figure 2-42

3. Multiple pieces of GV-I/O Box 8 are connected with the PC through separate RS-485 cables.

After you connect multiple pieces of GV-I/O Box 8 with the PC through separate RS-485 cables, switch on Terminal Resistance Switches of the connected piece of GV-I/O Box 8 at the end of each cable.

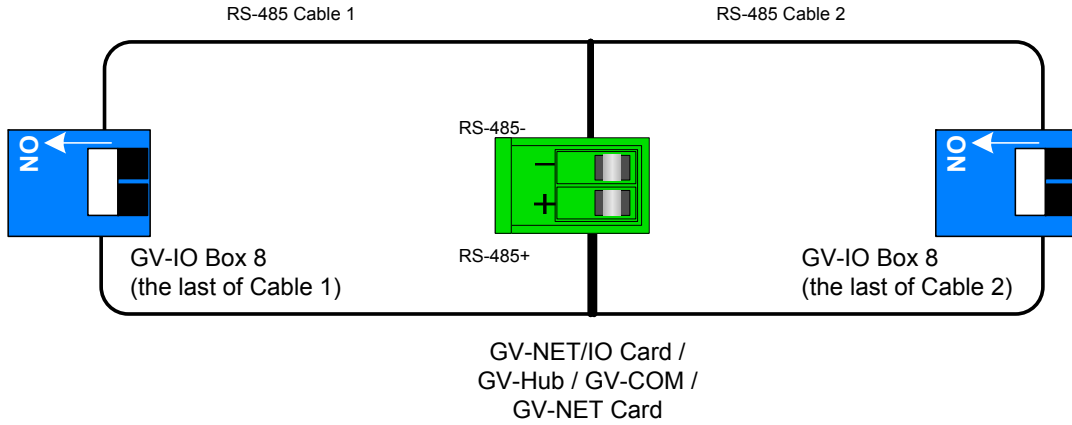
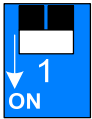


Figure 2-43

Terminal Resistance Switch



The default setting of the Switch is OFF. To switch on the Terminal Resistance Switch, push the switch downward.

Specifications

Input	Input	8		
	Input Signal	Dry Contact		
		Wet Contact, 9-30V AC/DC		
Output	Relay Output	8		
	Relay Status	Normal Open		
	Relay Capacitance	USB Connection	30V DC, 3A	
		RS-485 Connection	125 / 250V AC, 3A 30V DC, 3A	
Ethernet	RJ-45, 10/100 Mbps (Optional)			
DC IN	DC 12V, 1A			
Address	0-9, A-F			
Terminal Resistance	120Ω			
Environmental Condition	0~50 Degree C / 32~122 Degree F 5%~95% (Non-Condensing)			
Dimensions (W x H x D)	135 x 28 x 145 mm / 5.31 x 1.10 x 5.70 in			

Ordering Information

84-IOB08-100

2.11 GV-I/O Box (4 Ports)

As a small but a capable device, the GV-I/O Box 4 provides 4 inputs and 4 relay outputs. It supports both DC and AC output voltages, and provides a USB port for PC connection.

Key Features

- 4 inputs and 4 outputs are provided.
- Up to 9 pieces of GV-I/O Box 4 can be chained together.
- A USB port is provided for PC connection, and it is only used for 30 DC output voltage.

System Requirements

- GV-System version 8.2 or above

Packing List

- | | |
|---------------------------|-----------------------------|
| 1. GV-I/O Box 4 x 1 | 4. Terminal Resistor x 1 |
| 2. RJ-11 to DB9 Cable x 1 | 5. Power Adapter DC 12V x 1 |
| 3. RJ-11 to USB Cable x 1 | 6. Installation Guide x 1 |

Note: The GV-I/O Box (4 Ports) does not provide the option of an Ethernet module.

Overview

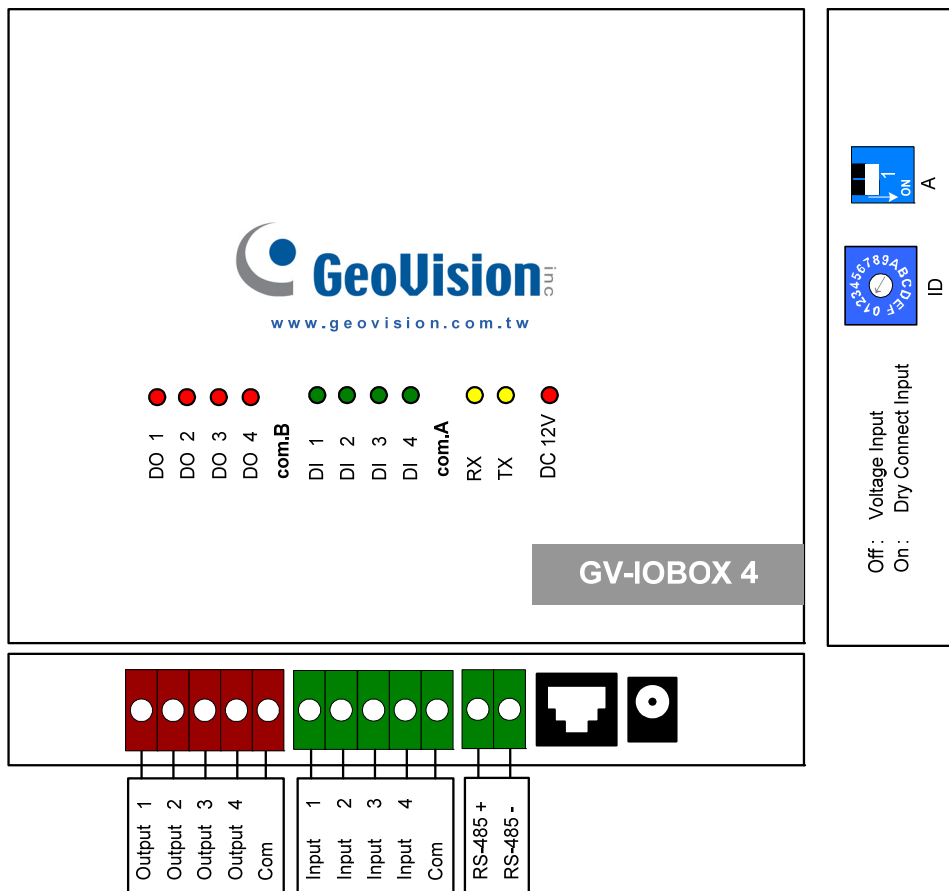
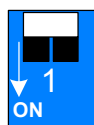


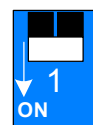
Figure 2-44

DIP Switch



A
Wet Contact

To change the inputs to different kind of contact, push the switch upward.



A
Dry Contact

To change the inputs to different kind of contact, push the switch downward.

Note: The RS-485 connectors do not have the conversion function from RS-485 to RS-232. It will not work if you connect RS-485 devices, such as PTZ camera, to the connectors.

Connections to PC

There are two ways to connect a GV-I/O Box 4 to the PC:

1. Use the RJ-11 to USB cable to connect a GV-I/O Box 4 to the PC. **(Allowed for DC Output Voltage only)**

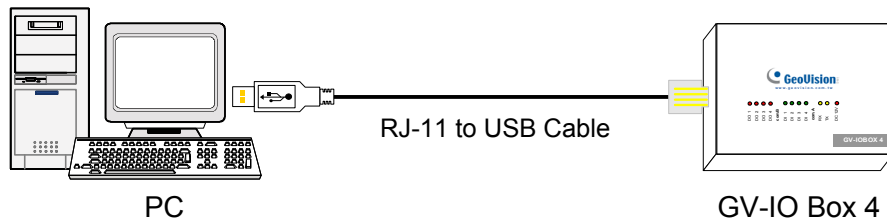


Figure 2-45

Note: It is required to install the USB driver. See 2.13 *Installing USB Driver*.

2. Use the RJ-11 to DB9 cable to connect a GV-I/O Box 4 to the PC. **(Allowed for AC/DC Output Voltage)**

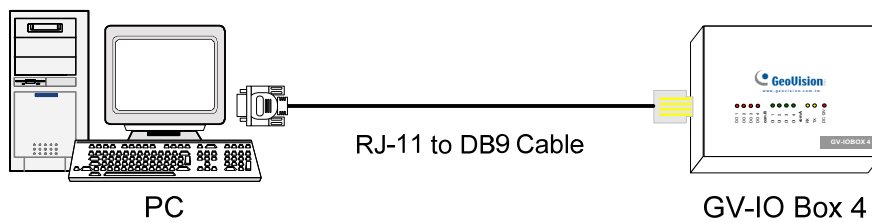


Figure 2-46

Assigning Addresses to GV-I/O Box 4

Up to 9 pieces of GV-I/O Box 4 can be chained together to expand the I/O capacity. Use the ID switch to assign addresses 1~9 to the connected pieces of GV-I/O Box 4.

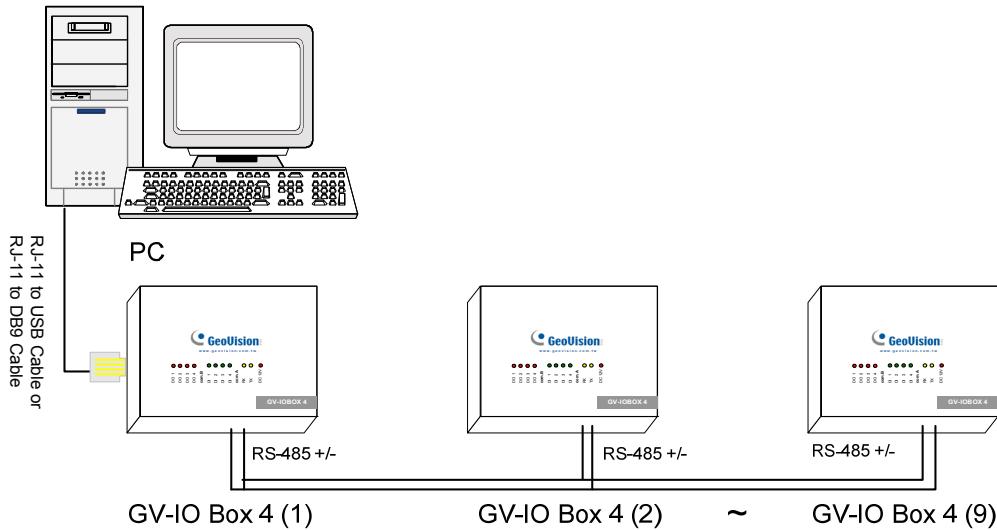


Figure 2-47

ID Switch



ID

1. Address 0 and A to F are NOT functional.
2. Assign the addresses when the power is off.
3. If you want to change the assigned address of the connected GV-I/O Box 4, set the switch to the new address, and then re-plug the power adaptor.

Extending Transmission over the Distance

When the transmission signals between the RS-485 communications become weak over the distance, use the supplied Terminal Resistor to maintain the signals. Three conditions below illustrate how the Terminal Resistors should be inserted.

1. Multiple pieces of GV-I/O Box 4 are connected with the PC through one single RS-485 cable.

When you connect one GV-I/O Box 4 to another GV-I/O Box 4 or more, only insert the Terminal Resistors in the first and last connected pieces of GV-I/O Box 4.

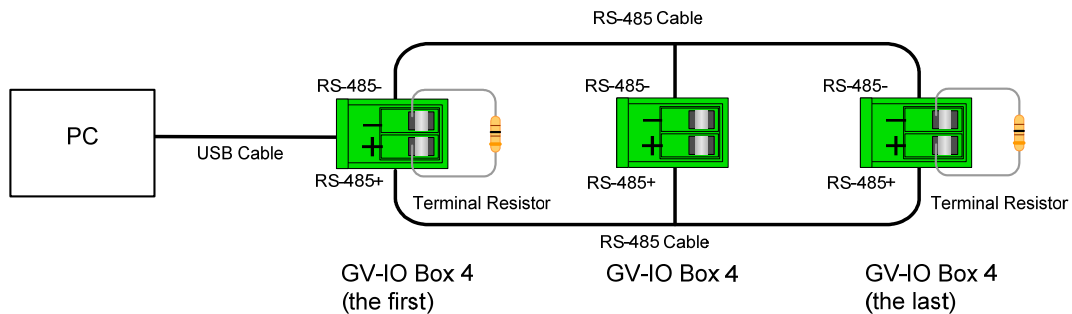


Figure 2-48

2. Multiple pieces of GV-I/O Box 4 are connected with the PC through a RS-485 / RS-232 conversion device.

After you connect multiple pieces of GV-I/O Box 4 with the PC through RS-485 / RS-232 conversion device, such as GV-NET/IO Card and GV-Hub, insert the Terminal Resistors in the conversion device and the last connected GV-I/O Box 4.

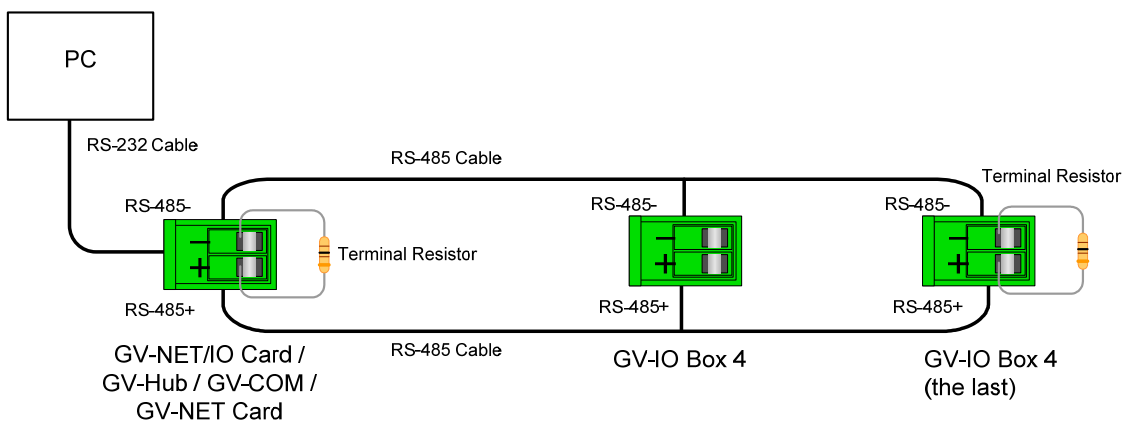


Figure 2-49

3. Multiple pieces of GV-I/O Box 4 are connected with the PC through separate RS-485 cables.

After you connect multiple pieces of GV-I/O Box 4 with the PC through separate RS-485 cables, insert the Terminal Resistors in the connected piece of GV-I/O Box 4 at the end of each cable.

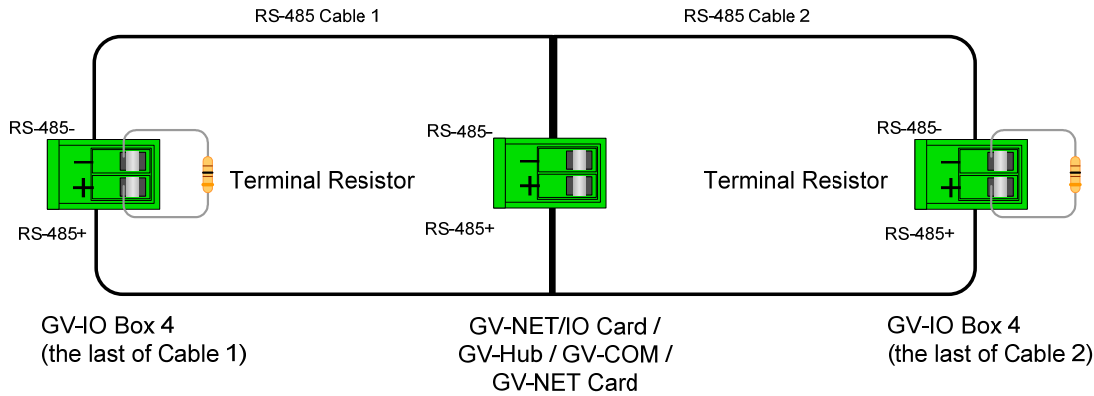


Figure 2-50

Specification

Input	Input	4	
	Input Signal	Dry Contact Wet Contact, 9-30V AC/DC	
Output	Relay Output	4	
	Relay Status	Normal Open	
	Relay Capacitance	USB Connection	30V DC, 3A
		RS-232 / RS-485 Connection	125 / 250V AC, 3A 30V DC, 3A
DC IN	DC 12V, 1A		
Address	0-9, A-F		
Terminal Resistance	120Ω		
Environmental Condition	0~50 Degree C / 32~122 Degree F 5%~95% (Non-Condensing)		
Dimensions (W x H x D)	111.4 x 27.5 x 101 mm / 4.39 x 1.08 x 3.98 in		

Ordering Information

84-IOB04-100

2.12 Accessing GV-I/O Box over Networks

GV-I/O Box 8 and **GV-I/O Box 16** come with the option of network connectivity. With network connectivity, GV-I/O Box can be linked to GV-System, GV-GIS and Control Center over networks for I/O management.

GV-I/O Box with network connectivity can support two network environments: Fixed IP and DHCP. Depending on your network, choose Fixed IP for a static IP address or DHCP for a dynamic IP address such as those assigned by an ISP or other DHCP server.

GV-I/O Box is linked to GV-System by using the **Virtual I/O** function. Please note these specifications when GV-I/O Box works with GV-System:

1. GV-System supports up to 9 I/O modules which include real I/O devices and virtual I/O devices linked through networks.
2. Up to 5 connections, which include GV-System and any CMS applications, are allowed to control one GV-I/O Box.

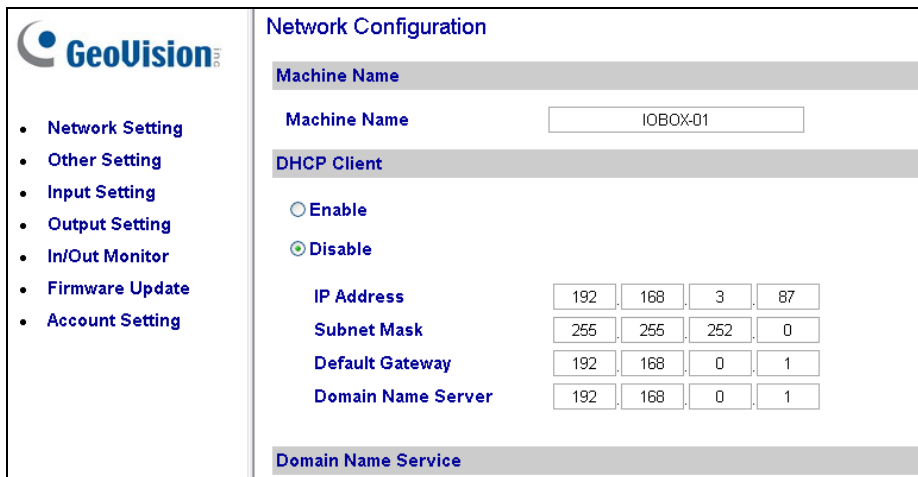
Note:

1. GV-I/O Box has a default IP address of **192.168.0.100**. The computer used to set the IP address must be under the same network or subnet sequence assigned to the Box.
 2. To link GV-I/O Box to GV-System, see *Virtual I/O Control*, Chapter 6 in *DVR User's Manual* on the Software DVD.
 3. It is required to use **Internet Explorer 7** or above to access the Web interface of GV-I/O Box.
-

2.12.1 Fixed IP Connection

To assign GV-I/O Box to a fixed IP:

1. Open an Internet browser, and type the default IP address <https://192.168.0.100>. The login dialog box appears.
2. Type default value **admin** for both Username and Password, and click **OK**. This page appears.



Network Configuration				
Machine Name				
Machine Name	IOBOX-01			
DHCP Client				
	<input type="radio"/> Enable <input checked="" type="radio"/> Disable			
IP Address	192	168	3	87
Subnet Mask	255	255	252	0
Default Gateway	192	168	0	1
Domain Name Server	192	168	0	1
Domain Name Service				

Figure 2-53

3. In the Machine Name field, edit the name of the connected GV-I/O Box.
4. Click **Disable**. Type the static IP address information, including IP Address, Subnet Mask, Default Gateway and Domain Name Server.
5. Click **Submit**. When the setting is complete, the Status field will indicate *Register Success*. Then GV-I/O Box can be accessed with this fixed IP address.

Note: If you like to use the domain name instead of IP address, you may use Domain Name Service as well. For details on domain name service, see [2.12.2 DHCP Connection](#).

2.12.2 DHCP Connection

DDNS (Dynamic Domain Name System) provides another way of accessing GV-I/O Box when using a dynamic IP from a DHCP server. DDNS assigns a domain name to GV-I/O Box so that GV servers can always access GV-I/O Box by using the domain name.

To enable the DDNS function, first you should apply for a domain name from the DDNS service provider's website. There are 2 providers listed in GV-I/O Box: **GeoVision DDNS Server** and **DynDNS.org**. To register at GeoVision DDNS Server, see the following instructions. For details on DynDNS, please consult them at www.dyndns.org.

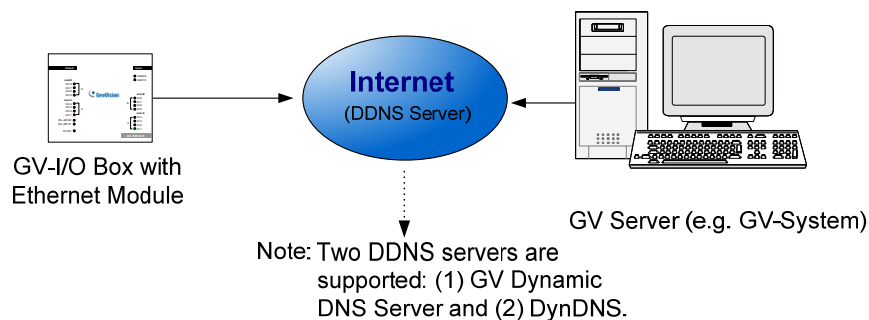


Figure 2-54

2.12.2.1 Registering a DDNS Domain Name

To obtain a domain name from the GeoVision DDNS Server:

1. Click the **GeoVision DDNS** button on the Network Configuration page (Figure 2-53). Or open an Internet browser, and type the Web address <http://ns.dipmap.com/register.aspx>. This page appears.

Figure 2-55

2. In the Username field, type a name. Username can be up to 16 characters with the choices of “a ~ z”, “0 ~9”, and “-”. Note that space or “-” cannot be used as the first character.
3. In the Password field, type a password. Passwords are case-sensitive and must be at least 6 characters. Type the password again in the Re-type Password field for confirmation.
4. In the Word Verification section, type the characters or numbers shown in the box. For example, type *i8UCY* in the required field. Word Verification is not case-sensitive.
5. Click the **Send** button. When the registration is complete, this page will appear. The **Hostname** is the domain name, consisting of the registered username and “dipmap.com”, e.g. somerset01.dipmap.com.

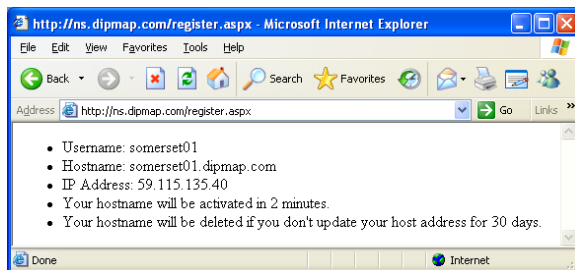


Figure 2-56

Note: The registered username will be invalid when it is not used for one month.

2.12.2.2 Configuring GV-I/O Box on Internet

After acquiring a domain name from the DDNS Server, you need to configure the domain name on GV-I/O Box so that GV servers can access GV-I/O Box by using the domain name on Internet.

1. Follow the Steps 1 to 2 in 2.12.1 *Fixed IP Connection*. The Network Configuration page appears.
2. Click **Enable**, and select **Send to DDNS**.
3. Type **Host Name**, **User Name** and **Password** that are registered on the DDNS Server. If you select GeoVision DDNS, the system will automatically bring up the Host Name.

The screenshot shows the 'Network Configuration' page in the GeoVision web interface. The left sidebar contains a menu with options: Network Setting, Other Setting, Input Setting, Output Setting, In/Out Monitor, Firmware Update, and Account Setting. The main content area is divided into sections: 'Machine Name' (IOBOX-01), 'DHCP Client' (with 'Enable' selected), 'IP Address' (192.168.3.87), 'Subnet Mask' (255.255.252.0), 'Default Gateway' (192.168.0.1), and 'Domain Name Service' (with 'Send to DDNS' selected). The 'Send to DDNS' section includes a dropdown menu set to 'GeoVision DDNS', a 'Device Name' field with 'user', and fields for 'Host Name' (user.dipmap.com), 'User Name', and 'Password'. 'Submit' and 'Cancel' buttons are at the bottom.

Figure 2-57

4. Click **Submit**. When the setting is complete, the Status field will indicate: Register Success. Then GV-I/O Box can be accessed with this domain name.

2.12.3 Other Setting

In the left menu, click **Other Setting**. This page appears.

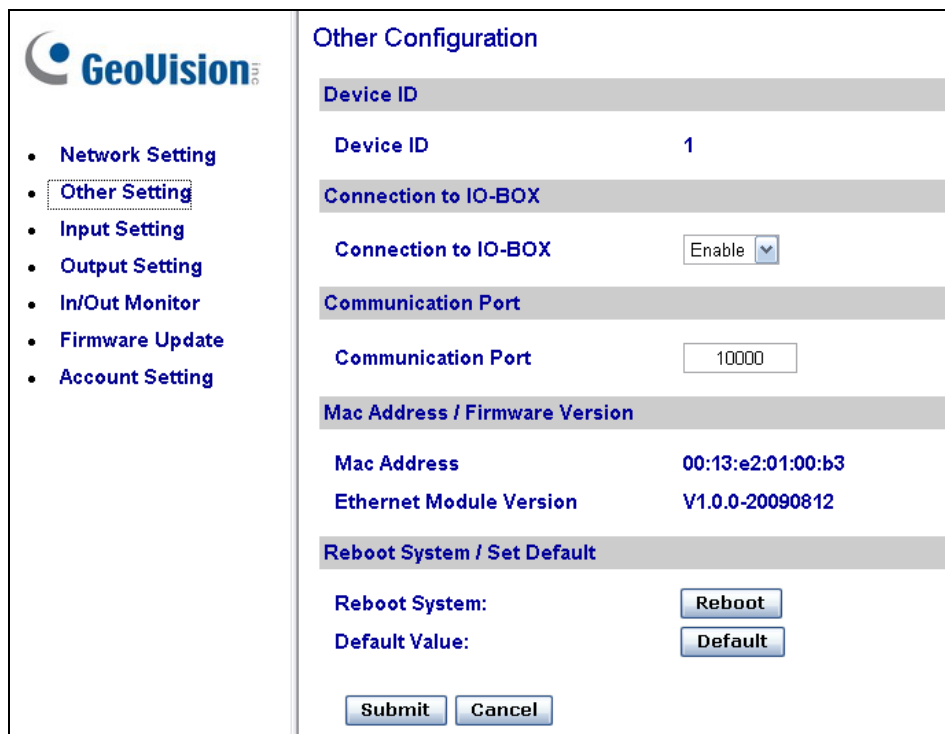


Figure 2-58

[Device ID] Indicates the current ID of the device.

[Connection to IO-BOX] Select **Enable** to use GV-I/O Box through network or select **Disable** to use GV-I/O Box through USB or RS-485 connection. GV-I/O Box cannot support more than one method simultaneously.

[Communication Port] Keeps the default port value **10000**.

[Mac Address/Firmware Version] Indicates the MAC address of the network medium and the Ethernet module version of GV-I/O Box.

[Reboot System/Set Default]

- **Reboot System:** Performs a warm boot of GV-I/O Box. This operation keeps the current configuration.
- **Default Value:** Resets all configuration parameters to their factory settings. This may take 5 seconds to complete.

Note: If you switch the connection from USB or RS-485 to network, first remove the USB or RS-485 cable from GV-I/O Box and then select **Enable** in this setting page; otherwise, the network connection will not function.

2.12.4 Input Setting

In the left menu, click Input Setting. This page appears.

	Enable	Name	Input Mode	Latch Enable	Alarm Output
1	<input checked="" type="checkbox"/>	Input1	1) N/O	<input type="checkbox"/>	None
2	<input checked="" type="checkbox"/>	Input2	1) N/O	<input type="checkbox"/>	None
3	<input checked="" type="checkbox"/>	Input3	1) N/O	<input type="checkbox"/>	None
4	<input checked="" type="checkbox"/>	Input4	1) N/O	<input type="checkbox"/>	None
5	<input checked="" type="checkbox"/>	Input5	1) N/O	<input type="checkbox"/>	None
6	<input checked="" type="checkbox"/>	Input6	1) N/O	<input type="checkbox"/>	None
7	<input checked="" type="checkbox"/>	Input7	1) N/O	<input type="checkbox"/>	None
8	<input checked="" type="checkbox"/>	Input8	1) N/O	<input type="checkbox"/>	None
9	<input checked="" type="checkbox"/>	Input9	1) N/O	<input type="checkbox"/>	None
10	<input checked="" type="checkbox"/>	Input10	1) N/O	<input type="checkbox"/>	None
11	<input checked="" type="checkbox"/>	Input11	1) N/O	<input type="checkbox"/>	None
12	<input checked="" type="checkbox"/>	Input12	1) N/O	<input type="checkbox"/>	None
13	<input checked="" type="checkbox"/>	Input13	1) N/O	<input type="checkbox"/>	None
14	<input checked="" type="checkbox"/>	Input14	1) N/O	<input type="checkbox"/>	None
15	<input checked="" type="checkbox"/>	Input15	1) N/O	<input type="checkbox"/>	None
16	<input checked="" type="checkbox"/>	Input16	1) N/O	<input type="checkbox"/>	None

Submit Cancel

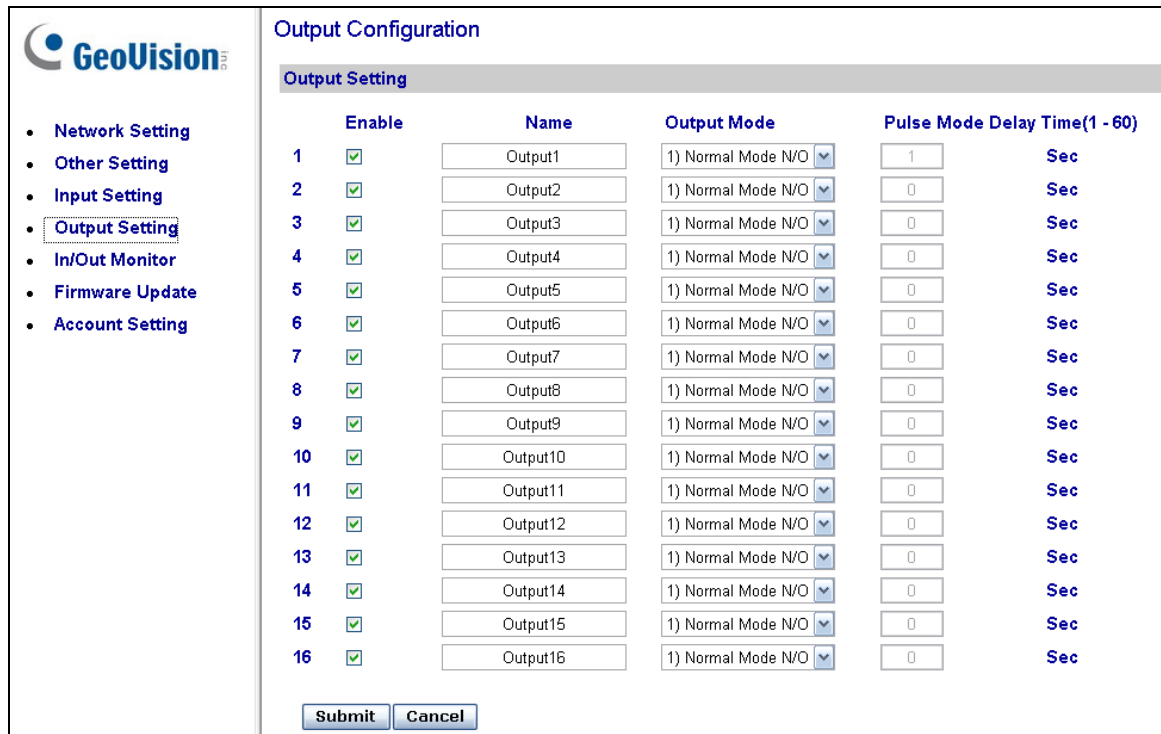
Figure 2-59

- **Enable:** Select to enable this Input function to be used by GV-I/O Box.
- **Name:** Edit the name of the Input.
- **Input Mode:** Configure the input to **NC** (normally closed) or **NO** (normally open) mode.
- **Enable Latch:** Instead of constant output alarm in N/O and N/C, the option provides a momentary alarm when triggered.
- **Alarm Output:** Select **None** for no alarm output, or select between **Output 1** and **Output 16** to trigger when the input is detected.

Click **Submit** button to save the changes, or click **Cancel** button to return the changes to its previous state.

2.12.5 Output Setting

In the left menu, click **Output Setting**. This page appears.



	Enable	Name	Output Mode	Pulse Mode Delay Time(1 - 60)	
1	<input checked="" type="checkbox"/>	Output1	1) Normal Mode N/O	1	Sec
2	<input checked="" type="checkbox"/>	Output2	1) Normal Mode N/O	0	Sec
3	<input checked="" type="checkbox"/>	Output3	1) Normal Mode N/O	0	Sec
4	<input checked="" type="checkbox"/>	Output4	1) Normal Mode N/O	0	Sec
5	<input checked="" type="checkbox"/>	Output5	1) Normal Mode N/O	0	Sec
6	<input checked="" type="checkbox"/>	Output6	1) Normal Mode N/O	0	Sec
7	<input checked="" type="checkbox"/>	Output7	1) Normal Mode N/O	0	Sec
8	<input checked="" type="checkbox"/>	Output8	1) Normal Mode N/O	0	Sec
9	<input checked="" type="checkbox"/>	Output9	1) Normal Mode N/O	0	Sec
10	<input checked="" type="checkbox"/>	Output10	1) Normal Mode N/O	0	Sec
11	<input checked="" type="checkbox"/>	Output11	1) Normal Mode N/O	0	Sec
12	<input checked="" type="checkbox"/>	Output12	1) Normal Mode N/O	0	Sec
13	<input checked="" type="checkbox"/>	Output13	1) Normal Mode N/O	0	Sec
14	<input checked="" type="checkbox"/>	Output14	1) Normal Mode N/O	0	Sec
15	<input checked="" type="checkbox"/>	Output15	1) Normal Mode N/O	0	Sec
16	<input checked="" type="checkbox"/>	Output16	1) Normal Mode N/O	0	Sec

Figure 2-60

- **Enable:** Select to enable this Output function to be used by GV-I/O Box.
- **Name:** Edit the name of the Output.
- **Output Mode:** Configure the input to **NC** (normally closed) or **NO** (normally open) mode.
 - ⊙ **Normal Mode (N/O and N/C):** Output continues to be triggered until the source of the output condition is stopped.
 - ⊙ **Toggle Mode (N/O and N/C):** Output continues to be triggered until a new input trigger ends the output.
 - ⊙ **Pulse Mode (N/O and N/C):** Output is triggered for the amount of time set in the **Pulse Mode Delay Time (1-60)** field.
- **Pulse Mode Delay Time (1-60):** Enter the time in seconds for the pulse delay time between 1 and 60 seconds.

Click **Submit** button to save the changes, or click **Cancel** button to return the changes to its previous state.

2.12.6 In/Out Monitor

In the left menu, click **In/Out Monitor**. This page appears.

GeoVision Inc.

- Network Setting
- Other Setting
- Input Setting
- Output Setting
- **In/Out Monitor**
- Firmware Update
- Account Setting

Status Monitor

Input Status

01	OFF	09	OFF
02	OFF	10	OFF
03	OFF	11	OFF
04	OFF	12	OFF
05	OFF	13	OFF
06	OFF	14	OFF
07	OFF	15	OFF
08	OFF	16	OFF

Output Status

ALL ON

ALL OFF

01	OFF	09	OFF
02	OFF	10	OFF
03	OFF	11	OFF
04	OFF	12	OFF
05	OFF	13	OFF
06	OFF	14	OFF
07	OFF	15	OFF
08	OFF	16	OFF

Figure 2-61

- **Input Status:** Indicates the current status of the 16 inputs, whether it is **On** (triggered) or **OFF** (no input).
- **Output Status:** Indicates the current status of the 16 outputs, whether it is **ON** (triggered) or **Off** (no output). Click **ALL ON** button to force all 16 outputs to be triggered. Click **ALL OFF** button to turn off all 16 outputs. Select the individual outputs to turn it **ON** to force the output to be triggered or turn it **OFF**.

Click **Submit** button to save the changes, or click **Cancel** button to return the changes to its previous state.

2.12.7 Updating Firmware

To update the firmware of GV-I/O Box:

1. In the left menu, click **Firmware Update**. This page appears.

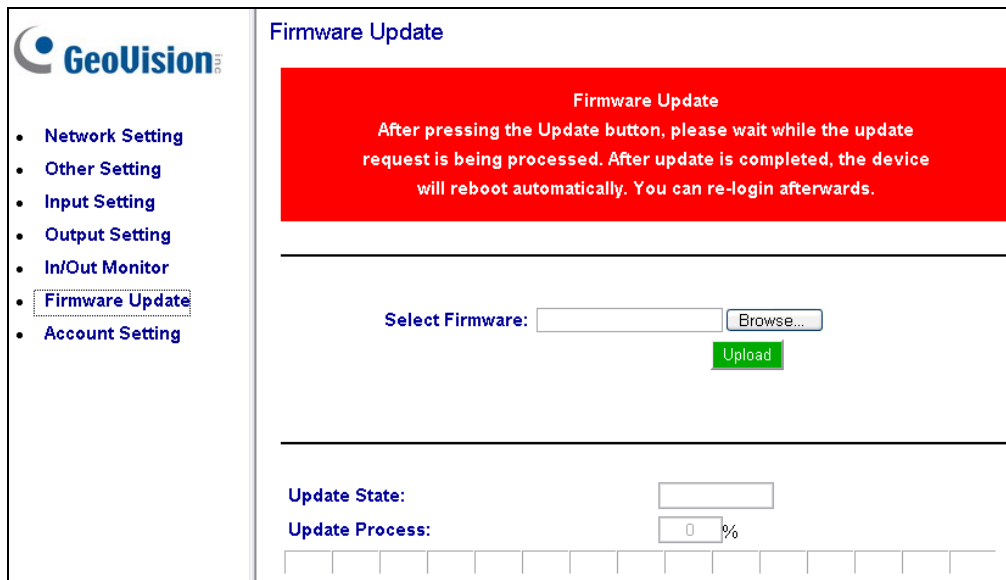


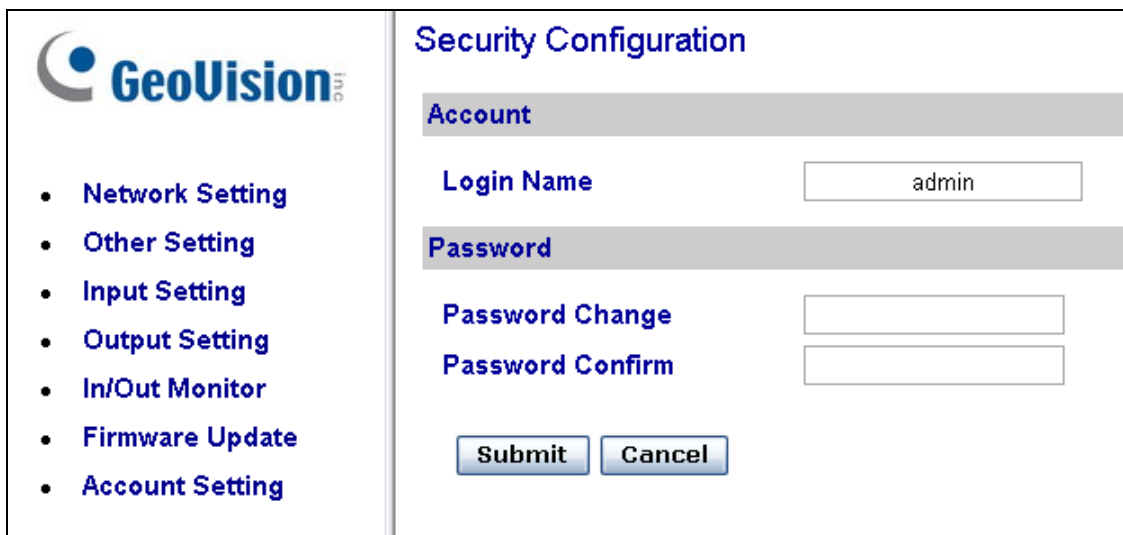
Figure 2-62

2. Click the **Browse...** button to open the firmware file (*.bin)
3. Click the **Upload** button. This update procedure may take 60 seconds to complete.
4. When the Update is complete, a dialog box appears and asks you to reboot the system.
5. Click **OK**. GV-I/O Box starts the Reboot operation.

Note: It is required to reboot GV-I/O Box after updating the firmware. Without rebooting, the firmware update is not complete.

2.12.8 Changing Login ID and Password

In the left menu, click **Account Setting**. This page appears. You can modify the login name and password. The password is case sensitive and is limited to 4 characters with the choices of “a ~ z” and “0 ~ 9”.



The screenshot displays the GeoVision web interface for Security Configuration. On the left is a navigation menu with the following items:

- Network Setting
- Other Setting
- Input Setting
- Output Setting
- In/Out Monitor
- Firmware Update
- Account Setting

The main content area is titled "Security Configuration" and is divided into two sections:

- Account**: Contains a "Login Name" field with the value "admin".
- Password**: Contains "Password Change" and "Password Confirm" fields, both currently empty.

At the bottom of the form are two buttons: "Submit" and "Cancel".

Figure 2-63

2.13 Installing USB Driver

To use the USB function, it is required to install the driver on the PC. Follow these steps to install the driver:

1. Insert the software CD. It will run automatically and pop up a window.
2. Select **Install or Remove GeoVision GV-Series Driver**, and then click **Install GeoVision USB Devices Driver**. This dialog box appears.

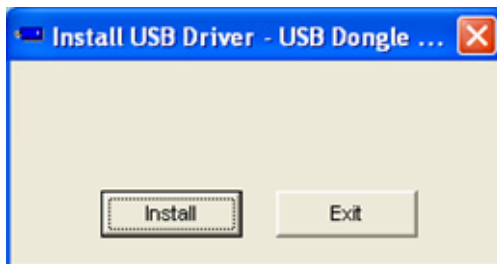


Figure 2-51

3. Click **Install** to install the drivers. When the installation is complete, this message will appear: *Install done!*
4. Click **Exit** to close the dialog box.
5. To verify the drivers are installed correctly, go to **Device Manager**. Expanding the **Ports** field, you should see one entry for Prolific USB-to-Serial Bridge.

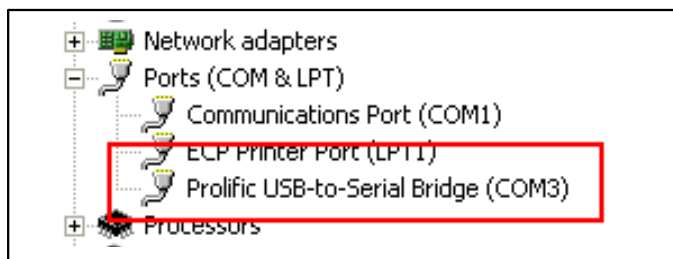


Figure 2-52

Chapter 3 Software Installation

This chapter includes the following information:

- **Important notice**
- **Installing a program**
- **Program list**

3.1 Before You Start

For optimal performance of your system, it is important to follow these recommendations before installing GV-System software:

- It is strongly recommended to use two separate hard disks. One is for installing Windows OS and GV-System software, and the other is for storing recorded files and system logs.
- When formatting the two hard disks, select **NTFS** as the file system.
- GV-System is a multi-channel video recording system. With normal use of the system, the drive containing video files will become fragmented. This is because GV-System constantly stores video files of multi channels simultaneously, and video files will be scattered all over the drive. It is **not necessary** to regularly perform disk defragmentation. Since GV-System software and video files are stored on two separated hard disks, the performance of GV-System will not be affected.

3.2 Installing the System

When you insert the Surveillance System Software CD, the Install Program window will pop up automatically:

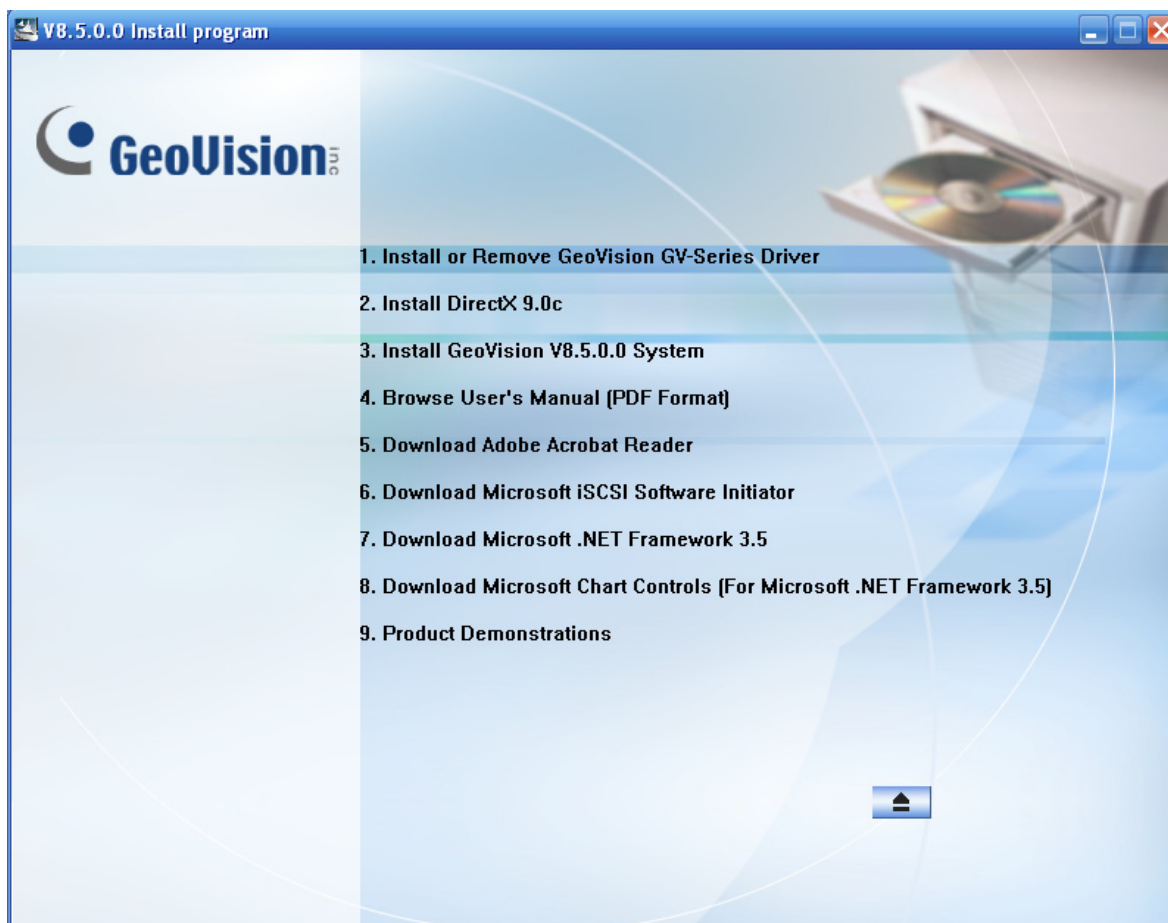


Figure 3-1 The Install Program Window

Before installing the system software, make sure **DirectX 9.0c** is already installed on your computer.

DirectX

If your computer doesn't have the latest version of Direct X, click **Install DirectX 9.0c** in the Install Program window.

Installing the System

To install the GV-System, follow these steps:

1. In the Install Program window, click **Install GeoVision xxx System** (ex. Install GeoVision V8.5 System).
2. To install the Main System, select **GeoVision Main System**, and follow the on-screen instructions.
3. Follow the above steps to install other programs one by one.

Uninstalling the System

To uninstall the GV-System, follow these steps:

1. Close any open programs because your computer will restart during the uninstalling process.
2. On the taskbar, click **Start**, point to **Programs**, select the system folder, and then click **Uninstall GeoVision System**.

Note: Uninstalling the system will not delete video files and log files previously saved in the computer.

3.3 Program List

The Surveillance System Software CD includes the following programs:

First Page:

1. Main System
2. Remote ViewLog
3. Fast Backup and Restore Multicam System
4. GV-IP Device Utility
5. Multi View
6. E-Map Server
7. Remote E-Map
8. Center V2
9. Dynamic DNS Service
10. Mcamctrl Utility (Only for GV-Joystick)



Figure 3-2 First page of program installation

Second page:

11. POS Data Sender (Only for Graphic Mode POS device)
12. POS Text Sender (Only for Windows-Based and Text Mode POS device)
13. Authentication Server
14. SMS Server
15. Audio Broadcast
16. Multicast
17. Twin DVR System
18. Bandwidth Control Client Site
19. Backup Viewer
20. Mobile Server



Figure 3-3 Second page of program installation

Third page:

21. Local DDNS Server
22. GV-AView for Android Smartphone in Android Market
23. GV-iView for iPhone and iPod Touch in iTunes Store
24. GV-iView HD for iPad in iTunes Store
25. GV-Remote View for BlackBerry Smartphone in BlackBerry App World



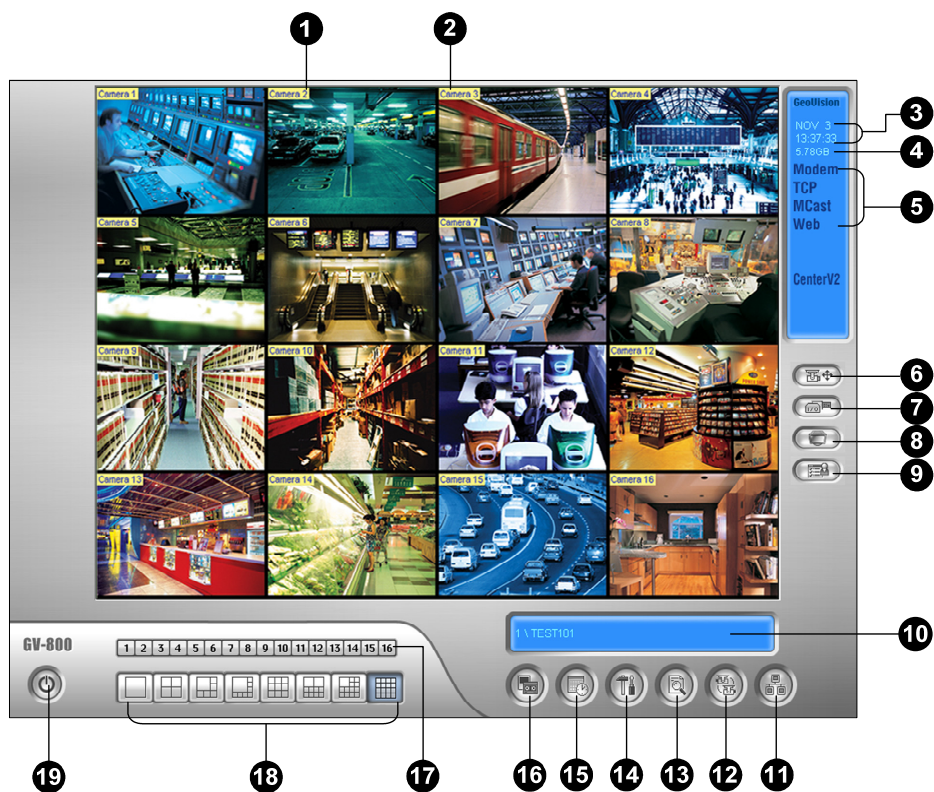
Figure 3-4 Third page of program installation

Chapter 4 Screen Overview

This chapter provides an overview of the major screens:

- **Main System**
- **ViewLog**
- **SingleView Viewer**
- **MultiView Viewer**
- **Center V2**
- **Control Center**

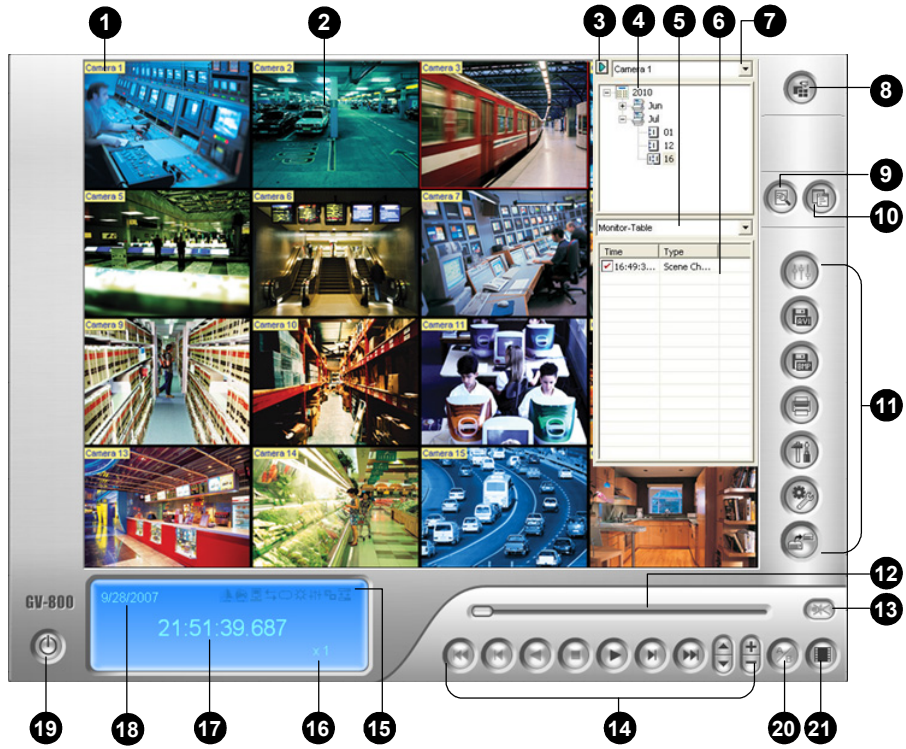
4.1 Main System



The controls in the main screen:

No	Name	Description
1	Camera Number	Indicates the camera number matching the port number in the GV video capture card.
2	Camera Name	Indicates the given camera name.
3	Date/Time	Indicates the current date and time.
4	Storage Space	Indicates the remaining disk space.
5	Connection	Indicates the connection status of remote applications.
6	PTZ Control	Displays the PTZ control panel.
7	I/O Control	Displays the I/O control panel.
8	TV-Out	Displays the TV Quad control panel.
9	User-Defined	Accesses other applications.
10	Location Name	Indicates the GV-System's name, usually named by its geographical location.
11	Network	Enables the connection to remote applications
12	Camera Scan	Rotates through the screen divisions.
13	ViewLog	Brings up these options: Instant Play, Video/Audio Log, System Log, Search POS Data, POS Live View, Live Object Index, Search Object Index, Live Panorama View and E-Map.
14	Configure	Accesses system settings.
15	Schedule	Sets up recording schedules.
16	Monitor	Starts or stops monitoring.
17	Camera Select	Selects the desired camera number for main division view.
18	Screen Division	Selects screen divisions.
19	Exit	Brings up these options: Login/Change User, Logout, Minimize, Restart Multicam and Exit.

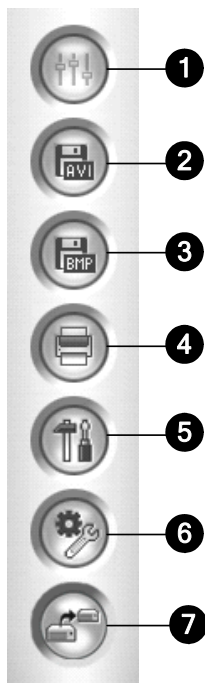
4.2 ViewLog



The controls in the ViewLog window:

No	Name	Description
1	Camera Name	Indicates the given camera name.
2	Camera View	Displays the playback video.
3	Arrow Switch	Switches between list mode and line mode. Sets up MDB filter.
4	Date Tree	Displays date folders.
5	Display Option	Specifies event type to display in List Mode or Line Mode.
6	Video Event List	Displays video events within a certain date folder.
7	Camera Select	Sets a desired camera for display.
8	View Mode	Sets screen divisions: Single View, Panorama View, Quad View or Multi View. Single View also includes these options: Standard,
9	Advanced	Accesses basic search, advanced search and bookmark. Reloads video event list.
10	Normal	Displays or closes Timeline or Video Event List.
11	Function Panel	Provides various settings for ViewLog.
12	Slider	Moves the slider to rewind or forward the video during playback
13	Audio Playback	Enables audio playback.
14	Playback Panel	Contains typical playback control buttons.
15	Function Icons	A highlighted icon indicates an enabled function. From left to right are the A to B Mode, auto playing of next events, the contrast and
16	Playback Speed	Indicates the playback speed. x1 represents normal playback
17	Time Display	Indicates the time of the playback video.
18	Date Display	Indicates the date of the playback video.
19	Exit	Closes or minimizes the ViewLog window.
20	A to B Mode	Plays repeatedly the set frames A to B.
21	Frame by Frame / Real Time	Plays back video frame by frame or on real time.

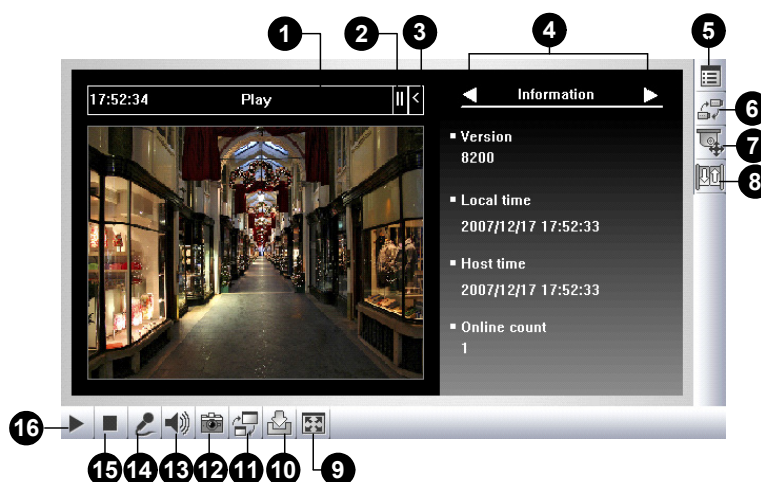
Functional Panel



The controls in the Functional Panel:

No	Name	Description
1	Effects	Adds effects to the images. The effect options include: Contrast/Brightness, Light Enhancement, Equalization, Sharpen, Smooth, Grayscale, Undo to Prev. Action, Undo All Effects, Copy Image to Clipboard, Sample, and Advanced Video Analysis.
2	Save As AVI	Save a video file as avi or exe format.
3	Save As Image	Save a video image as bmp, jpg, gif, png, or tif format.
4	Print	Specifies various settings for printing.
5	Setting	Accesses system settings of ViewLog.
6	Tools	Brings up these options: Object Search, Advanced Log Browser, Delete, Remote ViewLog Service, Remote Storage System, Address Book, Display GIS Window, Select Map API, and Tool Kit.
7	Backup	Backs up video files.

4.3 SingleView Viewer



The controls in the SingleView Viewer:

No	Name	Description
1	Countdown Timer	Indicates the remaining time when you log in as Guest. When the time is up, you will be logged out automatically.
2	Menu	Includes these options: Information, Video, Audio, Preset Go, I/O Control, Alarm Notify, Camera Adjustment, Download and POS/Wiegand.
3	Expand / Close	Expands or closes the Menu option list.
4	Option Selection Bar	Selects the Menu option. For the list of options, see "Menu" above.
5	Show System Menu	Brings up these options: Alarm Notify, Video and Audio Configuration, Remote Config, Change Server, Show Camera Name and Image Enhance.
6	Show Camera Menu	Select the desired camera for display.
7	PTZ Control	Displays the PTZ control panel.
8	I/O Control	Displays the I/O control panel.
9	Full Screen	Switches to full screen view.
10	File Save	Saves live video in the local computer.
11	Change Quality	Adjusts video quality with two options: Geo H264 and Geo MPEG4 . For hardware-compressed or megapixel video stream, you have options of Hardware Streaming JPEG , Hardware Streaming MPEG4 or Hardware Streaming H.264 .
12	Snapshot	Takes a snapshot of the displayed live video.
13	Speaker	Enables live audio from the remote GV-System.
14	Microphone	Enables speaking to the remote GV-System.
15	Stop	Terminates the connection to the remote GV-System.
16	Play	Connects to the remote GV-System.

4.4 MultiView Viewer



The controls in the MultiView Viewer:

No	Name	Description
1	Monitoring Window	Displays live video.
2	Host Window	Displays the connected GV-Systems and their available cameras.
3	Auto Search	Displays all hosts on the same LAN.
4	Show Camera Menu	Select the desired camera for display. If a panorama view is created at the GV-System, it is also included in this menu.
5	PTZ Control	Displays the PTZ control panel.
6	I/O Control	Displays the I/O control panel.
7	Channel Status	Indicates the general information of the selected channel.
8	ViewLog	Accesses Remote ViewLog.
9	Configure	Accesses system settings of the MultiView.
10	Edit Host	Adds, deletes or modifies GV-System.
11	Camera Status	Displays the camera status of the connected GV-System.
12	Host Information	Displays the general information of the connected GV-System.
13	Zoom in and out	Zooms in or out the selected channel.
14	Add/Remove Channel	Adds or deletes the channels for video polling.
15	Next	Goes to the next page of Screen Division buttons.
16	Multicast	Accesses the Multicast function.
17	Full Screen	Switches to a full screen view.
18	Video Polling	Rotates through the selected channels.
19	Screen Division	Sets the screen divisions to 4, 6, 8, 9, 10, 13, 16 or 32.
20	Exit/Minimize	Closes or minimizes the MultiView window.
21	Speaker	Enables speaking to the remote GV-System.
22	Microphone	Enables live audio from the remote GV-System.
23	Play	Establishes the connection to a GV-System.
24	Stop	Terminates the connection to a GV-System.
25	Save	Saves live video.
26	Quality	Changes video resolution.
27	Snapshot	Takes a snapshot of the selected channel.
28	Save Camera to Multiple Host	Saves the selected cameras and creates a Multiple Host.

4.5 Center V2

The screenshot displays the GeoVision Center V2 software interface. It features a 4x6 grid of 24 camera feeds at the top, a system status panel on the right, a control panel with icons at the bottom right, and a log window at the bottom. Numbered callouts (1-21) identify specific UI components:

- 1: Camera 1 feed
- 2: System status panel (Date, Time, Storage)
- 3: System status panel (Refresh icon)
- 4: System tree view
- 5: Control panel (Home icon)
- 6: Control panel (Refresh icon)
- 7: Control panel (Fullscreen icon)
- 8: Control panel (Power icon)
- 9: Log window (Title bar)
- 10: Log window (Message column)
- 11: Log window (Message Time column)
- 12: Log window (Start Time column)
- 13: Log window (Scroll bar)
- 14: Log window (ID column)
- 15: Log window (Type column)
- 16: Log window (Message column)
- 17: Log window (Message Time column)
- 18: Log window (Start Time column)
- 19: Log window (ID column)
- 20: Log window (Type column)
- 21: Log window (Message column)

ID	Type	Message	Message Time	Start Time
1	Motion	Camera1 detected motion	7/6/2004 7:39:33 AM	9/19/2008 10:50:11 AM
1	Attachment	Record file of Camera1. [Live]	7/6/2004 7:39:39 AM	9/19/2008 10:50:11 AM
A	Login/Logout	Login	7/6/2004 7:40:51 AM	
A	System	Start Monitoring All Type Events	7/6/2004 7:40:51 AM	7/6/2004 7:40:51 AM
A	System	Stop I/O Monitoring	7/6/2004 7:40:51 AM	7/6/2004 7:40:51 AM
A	System	Stop all cameras monitoring	7/6/2004 7:40:51 AM	7/6/2004 7:40:51 AM
A	Motion	Camera 2 detected motion	7/6/2004 7:40:51 AM	7/6/2004 7:40:51 AM
A	Attachment	Record file of Camera 2. [Live]	7/6/2004 7:41:18 AM	7/6/2004 7:40:51 AM
1	Motion	Camera1 detected motion	7/6/2004 7:41:27 AM	9/19/2008 10:51:54 AM
1	Attachment	Record file of Camera1. [Live]	7/6/2004 7:41:37 AM	9/19/2008 10:51:54 AM
1	Motion	Camera1 detected motion	7/6/2004 7:41:41 AM	9/19/2008 10:52:08 AM
1	Attachment	Record file of Camera1. [Live]	7/6/2004 7:41:49 AM	9/19/2008 10:52:08 AM
1	Motion	Camera1 detected motion	7/6/2004 7:41:50 AM	9/19/2008 10:52:18 AM
1	Attachment	Record file of Camera1. [Live]	7/6/2004 7:42:02 AM	9/19/2008 10:52:18 AM

The controls in the Center V2 window:

No	Name	Description
1	Monitoring Window	Displays live video.
2	Status Panel	Indicates the date, time, remaining disk space and the total number of online channels versus available channels.
3	Find A Subscriber	Searches for desired ID in the Current Subscriber field.
4	Subscriber List	Displays subscribers' IDs and online status. Blue Icon: Indicates the subscriber is online. Gray Icon: Indicates the subscriber is offline. Alarm Icon: Indicates either motion has been detected or the I/O has been triggered at the subscriber's site.
5	Tools	Accesses Event Log, Event List, audio and microphone control, SMS Server configuration, and short message notification.
6	Host Information	Displays the connection status of subscribers.
7	Accounts	Adds, deletes or modifies subscriber accounts.
8	Preference Settings	Brings up these options: System Configure, Event Log Settings, Notification, Password Setup, E-mail Setup, Customize Alarm Report, SMS Setup, I/O Device, Automatic Failover Support and Version Information.
9	Previous Page	Displays the previous page of camera views.
10	Next Page	Displays the next page of camera views.
11	Refresh Channel	Refreshes the connection status.
12	Split Mode	Sets the screen division. Different resolution provides options of screen divisions for a single monitor and dual monitors.
13	Exit	Closes or minimizes the Center V2 window.
14	Flag	Flags an event for later reference.
15	Clipboard	Displays the Alarm Report dialog box.
16	Clip	Indicates an event coming with an attachment. Double-click the event to open the attached video file.
17	ID	Indicates a subscriber's ID.
18	Event Type	Indicates the event type: Alarm, Attachment, Connection, Login/Logout, Motion, System and Trigger.
19	Message	Indicates associated information for each event type.
20	Message Time	Indicates when Center V2 receives an event.
21	Start Time	Indicates when an event happens at the subscriber's site.

4.6 Control Center Toolbar



The controls on the Control Center Toolbar:

No	Name	Description
1	Host List	Opens the Host List to create and edit DVRs.
2	Group List	Opens the Group List to group cameras from different DVRs.
3	IP Matrix List	Opens the IP Matrix List to display up to 36 Matrix views.
4	Edit	Opens the Edit toolbar to display these buttons: Search Host, Configure, Save, and Delete. The Add Host button only appears after the Host List is opened.
5	Service	Opens the Service toolbar to display these buttons: Remote Control, Remote ViewLog, VMD System, Remote E-Map and I/O Central Panel. The Matrix button only appears after the Group List is opened.

Troubleshooting

GV-System is designed to provide you with trouble-free performance. If it does not appear to be functioning correctly, please make sure all connectors are properly attached and follow these troubleshooting steps:

GV-System has video and/or audio lost.

If your GV-System fails to show video, audio or both, try these steps:

1. Check the video/audio connection.
2. Make sure the video/audio device is turned on.
3. Make sure the video standard in your country matches the setting in GV-System.
4. Switch the cable from the functional channel to the non-functional channel, and vice versa. If the previously non-functional channel is now able to deliver video/audio, you should check the video/audio device itself and its related cables.

The screen image appears distorted or jitters.

If the screen image seems to be distorted, jitter, or not to look right, try these steps:

1. Make sure the video standard in your country matches the setting in GV-System.
2. Make sure the camera and its cable are not damaged or frayed. Try to replace a camera or cable to see if this fixes the problem.

Messages “Can’t find keypro” and “Card Setup Fail” appear when GV-System starts.

1. Verify the video capture card driver. See *1.7 Installing Drivers*.
2. Insert the video capture card to a different PCI slot to see if this fixes the problem.
3. If you are using the video capture card V1, attach an appropriate Keypro to the PC’s parallel port and run **Dos2kreg.exe** from the GV-System folder.
4. If using GV-600, GV-650 or GV-650 and running the version between 7.0 and 7.0.5.0, you may need an appropriate USB dongle.
5. If running the version of 8.0 or later and using GV-600A, GV-650A, GV-800A, GV-1120A, GV-1240A or GV-1480A, you may follow Steps 1 and 2 to fix the problem.

A message “Can’t find new xxx Module:1, Address:1, in Com1” appears.

1. Check the RS-485 or USB connection between the GV-System and the GV I/O device.
2. Check whether the power adapter is properly attached to the GV I/O device.
3. Check whether the Port and Address settings on the I/O Devices tab in the System Configure dialog box are correct.

A message “No PTZ Device Installed” or “Default PTZ Device not Activate” appears.

1. Make sure the **Activate** option is enabled in Main System. See Step 4, “PTZ Control Panel”, Chapter 1, *DVR User’s Manual* on the Surveillance System Software CD.
2. If multiple PTZ cameras are installed, make sure to activate each PTZ camera individually.

How can I find more help?

1. Visit our website at http://www.geovision.com.tw/english/4_1.asp
2. Write us at support@geovision.com.tw

