

TW4004AR Four-Channel Video Receiver

ACTIVE VIDEO TRANSMISSION OVER UNSHIELDED TWISTED PAIR

Product Features

- Full Motion Color or Black-White Video up to 4,000 Feet (1,219 m)
- Compatible with All Pelco Twisted Pair Equipped Cameras, Enclosures, and Domes
- Built-In Surge Suppression
- Easy Termination with RJ-45 UTP Connector
- Supports NTSC, PAL, EIA, and CCIR Composite
- Push-Button Configuration for Quick, Easy Setup



The **TW4004AR** is a 4-channel active receiver that can receive live video over unshield twisted pair (UTP) cable. The **TW4004AR** receives full motion color or black-white video up to 3,000 ft (900 m) using Cat5 or 4,000 ft (1,200 m) using Cat5e or Cat6 UTP cable.

The **TW4004AR** front panel controls and indicators make the unit quick and easy to configure and use. The unit provides a rotary switch and an LED indicator for each channel, DIP switches for video gain settings, and push button and LED indicators for configuring the unit. Use the configuration button and LED indicators to determine the correct rotary switch position depending on UTP cable distance: 1,000 ft (300 m); 2,000 ft (600 m); 3,000 ft (900 m); or 4,000 ft (1,200 m). Front panel LEDs indicate the video status of each channel. The Pelco badge indicates power and the environmental alarm conditions of each unit.

The **TW4004AR** allows for multiple applications. You can connect it to transmitters, such as the TW4001P passive transceiver and the TW3001AT active transmitter, and to UTP-supported cameras. You can also connect the receiver to a matrix switcher, such as the CM6800. Although you can connect these products using Cat5 UTP cable, Cat5e and Cat6 UTP cables are recommended for the best video performance.

The receiver can be mounted using the RK5100PS-5U rack mount or the WM5001-4U wall mount base kit. Each receiver also has four rubber feet allowing for placement on a flat surface, such as a desktop or a shelf.



TECHNICAL SPECIFICATIONS

MODEL

TW4004AR Active, 4-channel video receiver

GENERAL

Construction Galvanized steel chassis
 Finish Silver
 Operating Temperature
 Desktop/Wall Mounted 32° to 95°F (0° to 35°C) at unit air intake
 Rack Mounted 32° to 104°F (0° to 40°C) at unit air intake
 Relative Humidity 0 to 90%, noncondensing
 Dimensions 8.31" D x 6.56" W x 1.08" H
 (21.11 x 16.66 x 2.75 cm)
 Unit Weight 1.75 lb (0.77 kg)
 Shipping Weight 4 lb (1.81 kg)

FRONT PANEL INDICATORS/FUNCTIONS

Power and Alarm 1; blue (Pelco badge)
 Video Status 4; green, red, orange
 Rotary Switch 4; green, red, orange

VIDEO CHARACTERISTICS

Video Standards NTSC/PAL/EIA/CCIR composite
 Video Output 4 BNC
 Frequency Response 50 Hz to 6 MHz
 Common Mode/Differential
 Mode Rejection >60 dB
 Video Output 1.2 Vp-p

ELECTRICAL

Input Voltage 12 VDC
 Input Current 0.5 A
 Power Consumption 6 W
 Wire Type UTP (24 AWG minimum)
 Wire Category Cat5 or better
 Wire Distance
 Cat 5 3,000 ft (914 m)
 Cat 5e and Cat 6 4,000 ft (1,219 m)
 DC Loop Resistance 20 ohms per 328 ft (100 m)
 Differential Capacitance 6.6 nF/328 ft (100 m) maximum
 Transient Immunity 300 W peak pulse power (8/20 US)
 Single Wire (solid) 24 AWG (0.25 mm²)
 Stranded Wire (flexible) 24 AWG (1.0 mm²)

MECHANICAL

Connectors
 BNC Video output
 RJ-45 UTP input
 2-Pin Power
 4-Pin Rack power

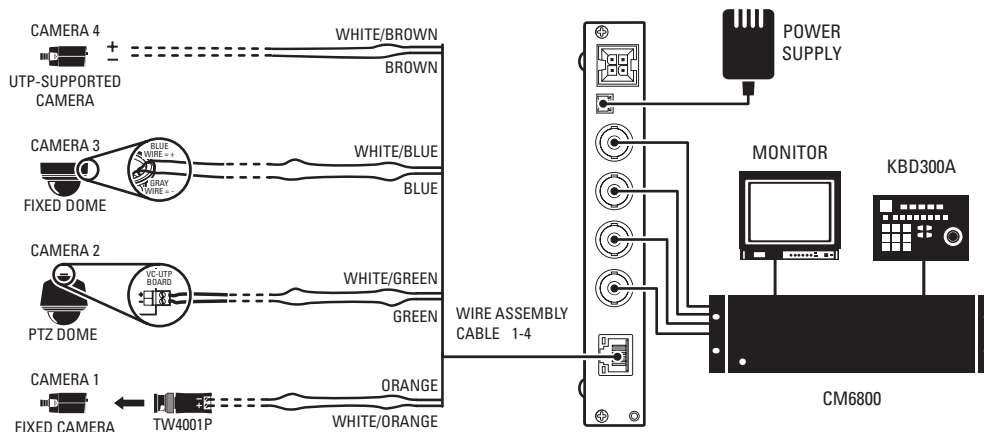
CERTIFICATIONS

- CE, Class B*
- FCC, Class B*
- UL/cUL Listed*
- C-Tick*

*As of the date of this publication, these certifications are pending. Please consult the factory, our Web site at www.pelco.com, or the most recent B.O.S.S.® update for the current status of certifications.

OPTIONAL ACCESSORIES

RK5100PS-5U Rack mount
 RK5001B-4U Single-width blank module
 EPS5000-300 External rack mountable power supply; dual 300 W power supplies
 WM5001-4U Wall mount base kit without power supply
 WM5001-4UEXP Wall mount expansion kit



IMPORTANT NOTE: PLEASE READ.

The network implementation is shown as a general representation only and is not intended to show a detailed network topology. Your actual network will differ, requiring changes or perhaps additional network equipment to accommodate the system as illustrated. Please contact your local Pelco Representative to discuss your specific requirements.

Pelco, Inc. Worldwide Headquarters:

3500 Pelco Way, Clovis, California 93612-5699 USA

USA & Canada Tel: (800) 289-9100 • FAX: (800) 289-9150

International Tel: +1 (559) 292-1981 • FAX: +1 (559) 348-1120

www.pelco.com

Pelco and the Pelco logo are registered trademarks of Pelco, Inc. All product names and services identified throughout this document are trademarks or registered trademarks of their respective companies. The absence of a trademark or registered trademark from this document does not constitute a waiver of intellectual property rights. Product specifications and availability subject to change without notice. ©Copyright 2009, Pelco, Inc. All rights reserved.