

SSC-N13A

Analog Color Mini Dome Camera

SONY
make.believe

650 TV Line Compact Security Camera with High Sensitivity

- Horizontal resolution of up to 650 TV lines
- High sensitivity 0.4 lx (F2.0, 50 IRE, Color)
- Fixed focal lens (3.0 mm)
- Compact design

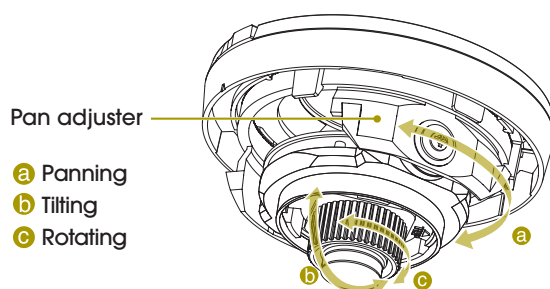


KEY FEATURES

- High resolution (650 horizontal TV lines) and high sensitivity 0.4 lx (F2.0, 50 IRE, Color) achieved by a 1/3-type EXview HAD CCD II™ sensor and Sony's new digital signal processor, Effio-E™.

EXview HAD CCD II™

- Easy and flexible camera angle adjustment achieved by a new three-hinge structure.



- Electrical Day/Night function to switch to Day or Night mode depending on the light level.
- Low power consumption: 0.9 W (Max.).

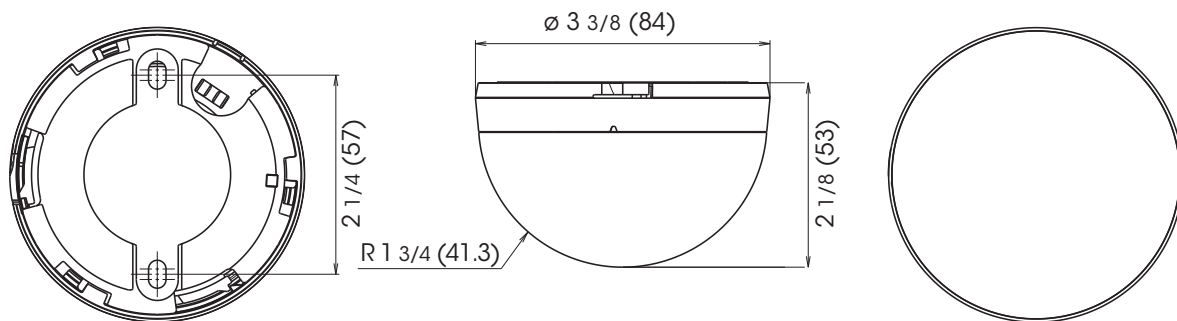
- ATR-Lite (Adaptive Tone Reproduction Lite) to compensate for gradation of subjects to an optimum level.
- iBLC to compensate for exposure levels in dark scenes to help improve subject visibility.
- ATW (Automatic Tracing White) balance which automatically adjusts the camera's white balance to adapt to sudden changes in lighting conditions.
- 2D noise reduction employed.
- Custom template supplied.

SPECIFICATIONS

	SSC-N13A
Camera	
Image device	1/3-type "EXview HAD CCD II"
Number of effective pixels (H x V)	480,000 pixels (976 x 494)
Signal system	NTSC standard
Horizontal resolution	650 TV lines
S/N ratio	More than 55 dB (AGC Off)
Minimum illumination	Color: 0.4 lx, B/W: 0.25 lx (F2.0, 50IRE); Color: 0.2 lx, B/W: 0.08 lx (F2.0, 30IRE)
Shutter Speed	Auto
Video output	VBS: 1.0Vp-p
Synchronization	Internal lock
Gain control	Auto (on/off)
White balance	ATW (2000K to 10000K)
Lens type	Mono-focal lens
Zoom ratio	Fixed
Horizontal viewing angle	95.9 degree
Focal length	f=3.0 mm
F number	F2.0
Minimum object distance	400 mm
Iris	Fixed
Panning range	340 degree
Tilting range	±45.3 degree
Swivel rotation	340 degree
Camera Features	
Day/Night	Yes (Electrical D/N)
Noise reduction	Yes (2D NR)
Back light compensation	Yes (iBLC)
Automatic tone reproduction	Yes (ATR-Lite)
General	
Weight	4.4 oz (125 g)
Dimensions	ø 3 3/8 inches x 2 1/8 inches (ø 84 mm x 53 mm)
Power requirement	DC12 V ±10%
Power consumption	Max. 0.9 W
Operating temperature	14 °F to 122 °F (-10 °C to +50 °C)
Storage temperature	-40 °F to 140 °F (-40 °C to +60 °C)
Operating humidity	20 % to 80 %
Storage humidity	20 % to 95 %
Supplied accessories	Operating instructions x 1

DIMENSIONS

Unit: inches (mm)



© 2011 Sony Electronics Inc. All rights reserved.
 Reproduction in whole or in part without written permission is prohibited.
 Features and specifications are subject to change without notice.
 Weights and measurements are approximate.
 Sony, the Sony logo, the Sony make.believe logo, Effio-E and
 Exview HAD CCD II are trademarks of Sony.
 All other trademarks are the property of their respective owners.