



# Legacy<sup>®</sup> Series Integrated Positioning System

## MEDIUM DUTY, INDOOR/OUTDOOR, COAXITRON<sup>®</sup> COMPATIBLE

### Product Features

- Indoor/Outdoor Operation
- RediLINK<sup>®</sup> Quick-Connect Feature
- Delrin<sup>®</sup> Worm Gear Drives
- Optional Preset Positioning and 360° Pan Rotation
- Gold-Plated Pin Connectors Ensure Reliable Contact
- Prewired, Internal Feedthrough
- Easily Removed Clamshell Covers
- Bottom-opening Wall Mount Houses Integral Receiver
- Receiver Offers Adjustable Lens Voltages, Selectable Camera Voltages NTSC or PAL Video, Transient Suppression Circuit Protection, and Auto/Random Scan as Standard Features



**LEGACY PT780 PAN/TILT AND EH4718L ENCLOSURE**

The **Legacy<sup>®</sup> Series** is an innovative system of “building block” components designed to simplify installation and system design. System components include an enclosure, pan/tilt, receiver, and wall mount.

The mechanical and electrical components of the **Legacy Series** feature RediLINK<sup>®</sup> quick-connectors making assembly fast and effortless. It's so easy, the basic system can be assembled in a matter of minutes.

Select the **Legacy** model pan/tilt and enclosure to create the basic system. Then, select an appropriate receiver and mount to complete the system package. Models are available with optional heater, defroster, blower, thermal insulation, and sun shroud.

The **Legacy Series** pan/tilt is capable of handling loads up to 52 pounds (23.6 kilograms) and features gold-plated electrical pin connectors to ensure reliable contact and smooth operation. The pan/tilt also features a Delrin<sup>®</sup> worm gear that requires no lubrication, is corrosion-resistant, and ensures long life. Limit stops are internally adjustable. Available in fixed or variable speed models, options for the pan/tilt include preset positioning, heater blanket, and 360-degree pan positioning. The pan/tilt is prewired for internal feedthrough for all enclosure and camera functions.

The **Legacy** enclosure features a rear-opening, front-hinged lid with gas strut, adjustable camera sled, tilt table, blower, and heater. Enclosure options include defroster, thermal insulation, and sun shroud.

The receivers in the **Legacy Series** have a simple three-wire power connection with on/off switch that supplies power to the entire system. Choose from fixed or variable speed models, with or without presets, for 120/24/230 VAC applications. All models are compatible with Coaxitron<sup>®</sup> control systems and Pelco RS-422 control systems utilizing D or P type protocols.

The **Legacy** wall mount is constructed from aluminum and meets NEMA Type 4 standards. The mount opens from the bottom for easy access and installation of the **Legacy Series** receiver. The mount can also be used for pole, corner, and parapet applications when used with the appropriate adapter.

An optional infrared illuminator is available for nighttime viewing.



# TECHNICAL SPECIFICATIONS

## Pan/Tilt

### MECHANICAL

|                       |  |
|-----------------------|--|
| Pan Rotation          | Movement in horizontal plane:<br>0-355°<br>0-360° (SL models only)   |
| Pan Speed             | VS models only 1-17°/sec ±1° (maximum load condition)<br>All others 9°/sec ±1°   |
| Tilt Rotation         | 90° down from horizontal; 60° up from horizontal   |
| Tilt Speed            | VS models only 1-4°/sec ±0.5° (maximum load condition)<br>All others 3°/sec ±0.5°  |
| Torque Output         | VS models only 18.3 ft-lbs (24.8 N•m) at rated voltage and 75°F (23°C)<br>All others 23.8 ft-lbs (32.3 N•m) at rated voltage and 75°F (23°C) |
| Maximum Load          | VS models only 40 lbs (18.14 kg) at specified torque<br>All others 52 lbs (23.55 kg) at specified torque                                     |
| Pan/Tilt Drive System | Delrin® worm gear; ground and polished stainless steel worm  |
| Pan/Tilt Bearings     | Roller thrust bearings and bronze Oilite bushings  |
| Lubricants            |  |
| Bearings              | NLGI #2; lithium complex grease fortified with molybdenum  |
| Chain                 | Teflon chain lubricant, such as Tri-Flow   |
| Braking               | Friction   |

### ELECTRICAL

|                                 |   |                |                  |
|---------------------------------|---|----------------|------------------|
| Input Voltage                   | 120 VAC or 24 VAC, 50/60 Hz   |                |                  |
| 12 VDC (VS models)              |   |                |                  |
| VA Required                     | (At specified input voltage)  |                |                  |
|                                 | <u>120 VAC</u>  | <u>24 VAC</u>  | <u>12 VDC</u>    |
| Pan                             | 19.2 VA (0.16A)   | 21.6 VA (0.9A) | 17.04 VA (1.42A) |
| Tilt                            | 32.4 VA (0.27A)   | 24 VA (1A)     | 12.48 VA (1.04A) |
| Total                           | 51.6 VA (0.43A)   | 45.6 VA (1.9A) | 29.52 VA (2.46A) |
| Maximum Current                 | 2 amps per conductor (SL models only)   |                |                  |
| Connectors                      | Amp CPC type, mate supplied (37 pins)   |                |                  |
| Motor Type                      |   |                |                  |
| VS models only                  | 12 VDC continuous duty. DC permanent magnet   |                |                  |
| All others                      | Single phase, instantaneous reversing, induction type. 120 VAC or 24 VAC, 50/60 Hz, impedance protected. 50% duty cycle; 30 minute rating |                |                  |
| Limit Switches                  | 5 amp, 250 VAC maximum; internal adjustment   |                |                  |
| Pan/Tilt Conductor Requirements |   |                |                  |
| Standard model                  | 20 unshielded, plus video & camera sync coax*   |                |                  |
| Standard with /PP               | 27 unshielded, plus video & camera sync coax*   |                |                  |
| Standard with /SL               | 14 unshielded, plus video & camera sync coax*   |                |                  |
| Standard with SL/PP             | 20 unshielded, plus video & camera sync coax*   |                |                  |

\*Including safety ground

**Note:** Two additional conductors may be required with /HB option.

#### Note:

Presets are a function of the receiver. Each pan/tilt with preset option is capable of 32 presets (first 8 are alarming) when used with a Coaxitron matrix control and compatible preset receiver.

### Cable Distances\*\*

|                               | <u>6 Conductors</u> | <u>7 Conductors***</u> |
|-------------------------------|---------------------|------------------------|
| <b>PT780P Series</b>          |                     |                        |
| 20 AWG (0.5 mm <sup>2</sup> ) | 1,370 ft (417 m)    | 2,745 ft (836 m)       |
| 18 AWG (1.0 mm <sup>2</sup> ) | 2,180 ft (664 m)    | 4,370 ft (1,331 m)     |
| 16 AWG (1.5 mm <sup>2</sup> ) | 3,470 ft (1,057 m)  | 6,940 ft (2,115 m)     |
| <b>PT780-24P Series</b>       |                     |                        |
| 20 AWG (0.5 mm <sup>2</sup> ) | 59 ft (17.98 m)     | 118 ft (35.96 m)       |
| 18 AWG (1.0 mm <sup>2</sup> ) | 94 ft (28.65 m)     | 188 ft (57.30 m)       |
| 16 AWG (1.5 mm <sup>2</sup> ) | 149 ft (45.41 m)    | 298 ft (90.83 m)       |
| <b>PT780-VS Series</b>        | <u>5 Conductors</u> |                        |
| 20 AWG (0.5 mm <sup>2</sup> ) | 24 ft (7.3 m)       |                        |
| 18 AWG (1.0 mm <sup>2</sup> ) | 38 ft (11.58 m)     |                        |
| 16 AWG (1.5 mm <sup>2</sup> ) | 60 ft (18.28 m)     |                        |

\*\*Cable distances are based on:

- 26.4 volts AC output voltage from controller (24 VAC models) or 132 volts AC output voltage from controller (120 VAC models) or 12 VDC output voltage from controller (12 VDC models), and
- 10% cable loss with both motors (pan/tilt) running simultaneously.

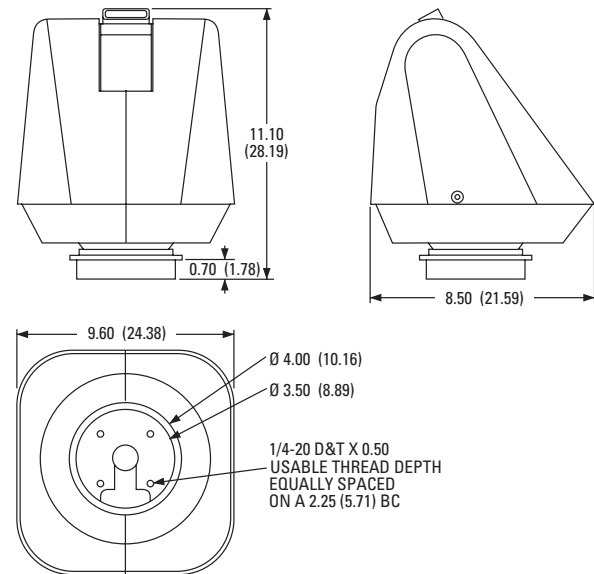
\*\*\*Using 2-wire motor common

### GENERAL

|                     |  |
|---------------------|--|
| Construction        |  |
| Pan/Tilt            | Aluminum exterior; painted steel and aluminum interior parts |
| Worm Gear           | Delrin, premium performance acetal                           |
| Worm                | Ground and polished stainless steel                          |
| Environment         | Indoor/outdoor   |
| Ambient Temperature | -10°F to 140°F (-23°C to 60°C)                               |
| Weight              | 21.5 lb (9.7 kg) approximate                                 |
| Shipping Weight     | 25 lb (11.3 kg) approximate                                  |

### CERTIFICATIONS/RATINGS (Pan/Tilt Only)

- CE, Class B
- Meets NEMA Type 3R and IP54 standards



NOTE: VALUES IN PARENTHESES ARE CENTIMETERS; ALL OTHERS ARE INCHES.

LEGACY PT780 SERIES PAN/TILT

# TECHNICAL SPECIFICATIONS

## Enclosure

### MECHANICAL

Camera Mounting Removable camera sled; can be inverted to accommodate various cameras and lenses

Latches Link-lock No. 3, stainless steel. EH4700L Series (1); EH5723L Series (2). Latches can be secured with padlock of suitable size (not supplied)

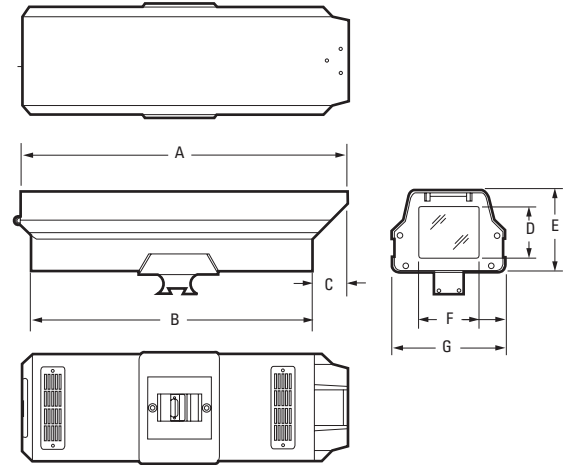
### ELECTRICAL

Input Voltage 24, 120, or 230 VAC, 50/60Hz

Electrical Connection Connectors for input power, camera, lens and accessories  
BNC for video  
BNC for camera synchronization  
26-pin RediLINK D-type connector (links enclosure to pan/tilt)

| Power Consumption  | EH4700L  | EH5723L  |
|--------------------|----------|----------|
| Heater (-1 models) | 60 watts | 90 watts |
| Heater (-2 models) | 50 watts | 50 watts |
| Heater (-3 models) | 55 watts | 70 watts |
| Defroster          | 15 watts | 30 watts |
| Blower (-1 models) | 8 watts  | 15 watts |
| Blower (-2 models) | 8 watts  | 10 watts |
| Blower (-2 models) | 8 watts  | 15 watts |

Heater/defroster activates on at 42-58°F (6-14°C) and off at 72-88°F (22-31°C). Blower activates on at 77-93°F (25-34°C) and off at 62-78°F (17-26°C)



|   | EH4718L       | EH4722L       | EH5723L       |
|---|---------------|---------------|---------------|
| A | 21.20 (53.84) | 25.20 (64.00) | 26.50 (67.31) |
| B | 18.30 (46.48) | 22.30 (56.64) | 23.00 (58.42) |
| C | 2.25 (5.72)   | 2.25 (5.72)   | 3.06 (9.15)   |
| D | 3.50 (8.89)   | 3.50 (8.89)   | 4.25 (10.79)  |
| E | 6.70 (17.02)  | 6.70 (17.02)  | 8.09 (20.54)  |
| F | 4.00 (10.16)  | 4.00 (10.16)  | 5.25 (13.34)  |
| G | 7.25 (18.42)  | 7.25 (18.42)  | 8.98 (22.80)  |

NOTE: VALUES IN PARENTHESES ARE CENTIMETERS; ALL OTHERS ARE INCHES.

### GENERAL

Maximum Camera and Lens Size Accepts camera and lens combinations\* (including BNC connector) up to:

EH4718L-1/-2/-3 13.00" L x 4.75" W x 4.25" H (33.02 cm x 12.07 cm x 10.80 cm)

EH4722L-1/-2/-3 17.00" L x 4.75" W x 4.25" H (43.18 cm x 12.07 cm x 10.80 cm)

EH5723L-1/-2/-3 15.5" L x 6.25" W x 5.5" H (39.37 cm x 15.88 cm x 13.97 cm)

Viewing Window Glass, 0.25-inch (6.35 mm) thick

Viewing Window Area  
EH4700L Series 3.50" H x 4.00" W (8.89 cm x 10.16 cm)  
EH5723L 4.25" H x 5.25" W (10.79 cm x 13.34 cm)

Construction Die-cast, extruded, and sheet aluminum

Finish Gray polyester power coat

Environment Indoor/outdoor (-10° to 120°F)

Unit Weight  
EH4718L-1/-2/-3 8.5 lb (3.8 kg)  
EH4722L-1/-2/-3 9.75 lb (4.4 kg)  
EH5723L-1,-2,-3 14 lb (6.4 kg)

Shipping Weight  
EH4718L-1/-2/-3 12 lb (5.4 kg)  
EH4722L-1/-2/-3 13 lb (5.9 kg)  
EH5723L-1,-2,-3 16 lb (7.3 kg)

\*Assumes lens is fully extended.

### LEGACY® SERIES ENCLOSURE

### CERTIFICATIONS/RATINGS (Enclosure Only)

- CE, Class B (EH4718L-2, EH4718L-3, EH4722L-2, EH4722L-3, EH5723L-2 and EH5723L-2-3)
- Meets NEMA Type 3R standards (4 when vent cover plates are used)
- Meets IP66 standards (with vent cover plates installed)

# MODEL NUMBERS

## MODELS

### ENCLOSURES

|           |   |
|-----------|---|
| EH4718L-1 | Legacy environmental enclosure, 18-inch (45.72 cm) lower body length, 120 VAC heater and blower |
| EH4718L-2 | Same as EH4718L-1 except supplied with 24 VAC heater and blower                                 |
| EH4718L-3 | Same as EH4718L-1 except supplied with 230 VAC heater and blower                                |
| EH4722L-1 | Legacy environmental enclosure, 22-inch (55.88 cm) lower body length, 120 VAC heater and blower |
| EH4722L-2 | Same as EH4722L-1 except supplied with 24 VAC heater and blower                                 |
| EH4722L-3 | Same as EH4722L-1 except supplied with 230 VAC heater and blower                                |
| EH5723L-1 | Legacy environmental enclosure, 23-inch (58.42 cm) lower body length, 120 VAC heater and blower |
| EH5723L-2 | Same as EH5723L-1 except 24 VAC heater and blower   |
| EH5723L-3 | Same as EH5723L-1 except 230 VAC heater and blower  |

### PAN/TILTS

|               |   |
|---------------|---|
| PT780P        | Medium duty, indoor/outdoor pan/tilt with RediLINK connector, 120 VAC |
| PT780P/PP     | Same as PT780P except with presets                                    |
| PT780SL       | Same as PT780P except unit is capable of 360° pan rotation            |
| PT780SL/PP    | Same as PT780SL except with presets                                   |
| PT780-VS      | Medium duty, indoor/outdoor vari-speed pan/tilt, 12 VDC               |
| PT780-VS/PP   | Same as PT780-VS except with presets                                  |
| PT780-VSSL    | Same as PT780-VS except 360° pan rotation                             |
| PT780-VSSL/PP | Same as PT780-VSSL except with presets                                |
| PT780-24P     | Medium duty, indoor/outdoor pan/tilt with RediLINK connector, 24 VAC  |
| PT780-24P/PP  | Same as PT780-24P except with presets                                 |
| PT780-24SL    | Same as PT780-24P except unit is capable of 360° pan rotation         |
| PT780-24SL/PP | Same as PT780-24SL except with presets                                |

Note: Legacy systems (enclosure, pan/tilt, receiver, mount, camera and lens) are available. Consult the factory for available configurations.

## OPTIONAL ACCESSORIES

### ENCLOSURE

|            |   |
|------------|---|
| O/I-LPP    | Preset position lens wiring harness               |
| O/I-OUTLET | 120 VAC electrical outlet                         |
| SS4718     | Sun shroud for EH4718L Series                     |
| SS4722     | Sun shroud for EH4722L Series                     |
| SS5723     | Sun shroud for EH5723L Series                     |
| TI47       | Thermal insulation for EH4700L Series             |
| TI57       | Thermal insulation for EH5723L Series             |
| WD47-1     | Window defroster for EH4700L Series, 120 VAC, 15W |
| WD47-2     | Window defroster for EH4700L Series, 24 VAC, 15W  |
| WD47-3     | Window defroster for EH4700L Series, 230 VAC, 15W |
| WD57-1     | Window defroster for EH5723L Series, 120 VAC, 30W |
| WD57-2     | Window defroster for EH5723L Series, 24 VAC, 30W  |
| WD57-3     | Window defroster for EH5723L Series, 230 VAC, 30W |

### PAN/TILT

|      |   |
|------|---|
| HB1* | Heater blanket, 120 VAC, 40W (0.33 amp). Allows operation to -50°F (-45°C). Thermostatically controlled; activates on at 40°F (4°C) and off at 60°F (15°C). |
| HB2* | Same as HB1 except 24 VAC, 40W (1.7 amps)   |
| HB3* | Same as HB1 except 230 VAC, 40W (0.17 amp)  |

\*Factory installed options only. Please consult factory.

## LEGACY RECEIVERS

|                 |   |
|-----------------|---|
| LRD41A11 Series | Fixed speed, Coaxitron receiver for use with LWM41 wall mount. 120/24/230 VAC                                       |
| LRD41C21 Series | Fixed speed, Coaxitron/RS-422 receiver with presets for use with LWM41 wall mount. 120/24/230 VAC                   |
| LRD41C22 Series | Variable speed, Coaxitron/RS-422 receiver with presets for use with LWM41 wall mount. 120/24/230 VAC                |
| LRD41C-CONNKIT  | Connector kit for LRD41C21/LRD41C22 Series receiver. Required to enable the Aux/Alarm capabilities of the receiver. |
| LRD41TLC        | Receiver plug-in testing module   |

## RECOMMENDED MOUNTS

|                |  |
|----------------|--|
| LWM41          | Wall mount; use with/without optional integral Legacy receiver |
| PM2000, PM2010 | Ceiling/pedestal mount   |
| CM400          | Corner adapter for LWM41 wall mount                            |
| PA2000         | Pan/tilt adapter for PM2000/PM2010 mounts                      |
| PA402          | Pole adapter for LWM41 wall mount                              |
| PP300L, PP301L | Parapet adapter (corner) for LWM41 wall mount                  |
| PP400          | Parapet adapter (wall) for LWM41 wall mount                    |
| PP4348         | Parapet adapter (rooftop) for LWM41 wall mount                 |

## MISCELLANEOUS ACCESSORIES

|             |  |
|-------------|--|
| LL27 Series | Infrared illuminator                         |
| LL27LM      | Mounting bracket for LL27 Series illuminator |



### Pelco Worldwide Headquarters:

3500 Pelco Way, Clovis, California 93612-5699 USA  
**USA & Canada** Tel: (800) 289-9100 • FAX (800) 289-9150  
**International** Tel: (559) 292-1981 • FAX (559) 348-1120  
[www.pelco.com](http://www.pelco.com)

Pelco, the Pelco logo, Legacy, RediLINK, and Coaxitron are registered trademarks of Pelco. Delrin is a registered trademark of DuPont. Specifications subject to change without notice. ©Copyright 2002, Pelco. All rights reserved.