

PP100 Mount

PARAPET MOUNT, ESPRIT®, PS20, AND WM2000 ADAPTER

Product Features

- Rugged Construction
- Unique 360° Positioning
- Fast, Simple Installation
- Feedthrough Wiring
- Supports up to 75 lb (34 kg)
- Parapet Adapter for the EWM (Esprit®), PSWM (PS20 Scanner), and WM2000 Wall Mounts
- Mounts to Inside of Parapet
- Safety-Engineered to Eliminate Hazardous Installation and Servicing

The **PP100** is designed for use with our EWM (Esprit®), PSWM (PS20 Scanner), and WM2000 wall mounts. When used with the appropriate wall mount, you can mount an enclosure, pan/tilt, Esprit positioning system, or PS20 Series scanner to the inside of a parapet.

The **PP100** enables you to safely install and service equipment on rooftops. The mount can be rotated a full 360 degrees by simply loosening the U-bolts securing the tube assembly. Because of its versatile design, it can be positioned anywhere on the parapet, including corners.

The **PP100**, sturdy enough to support a maximum load of 75 pounds (34 kg), is equipped with mounting studs for easy attachment of the mount and has a 3.5-inch (8.89 cm) diameter feedthrough hole.

The **PP100** is versatile in that it can be used on any parapet with a minimum height of 18 inches (45.72 cm).



PP100 SHOWN WITH ENCLOSURE AND PAN/TILT MOUNTED ON WM2000 MOUNT



TECHNICAL SPECIFICATIONS

MODEL

PP100

Parapet adapter mount for use with EWM (Esprit®), PSWM (PS20 Scanner), and WM2000 wall mounts. Positions equipment anywhere on parapet, including corners. Minimum parapet height 18 inches (45.72 cm).

RELATED PRODUCTS

EWM

Wall mount for Esprit positioning system

PSWM

Wall mount for PS20 Series scanner

WM2000

Wall mount for pan/tilt or enclosure. (Requires PA2000/PA2010 adapter for pan/tilt or AH1000/AH2000 adapter for enclosure; refer to WM2000 specification sheet for details.)

MECHANICAL

Positioning Adjustment

Unlimited 360°

Adapter Mounting

4, 5/16-inch mounting studs (nuts and split lock washers provided)

Suggested

Mounting Method

Secure PP100 to parapet wall with 16 fasteners (not supplied); minimum 1/4-inch (6 mm) diameter recommended

GENERAL

Maximum Load

75 lb (34 kg)

Construction

Aluminum

Finish

Gray polyester powder coat

Weight

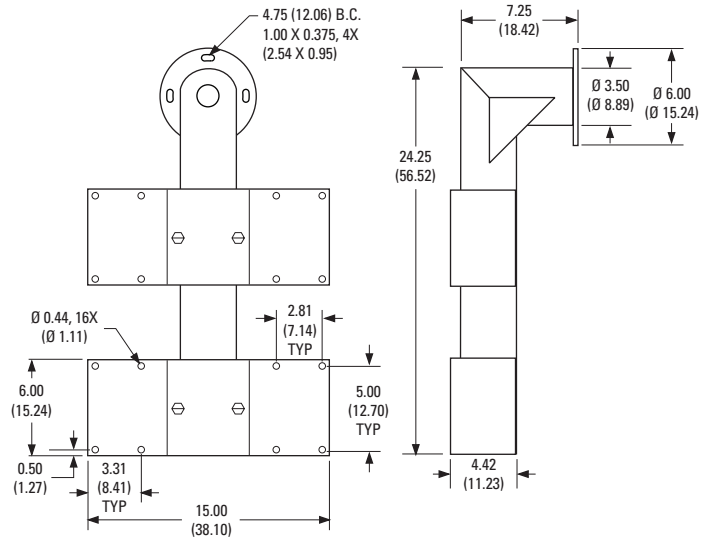
10 lb (4.50 kg)

Shipping Weight

13 lb (5.85 kg)

CERTIFICATIONS

- UL Listed



NOTE: VALUES IN PARENTHESES ARE CENTIMETERS; ALL OTHERS ARE INCHES.

Pelco, Inc. Worldwide Headquarters:

3500 Pelco Way, Clovis, California 93612-5699 USA

USA & Canada Tel: (800) 289-9100 • FAX: (800) 289-9150

International Tel: +1 (559) 292-1981 • FAX: +1 (559) 348-1120

www.pelco.com

Pelco, the Pelco logo, and Esprit are registered trademarks of Pelco, Inc. All product names and services identified throughout this document are trademarks or registered trademarks of their respective companies. The absence of a trademark or registered trademark from this document does not constitute a waiver of intellectual property rights. Product specifications and availability subject to change without notice.

©Copyright 2010, Pelco, Inc. All rights reserved.