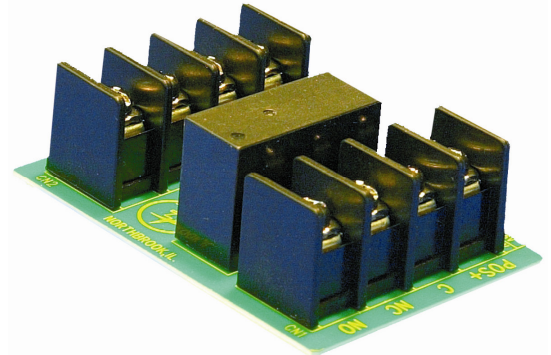




DESCRIPTION

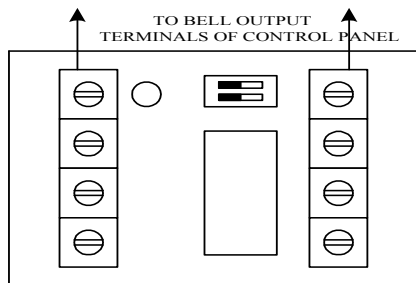
The P3REL-5 is used for dry or latching contact, polarity reversal and phone line seizure or other switching control. This device can be used in multiple applications for Access Control, CCTV or Security Systems.



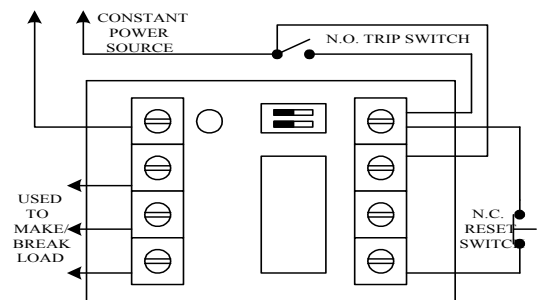
FEATURES / SPECIFICATIONS

- 6VDC or 12VDC selectable operation
- Wiring: Solid or stranded 12-22 AWG Terminals
- Coil draws 120mA.
- 5AMP/120VAC/28VDC DPDT contacts
- Lifetime warranty
- Board dimensions: 2.75" (L) x 1.9" (W) x .75" (H).

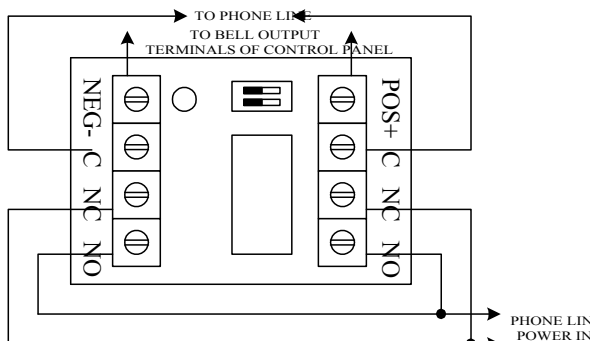
Dry Contacts



Latching Dry Contacts



Polarity Reversal



Line Seizure

