

# MPTAZ Series Control

## PAN/TILT, SCANNER, AND LENS FUNCTIONS

### Product Features

- Desktop or Rack Mount
- For use with 24 VAC and 120 VAC Pan/Tilts or Scanners
- AMP CPC-Type Connector Used for 120 VAC Models; Terminal Strip Supplied for 24 VAC Models
- Capable of Auto/Random Scan Operation

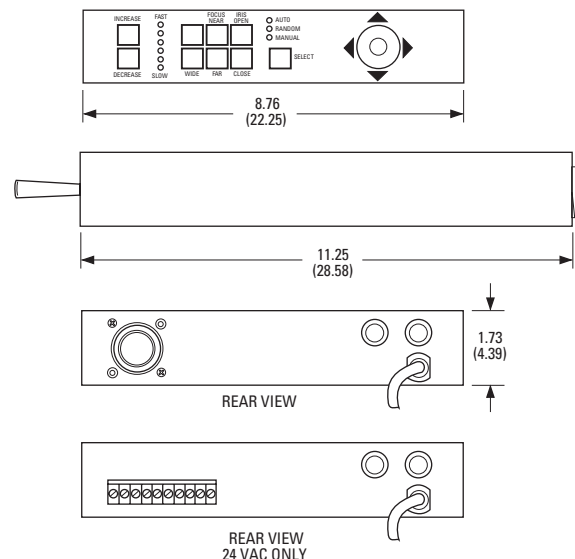


The **MPTAZ115DT** and **MPTAZ24DT** integrate pan/tilt, scanner and motorized zoom lens functions into one desktop control and are for use with 120 VAC and 24 VAC pan/tilts or scanners. This convenient control is also capable of auto/random scan operation. Random scan helps to increase the equipment life because its shorter duty cycle reduces gear train and drive motor wear, cable fatigue, and motor temperature rise. Auto scan operates with a time delay that automatically returns to random scan after approximately 30 minutes. In addition, the control offers an auto scan output pin for Pelco scanners. This output pin allows a scanner to auto scan when the unit is either in the random or auto setting. The control will operate a scanner in the manual mode using the left/right functions of the joystick.

Pan/tilt movements are controlled by an eight-position joystick control. Lens functions and speed are controlled by eight momentary push-button switches.

As with other Pelco controls, 24 VAC models can be used in conjunction with our RB24 or RB115 relay box to increase the operating distance (control to relay box).

An optional rack mount kit (R400) for mounting two control modules side-by-side is available. A blank filler plate is provided for applications using one control.



NOTE: VALUES IN PARENTHESES ARE CENTIMETERS; ALL OTHERS ARE INCHES.



# TECHNICAL SPECIFICATIONS

## MODELS

MPTAZ115DT	Desktop joystick control for 120 VAC pan/tilts, scanners, and Pelco motorized zoom lenses
MPTAZ24DT	Desktop joystick control for 24 VAC pan/tilts, scanners, and Pelco motorized zoom lenses
MPTAZ24DT/220	Same as MPTAZ24DT except 230 VAC input voltage

## CONTROLS

Zoom	Push-button momentary switch ZOOM TELE ZOOM WIDE
Focus	Push-button momentary switch NEAR FAR
Iris	Push-button momentary switch OPEN CLOSE
Lens Speed	Push-button momentary switch INCREASE DECREASE
Pan/Tilt	Joystick, 8-position (Up, down, left, right, and simultaneous combinations of pan/tilt functions)
Auto/Random Select	Push-button momentary switch SELECT
Indicator Lamps	Light emitting diode

## ELECTRICAL

Input Voltage MPTAZ115DT, MPTAZ24DT MPTAZ24DT/220	120 VAC, 50/60 Hz 230 VAC, 50/60 Hz
Output Voltage MPTAZ24DT, MPTAZ24DT/220 MPTAZ115DT	24 VAC 120 VAC
Lens Voltage	0-12 VDC
Fuse Protection MPTAZ115DT, MPTAZ24DT MPTAZ24DT/220	1 ASB 0.5 ASB
Power Cord	3-wire grounded, 18 AWG
Connectors MPTAZ115DT MPTAZ24DT, MPTAZ24DT/220	AMP CPC-type 10-position terminal strip
Conductor Requirements	(No additional conductors required for auto/random scan operation) 9 plus ground for MPTAZ115DT (when used with pan/tilt and lens) 8 plus ground for MPTAZ115DT (when used with scanner and lens) 9 and no ground for MPTAZ24DT or MPTAZ24DT/220 (when used with pan/tilt and lens) 8 and no ground for MPTAZ24DT or MPTAZ24DT/220 (when used with scanner and lens)

## Cable Distances

### Pan/Tilt

Refer to specifications for the specific pan/tilt to be used with the control.

### Lens

The following distances are approximate maximum recommended under the following conditions:

- Based on a 35 mA load at 12 VDC
- Single lens function activation
- 10% line loss in voltage at the lens motor

22 AWG (0.3 mm <sup>2</sup> )	1,062 feet (323 meters)
20 AWG (0.5 mm <sup>2</sup> )	1,688 feet (514 meters)
18 AWG (1.0 mm <sup>2</sup> )	2,686 feet (818 meters)

**Note:** Video is limited to 500 feet on RG59/U coaxial cable without equalization amplification.

## GENERAL

### Construction

Cover  
Chassis  
Panel

Steel, black polyester powder coat  
Steel, zinc plated  
Aluminum, black polyester powder coat with white silkscreen

### Unit Weight

MPTAZ115DT	5.17 lb (2.34 kg)
MPTAZ24DT	6.48 lb (2.94 kg)
MPTAZ24DT/220	6.59 lb (2.99 kg)

### Shipping Weight

MPTAZ115DT	7 lb (3.17 kg)
MPTAZ24DT	8 lb (3.62 kg)
MPTAZ24DT/220	9 lb (4.07 kg)

## CERTIFICATIONS

- CE, Class A (MPTAZ24DT/220)
- FCC, Class A (MPTAZ115DT, MPTAZ24DT)

## OPTIONS

### R400

Rack mount kit (1 RU) for MPTAZ series controls. Two controls can be racked together; blank filler plate provided for less than 2 modules.

### RB115

Relay box for 120 VAC pan/tilts and scanners. Extends operating distance (control to relay box) up to a maximum of 13,000 feet (3,962 m) utilizing 16 AWG. Use with 24 VAC output controls.

### RB24

Same as RB115 except for use with 24 VAC pan/tilts and scanners.



### Pelco Worldwide Headquarters:

3500 Pelco Way, Clovis, California 93612-5699 USA

**USA & Canada** Tel: (800) 289-9100 • FAX (800) 289-9150

**International** Tel: (559) 292-1981 • FAX (559) 348-1120

[www.pelco.com](http://www.pelco.com)

Pelco and the Pelco logo are registered trademarks of Pelco. Specifications subject to change without notice. ©Copyright 2005, Pelco. All rights reserved.