

GV-IO 12-Out Card V3

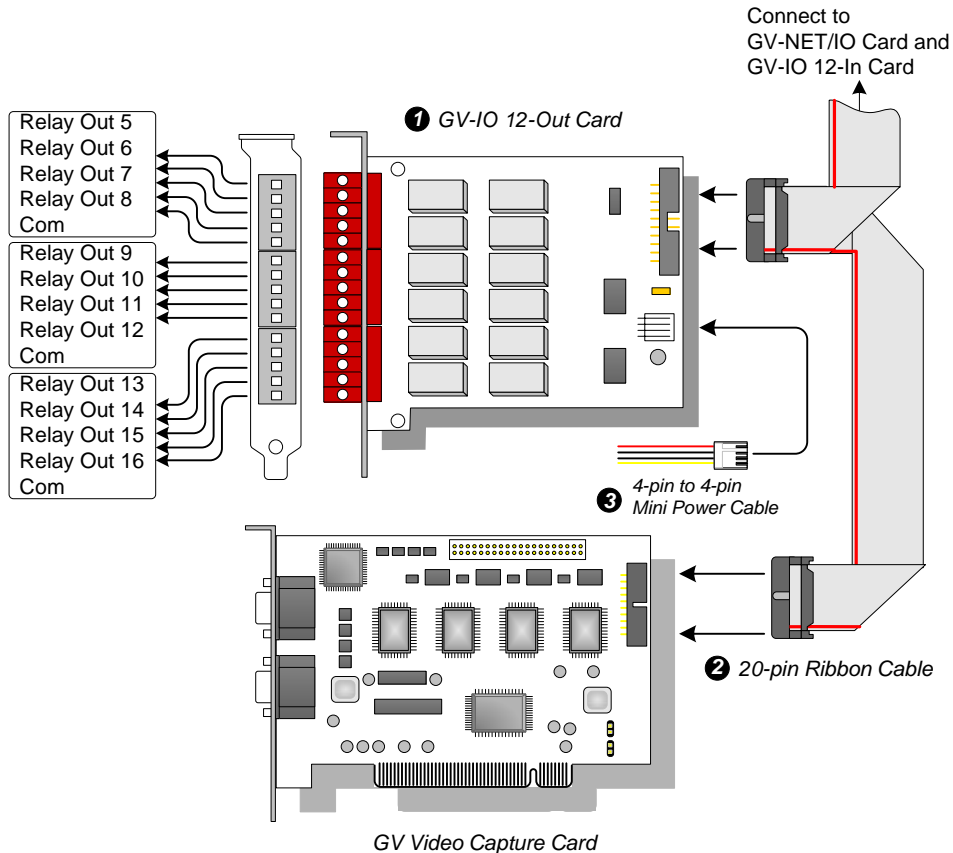
With 12 relay outputs, the GV-IO 12-Out Card is designed to work with GV-NET/IO Card to provide an interface for your external devices such as alarms and gates.

Installation

Insert the GV-IO 12-Out Card to an empty card slot. Connect the 20-pin Ribbon Cable to the Video Capture Card, the GV-IO 12-In Card, and the GV-NET/IO Card as shown below.

Packing List

- ❶ GV-IO 12-Out Card x 1
- ❷ 20-pin Ribbon Cable (4 Connectors) x 1
- ❸ 4-pin to 4-pin Mini Power Cable x 1



Specifications

Output	Relay Output	12	
	Relay Status	Normal Open	
	Relay Capacitance	USB Connection	30V DC, 3A
		RS-232 Connection	125 / 250V AC, 3A
DC IN	DC 5V, 1A		
Environmental Conditions	0~50 degree C, 5%~95% (non-condensing)		
Compatible Card Models	GV-600 V3, GV-650 V3, GV-800 V3, GV-900 V1.11, GV-1000 V1.21, GV-1120, GV-1240, GV-1480, GV-2004, GV-2008		
Dimesions	120 (W) x 99 (H) mm		



- Caution:**
1. To prevent the noise interference in I/O operation, tightly screw the GV-IO 12-Out Card to the PC case.
 2. The GV-IO 12-Out Card must work with the GV-NET/IO Card together.