

Installing Two GV-Combo A Cards (D-Type PCI-E)

You can install two video capture cards of the same model for a total of 32 channels. For example, 2 x GV-1480A Cards (16 channels) = 32 channels.

You can also implement two video capture cards of different channels. For example, GV-1120A Card (8 channels) + GV-1120A Card (12 channels) = 20 channels.

Note the GV-Combo A Card only works with GV-System V8.3.1.0.

Packing List (D-Type PCI-E)

- | | |
|--------------------------------|-------------------------------------|
| ❶ Combo A Card x 2 | ❾ 17-24 D-Type Audio Cable x 1 |
| ❷ Audio Extension Card x 2 | ❿ 25-32 D-Type Audio Cable x 1 |
| ❸ 1-8 D-Type Video Cable x 1 | ⓫ Internal Power Y Cable x 2 |
| ❹ 9-16 D-Type Video Cable x 1 | ⓬ Hardware Watchdog Jumper Wire x 1 |
| ❺ 17-24 D-Type Video Cable x 1 | ⓭ Software DVD x 1 |
| ❻ 25-32 D-Type Video Cable x 1 | ⓮ Feature Guide x 1 |
| ❼ 1-8 D-Type Audio Cable x 1 | ⓯ Installation Guide x1 |
| ❽ 9-16 D-Type Audio Cable x 1 | |

Minimum System Requirements

	GV-1120A x 2	GV-1240A x 2	GV-1480A x 2
OS	Windows 2000 / XP / Server 2003 / Vista		
Direct X	9.0c		
CPU	Pentium 4- 3.0 GHz, Dual Core	Core 2 Duo, 2.53 GHz	Core 2 Quad, 2.4 GHz
RAM	2 x 1 GB Dual Channels		
HDD	160 GB	250 GB	500 GB
VGA	ATI Radeon X1300 PCI-E / NVIDIA GeForce 7300 PCI-E		

Note:

- The hard disk space required to install GV-System must be at least 1 GB.
- Currently GV Video Capture Cards are not compatible with:
VIA-series and ATI-series chipset motherboards, 64-bit Windows operating system.
- The recording rate is set to 320 x 240 resolution by default.
- The PCI-E GV-Combo A Card has x1 interface, which can be inserted into the PCI Express x1, x4, x8 or x16 slot.
- This card only works when it connects to PC power supply.

Connections

1. Master and Slave Cards

Master Card is the GV Video Capture Card with 1-16 channels and Slave Card is the one with 17-32 channels. Normally, the card attached to the lower PCI slot number will act as Master, and the card attached to the higher PCI slot number will act as Slave.

2. For the user of D-Type PCI-E GV-Combo Cards

The two Combo A Cards only work when they connect to PC power supply with the supplied Internal Power Y Cables.

3. TV Output Connection

The RCA connector in the Master Card is for displaying 1-16 channels, and the one in the Slave Card is for displaying 17-32 channels.

4. Hardware Watchdog Connection

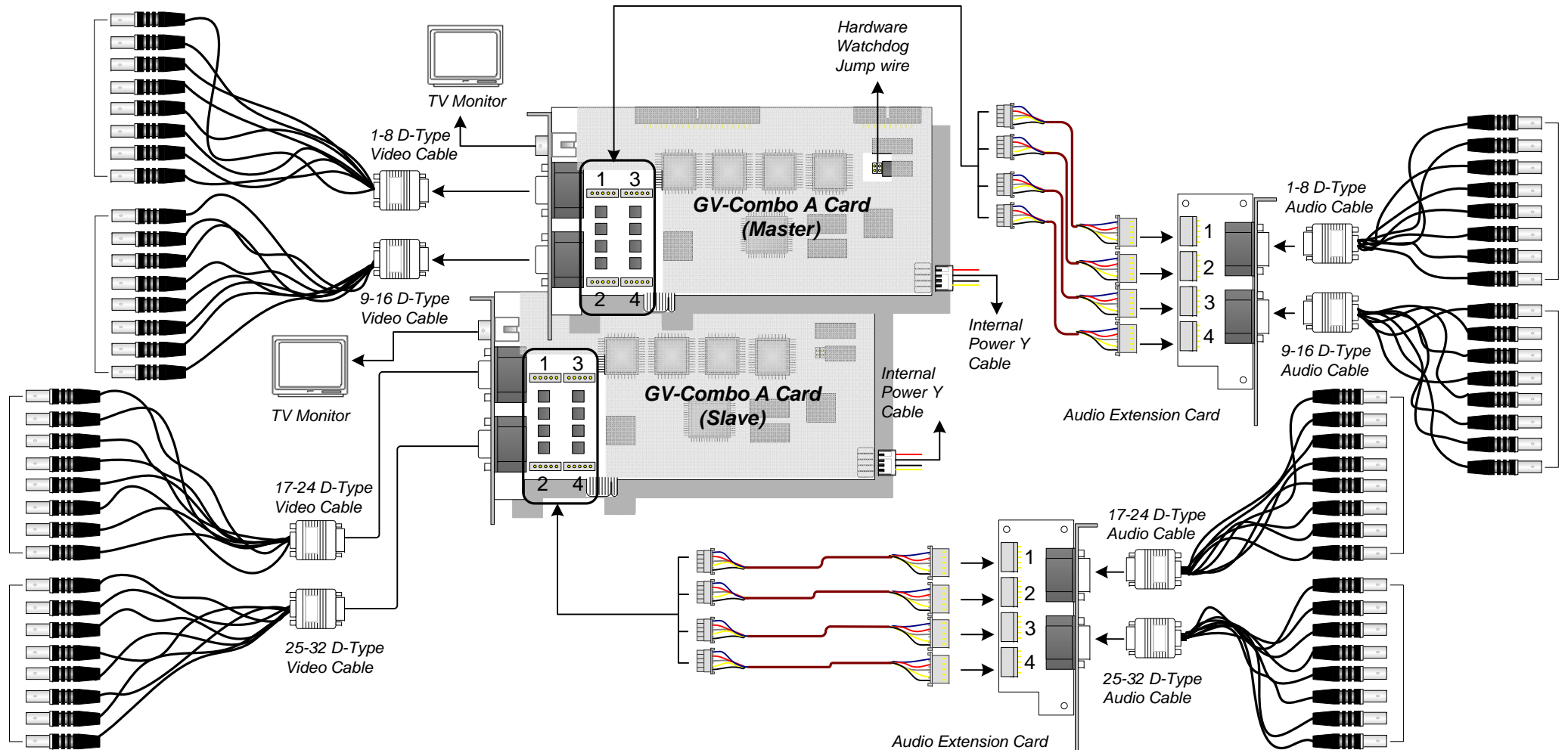
Connect the supplied Hardware Watchdog Jump Wire to the Master Card.

5. Accessory Card Connections

GV-NET/IO Card: Connect the card only to the Master Card.

GV-Loop Through Card: Connect the card for each Combo A Card.

GV-Multi Quad Card: Only connect one card to any of two Combo A Cards.



Specifications

		GV-1120A x 2	GV-1240A x 2	GV-1480A x 2	
Input Type		D-Type			
Video Input		16, 20, 24, 28, 32	16, 24, 32	32	
TV Output		RCA connector x 2			
Total Recording Rate	CIF	NTSC	240 fps	480 fps	960 fps
		PAL	200 fps	400 fps	800 fps
	D1	NTSC	160 fps	240 fps	480 fps
		PAL	140 fps	200 fps	400 fps
Display Rate	CIF	NTSC	960 fps	960 fps	960 fps
		PAL	800 fps	800 fps	800 fps
	D1	NTSC	960 fps	960 fps	960 fps
		PAL	800 fps	800 fps	800 fps
Video Codec		Geo MPEG4, Geo MPEG4 (ASP), Geo H264, Geo H264 V2			
Video Resolution		NTSC	720 x 480, 720 x 480 De-interlace, 640 x 480, 640 x 480 De-interlace, 360 x 240, 320 x 240		
		PAL	720 x 576, 720 x 576 De-interlace, 640 x 480, 640 x 480 De-interlace, 360 x 288, 320 x 240		
Audio Input		16, 20, 24, 28, 32	16, 24, 32	32	
GV-Multi Quad Card Support		<input type="radio"/>	<input type="radio"/>	<input type="radio"/>	
GV-Loop Through Card Support		<input type="radio"/>	<input type="radio"/>	<input type="radio"/>	
GV-NET/IO Card Support		<input type="radio"/>	<input type="radio"/>	<input type="radio"/>	

Turbo Mode

Turbo mode allows recording at the highest speed that GV-Combo A Card can provide at the VGA and D1 resolutions.

Total Recording Rate (NTSC/PAL)

	GV-1120A x 2	GV-1240A x 2	GV-1480A x 2
VGA	160 / 144 fps	240 / 200 fps	480 / 400 fps
D1	160 / 144 fps	240 / 200 fps	480 / 400 fps
Turbo VGA	240 / 200 fps	480 / 400 fps	832 / 800 fps
Turbo D1	240 / 200 fps	480 / 400 fps	704 / 640 fps

Minimum System Requirements

CPU	GV-1120A x 2	Core 2 Quad-2.4 GHz
	GV-1240A x 2	Core 2 Quad-2.8 GHz
	GV-1480A x 2	Core i7 920-2.66 GHz
RAM	2 x 1 GB Dual Channels	
VGA	ATI Radeon X1300 PCI-E / NVIDIA GeForce 7300 PCI-E	
HDD	GV-1120A x2	250 GB
	GV-1240A x 2	320 GB
	GV-1480A x 2	750 GB

Note: When Turbo Mode is activated, the DSP (Real-Time Display) and TV-Out functions will be disabled.

Activating Turbo Mode

1. Click **Configure**, select **A/V Setting** and select **Video Source**. The Video Source dialog box appears.
2. Use the drop-down list to select the Video Resolution. If D1 or VGA resolution is selected, the **Turbo Mode** option will appear.
3. Select **Turbo mode**, and click **OK**.
4. You will be prompted to restart the GV-System. Restart the GV-System to take effect.