



EH5700 Series Enclosure

OUTDOOR, LARGE

Product Features

- All-Aluminum Construction
- Gas-Spring-Assisted Forward-Opening Lid
- Cable Entry Glands and Mounting Holes Located on Bottom of Enclosure
- Link-Lock Latches for Security
- Designed for Indoor/Outdoor Applications
- For Use with Fixed Mount or Pan/Tilt
- Special Options Include 120 VAC Outlet, Preset Lens Wiring Harness, and Window Wiper



EH5723



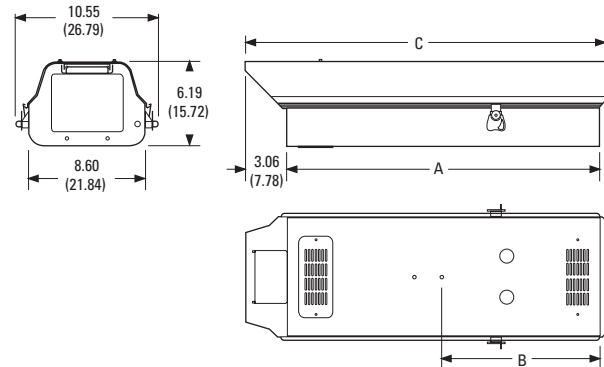
ENCLOSURE WITH SUN SHROUD

The **EH5700 Series** are indoor/outdoor enclosures designed for use with Pelco's medium- and heavy-duty pan/tilts or fixed mounts. Constructed of aluminum and available in a 23-inch (58.42 cm) length (**EH5723**) and 29-inch (73.66 cm) length (**EH5729**), these enclosures are designed to accept larger format cameras with either fixed focal length lenses or motorized zoom lenses.

The enclosure opens from the rear. The forward-opening lid allows for maximum accessibility during installation and when camera and lens adjustments are necessary. A gas spring securely holds the lid when fully opened. The lid is secured with side-mount link-lock latches. If desired, the latches can be secured with a padlock of suitable size for additional security.

All models feature an adjustable camera sled with a built-in elevation block that can be removed and inverted. The **EH5700 Series** enclosures are available with a full complement of accessories which include blower, heater, window defroster, sun shroud, window wiper, preset lens wiring harness, 120 VAC outlet, and thermal insulation.

The **EH5700 Series** can be used in fixed mount applications or mounted to a PT570 Series medium duty pan/tilt or PT1250 Series heavy duty pan/tilt.



MODEL	A	B	C
EH5723	23.00 (58.42)	11.50 (29.21)	26.50 (67.31)
EH5729	29.00 (73.66)	14.50 (36.83)	32.50 (82.55)

NOTE: VALUES IN PARENTHESES ARE CENTIMETERS; ALL OTHERS ARE INCHES.



TECHNICAL SPECIFICATIONS

MODELS

Model Number	Basic Enclosure	120 VAC	24 VAC	230 VAC	Heater	Defroster	Blower	Max. Power Consumption*
EH5723	•							
EH5723-1		•			•		•	105W
EH5723-2			•		•		•	60W
EH5723-3				•	•		•	85W
EH5729	•							
EH5729-1		•			•		•	105W
EH5729-2			•		•		•	60W
EH5729-3				•	•		•	85W

*If optional defroster is used, add 30W to consumption

ELECTRICAL

Input Voltage	24, 120 or 230 VAC, 50/60 Hz
Electrical Connection	Connectors for power input, lens, camera and accessories (-1/-2/-3 models only)
<i>(-1/-2/-3 models only)</i>	Heater and defroster activate on at 42-58°F (6-14°C) and off at 72-88°F (22-31°C). Blower activates on at 77-93°F (25-34°C) and off at 62-78°F (17-26°C)

MECHANICAL

Camera Mounting	Removable camera sled; can be inverted
Cable Entry	Two PG13.5 UL glands on bottom of enclosure; 0.47-inch (1.19 cm) maximum cable diameter
Cable Entry Holes	0.875-inch (2.22 cm) diameter; will accept 0.5-inch (1.27 cm) conduit fitting when compression gland is removed
Connectors	
Video	BNC
Camera Sync	BNC
Latches	Link-lock No. 3, stainless steel; can be secured with padlocks (not supplied) EH5723 Series (2), EH5729 Series (4)

GENERAL

Maximum Camera and Lens Size	Accepts camera and lens combinations* (including BNC connector) up to:
EH5723	22" L x 7.5" W x 5.5" H (55.88 x 19.05 x 13.97 cm)
EH5723-1/-2/-3	15.5" L x 6.25" W x 5.5" H (39.37 x 15.88 x 13.97 cm)
EH5729	28" L x 7.5" W x 5.5" H (71.12 x 19.05 x 13.97 cm)
EH5729-1/-2/-3	21.5" L x 6.25" W x 5.5" H (54.61 x 15.88 x 13.97 cm)
Viewing Window	Glass, 0.25-inch (6.35 mm) thick 4.25" H x 5.25" W (10.79 x 13.33 cm)
Construction	Aluminum, 0.080-inch (0.20 cm) thick (body and lid)
Finish	Gray polyester powder coat
Environment	Indoor/outdoor; -10° to 120°F (-23° to 49°C)

*Assumes lens is fully extended.

Weight	Unit	Shipping
EH5723	11 lb (4.98 kg)	12 lb (5.43 kg)
EH5723-1,-2,-3	13 lb (5.88 kg)	15 lb (6.79 kg)
EH5729	16 lb (7.24 kg)	18 lb (8.15 kg)
EH5729-1,-2,-3	18 lb (8.15 kg)	20 lb (9.06 kg)

CERTIFICATIONS/RATINGS/PATENTS

- CE Class A (models EH5723/-2/-3 and EH5729/-2/-3)
- UL Listed (except 230 VAC models)
- UL Listed to Canadian safety standards (except 230 VAC models)
- Meets NEMA Type 3R standards
- U.S. patent 307,915

OPTIONAL ACCESSORIES

Blower Kit	BK57-1* BK57-2* BK57-3*	Blower kit, 120 VAC, 15W Blower kit, 24 VAC, 10W Blower kit, 230 VAC, 15W
Heater Kit	HK57-1* HK57-2* HK57-3*	Heater kit, 120 VAC, 90W Heater kit, 24 VAC, 50W Heater kit, 230 VAC, 70W
Sun Shroud	SS5723 SS5729	Sun shroud for EH5723 series enclosures Sun shroud for EH5729 series enclosures
Window Defroster	WD57-1* WD57-2* WD57-3*	Window defroster, 120 VAC, 30W Window defroster, 24 VAC, 30W Window defroster, 230 VAC, 30W
Window Wiper	WW5723-1*† WW5723-2*† WW5723-3*† WW5729-1*† WW5729-2*† WW5729-3*†	Window wiper, EH5723 series, 120 VAC, 15W Window wiper, EH5723 series, 24 VAC, 15W Window wiper, EH5723 series, 230 VAC, 15W Window wiper, EH5729 series, 120 VAC, 15W Window wiper, EH5729 series, 24 VAC, 15W Window wiper, EH5729 series, 230 VAC, 15W
Other	O/I-PCB O/I-LPP* O/I-OUTLET* TI57	Accessory interface board; thermostatically controls heater, blower, and defroster operation (one per enclosure required) Preset position lens wire harness 120 VAC electrical convenience outlet Thermal insulation, EH5723/EH5729 series

*These accessories are factory wired with a plug-in connector for use with the O/I-PCB. The O/I-PCB is included with all -1/-2/-3 models. You must order one O/I-PCB if you are using a basic enclosure (EH5723 or EH5729) with these optional accessories.

†Factory installed option only; consult factory for availability.

RECOMMENDED MOUNTS

Pedestal	MM22	Medium duty pedestal mount; maximum load 40 lb (18.14 kg)
	PM2000, PM2010**	Pedestal mount; maximum load 125 lb (56.6 kg)
Wall	EM22	Medium duty wall mount; maximum load 40 lb (18.14 kg)
	WM2000**	Wall mount; maximum load 75 lb (33.97 kg)
Adapter	AH2000	Adjustable head

**Use with AH2000 adjustable head.

RECOMMENDED PAN/TILTS

PT570 Series	Medium duty pan/tilt, 120 VAC or 24 VAC; maximum load 40 lb (18.14 kg)
PT1250 Series	Heavy duty pan/tilt, 120 VAC or 230 VAC; maximum load 100 lb (45.4 kg)



Pelco Worldwide Headquarters:
3500 Pelco Way, Clovis, California 93612-5699 USA
USA & Canada Tel: (800) 289-9100 • FAX (800) 289-9150
International Tel: (559) 292-1981 • FAX (559) 348-1120
www.pelco.com

Pelco and the Pelco logo are registered trademarks of Pelco.
Specifications subject to change without notice.
©Copyright 2002, Pelco. All rights reserved.