



CC3751H-2/CC3651H-2X Digital CCD Color Camera

LOWLIGHT™ DSS, 1/3-INCH, HIGH RESOLUTION, 480 TVL (NTSC/PAL)

Product Features

- LowLight™ Technology
- Compact Body Style, Shorter Overall Than Most Full-Featured CCD Cameras
- 1/3-Inch Format CCD Imager
- C/CS Lens Mount
- 24 VAC/12 VDC Power
- Line Lock With Phase Adjustment
- Backlight Compensation
- Horizontal Resolution of 480 TV Lines
- For Use with Direct Drive and Auto Iris Lenses or Fixed/Manual Iris Lenses
- Removable Top/Bottom Mount
- Low Profile Mounting Block
- Optional Integral Feedthrough Mount



(LENS AND MOUNT NOT SUPPLIED WITH CAMERA)

Designed and manufactured in the USA, the **CC3751H-2** and **CC3651H-2X** color cameras have extended digital slow shutter (DSS) settings to enhance the low-light performance of the camera. DSS settings slow the picture frame rate and increase the camera's sensitivity in low light conditions. Light sensitivity increases as the number of fields of integration increase. The cameras have four DSS settings

- Off to disable the DSS mode
- Four fields of integration maximum (1/15-second update rate)
- Fifteen fields of integration maximum (1/4-second update rate)
- Thirty fields of integration maximum (1/2-second update rate)

The **CC3751H-2** and **CC3651H-2X** have a 1/3-inch imager and produce a horizontal resolution of 480 TV lines. Special camera settings include electronic shutter control, phase adjustment, enhanced sharpness, long line compensation, backlight compensation, and automatic gain control.

The cameras also have a direct drive/auto iris lens connector and adjustable back focus for C/CS lenses. Back focus adjustment is simple with the easy-to-grip thumb wheel, accessible from the top or bottom of the camera.

Smaller than most full-featured CCD cameras, the **CC3751H-2** and **CC3651H-2X** are ideal for use with one of Pelco's smaller enclosures (EH100, EH3500, EH2500, EH2020, and EH2100). Pelco has a wide selection of fixed and varifocal lenses available for the cameras to meet your installation requirements.

The **CC3751H-2** and **CC3651H-2X** are quick and easy to install and ideal for use in confined spaces. The cameras have a quick-connect power connection, BNC video connector, and a removable mount adapter for top or bottom mounting.

Accessories include the PCM100 camera mount designed specifically for the **CC3751H-2** and **CC3651H-2X**. This adjustable mount has no exposed cabling or hardware. All cable is integrated in the unit making installation quick and easy. The PCM100 can be installed directly to a wall or ceiling, or it can be adapted to a standard 2 x 4-inch (5.08 x 10.16 cm) electrical box.



C1988 / REVISED 1-07



U.S. Patent 0460,773

International Standards Organization Registered Firm; ISO 9001 Quality System



TECHNICAL SPECIFICATIONS

MODELS

CC3751H-2	1/3-inch high resolution digital color CCD camera, 480 TVL, NTSC format
CC3651H-2X	1/3-inch high resolution digital color CCD camera, 480 TVL, PAL format

GENERAL

Imaging Device	1/3-inch interline transfer CCD
Picture Elements	
CC3751H-2	768 (H) x 494 (V)
CC3651H-2X	795 (H) x 696 (V)
Sensing Area	
CC3751H-2	6 mm diagonal
CC3651H-2X	6.3 mm (H) x 4.7 mm (V)
Scanning System	
CC3751H-2	525 lines, 2:1 interlace
CC3651H-2X	625 lines, 2:1 interlace
Synchronization System	AC line lock/internal
Horizontal Resolution	480 TV lines
Iris Control	Electronic/passive
Minimum Illumination	0.01 lux, f1.2, 40 IRE, AGC on, 75% reflectance
Signal-to-Noise Ratio	50 dB
Gain Control	Automatic
Vertical Phase	Adjustable 0° ±170°
Backlight Compensation	Selectable by DIP switch setting
Signal Processing	DSP
Auto Iris Lens Type	DC/video control
Video Output	1 Vp-p, 75 ohms
Electronic Shutter	
Control Range	1/60-1/100,000 second

ELECTRICAL

Power Requirements	18-30 VAC or 10-36 VDC
Power Consumption	Less than 3.3 watts
Power Connector	2-pin terminal strip, push-in type
Video Connector	BNC
Lens Jack	4-pin connector (miniature square with screw lock)

MECHANICAL

Lens Mount	C/CS mount (adjustable)
Camera Mount	1/4-inch UNC-20 screw, top and bottom of camera housing

ENVIRONMENTAL

Operating Temperature	14° to 122°F (-10° to 50°C)
Storage Temperature	14° to 158°F (-10° to 70°C)

PHYSICAL

Weight (without lens)	0.77 lb (0.35 kg)
Shipping Weight	2 lb (0.9 kg) approximate

CERTIFICATIONS/PATENTS

- CE, Class B (CC3751H-2)/Class A (CC3651H-2X)
- UL Listed
- UL Listed to Canadian safety standards
- Complies with Argentina compliance requirements under Res. 92/98
- FCC, Class B
- U.S. Patent D460,773

RECOMMENDED MOUNTS

BS1750/CM1750/ CM1750S/TB1750	Adjustable swivel head camera mounts for wall, ceiling, or pedestal mounting.
PCM100	Adjustable camera mount for wall or ceiling application. Includes inte-grated cable for easy plug and play operation. Can also be adapted to a standard 2 x 4-inch (5.08 x 10.16 cm) electrical box.

RECOMMENDED POWER SUPPLIES

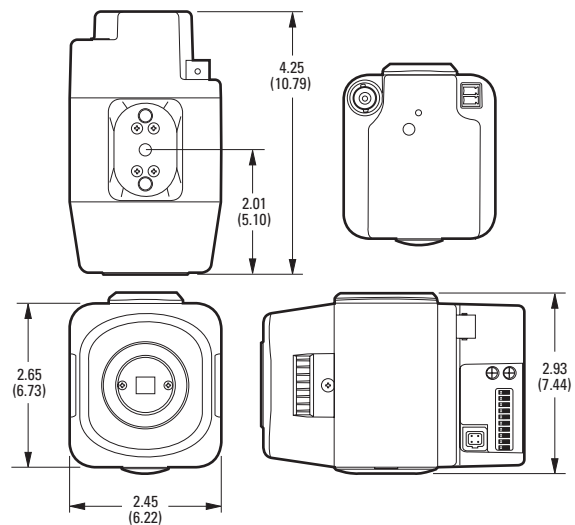
TF2000	Power supply for one 24 VAC camera, 20 VA
MCS Series	Multiple 24 VAC camera power supply, indoor
WCS Series	Single/multiple 24 VAC camera power supply, outdoor

RECOMMENDED LENSES

13FA, FD Series	Fixed focal length lenses, 1/3-inch format. FA manual iris; FD (auto iris, DD).
13VA, VD Series	Varifocal lenses, 1/3-inch format. VA (manual iris); VD (auto iris, DD).
13ZD Series	Motorized zoom lenses, 1/3-inch format (auto iris, DD).

LENS ACCESSORIES

LDC100	Auto iris drive converter. Converts a DC-drive auto iris lens to a video drive auto iris lens. Compatible with all lens size formats.
--------	---



NOTE: VALUES IN PARENTHESES ARE CENTIMETERS; ALL OTHERS ARE INCHES.

NOTE: For outdoor camera installations, a Pelco enclosure is recommended.



Pelco Worldwide Headquarters:
3500 Pelco Way, Clovis, California 93612-5699 USA
USA & Canada Tel: (800) 289-9100 • FAX (800) 289-9150
International Tel: (559) 292-1981 • FAX (559) 348-1120
www.pelco.com

Pelco and the Pelco logo are registered trademarks of Pelco. Specifications subject to change without notice. ©Copyright 2007, Pelco. All rights reserved.